



(en) *Operator's Manual*

(da) *Betjeningsvejledning*

(de) *Bedienungsanleitung*

(el) *Εγχειρίδιο Χρήσης*

(es) *Manual del Operario*

(fi) *Käyttäjän käsikirja*

(fr) *Manuel d'utilisation*

(it) *Manuale dell'Operatore*

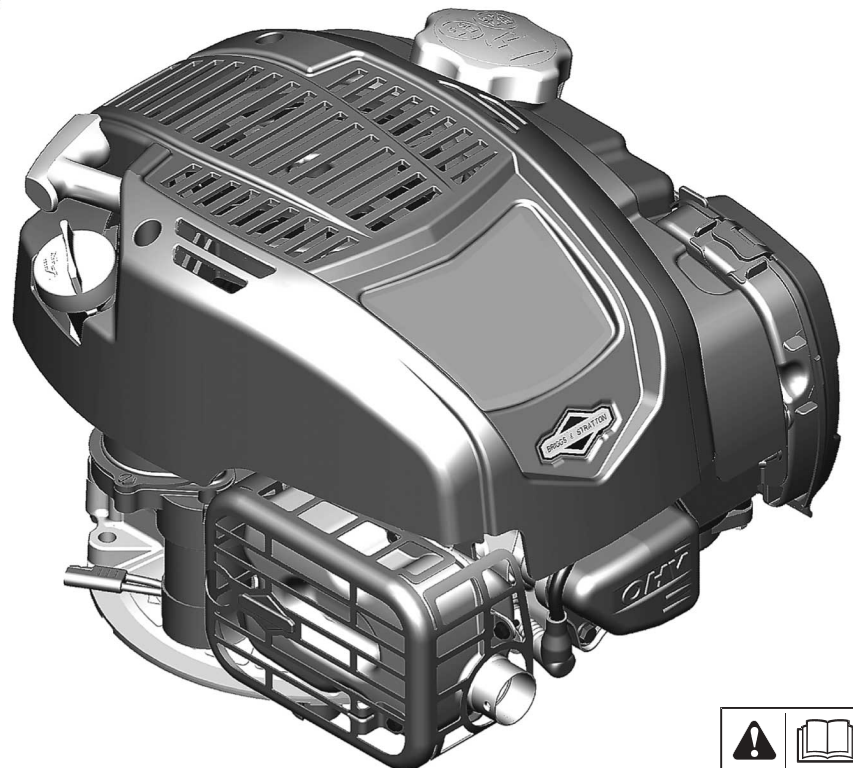
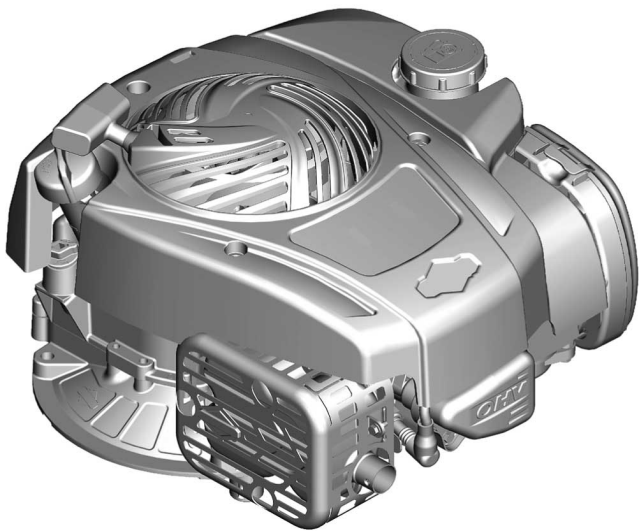
(nl) *Gebruiksaanwijzing*

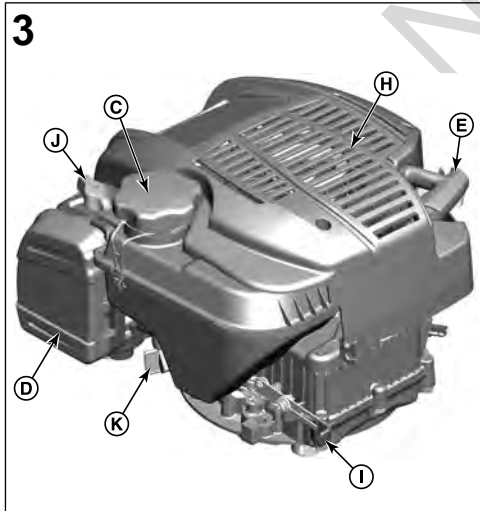
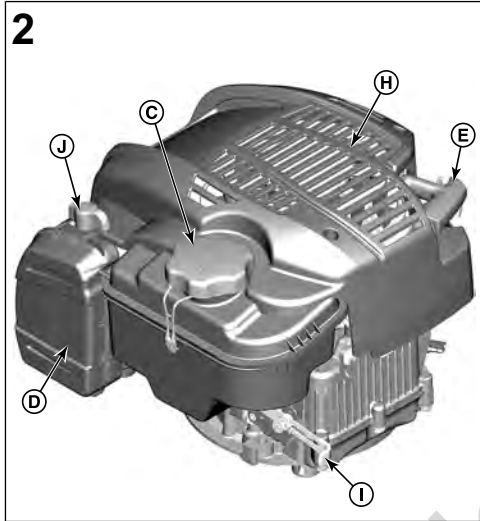
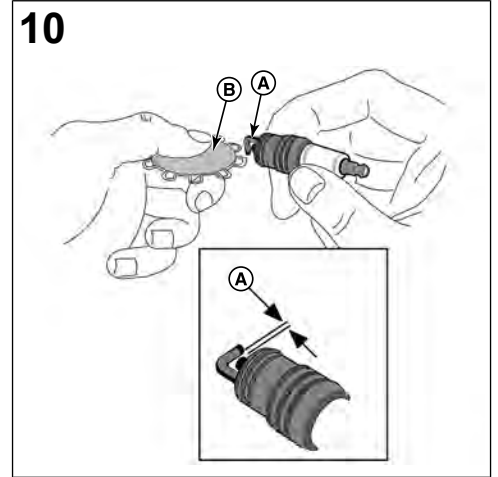
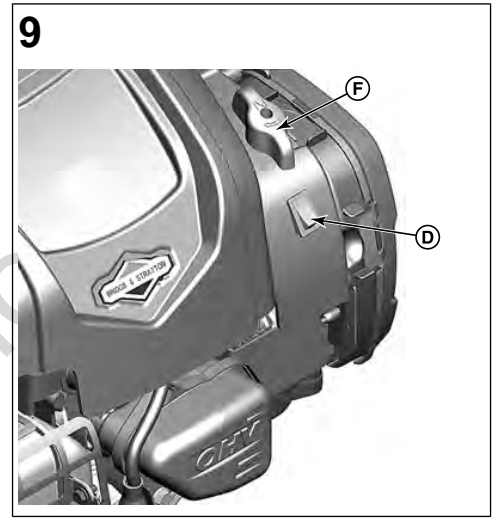
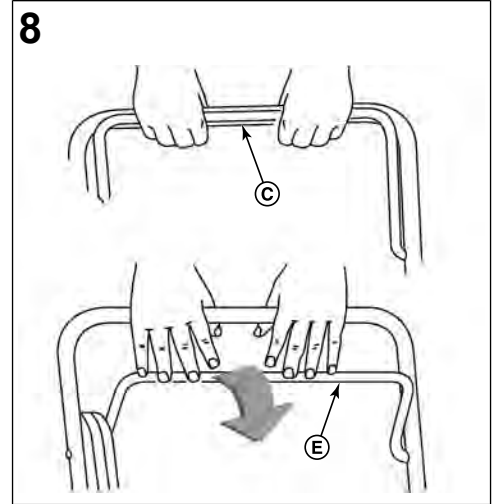
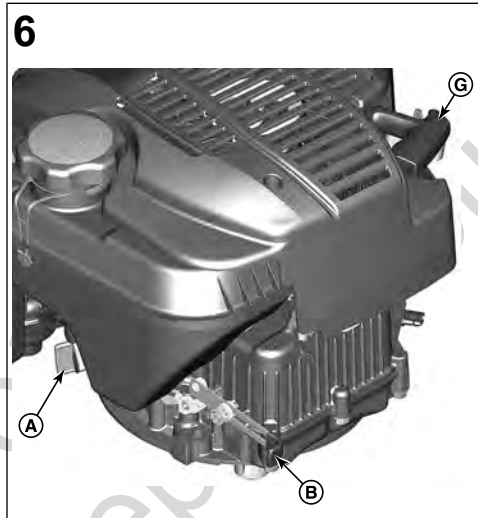
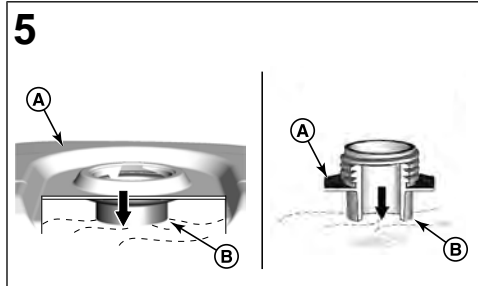
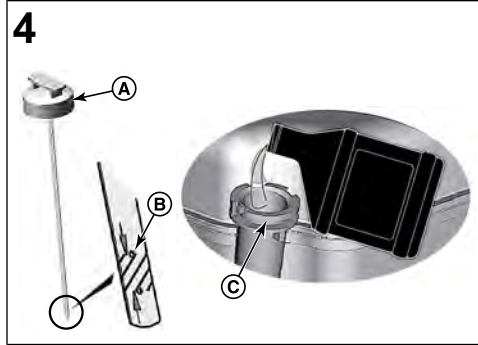
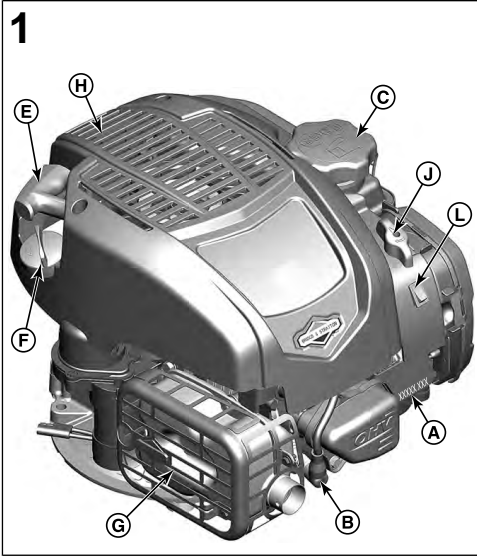
(no) *Brukerhåndbok*

(pt) *Manual do Operador*

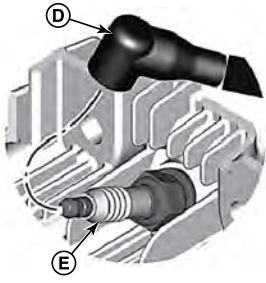
(sv) *Instruktionsbok*

Models: 10000
093J00

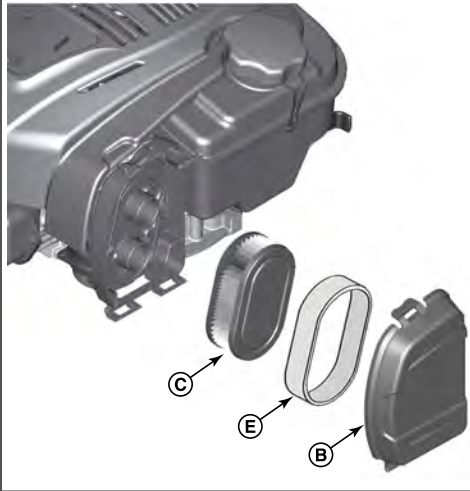




11



14



12



13



Not for
Reproduction

This manual contains safety information to make you aware of the hazards and risks associated with engines and how to avoid them. It also contains instructions for the proper use and care of the engine. Because Briggs & Stratton Corporation does not necessarily know what equipment this engine will power, it is important that you read and understand these instructions and the instructions for the equipment. **Save these original instructions for future reference.**

Note: The figures and illustrations in this manual are provided for reference only and may differ from your specific model. Contact your dealer if you have questions.

For replacement parts or technical assistance, record below the engine model, type, and code numbers along with the date of purchase. These numbers are located on your engine (see the **Features and Controls** section).

Date of Purchase	
Engine Model - Type - Trim	
Engine Serial Number	

Look for the 2D barcode located on some engines. When viewed with a 2D-capable device, the code will bring up our website where you can access support information for this product. Data rates apply. Some countries may not have online support information available.



Recycling Information

		All packaging, used oil, and batteries should be recycled according to applicable government regulations.
--	--	---

Operator Safety

Safety Alert Symbol and Signal Words

The safety alert symbol is used to identify safety information about hazards that can result in personal injury. A signal word (DANGER, WARNING, or CAUTION) is used with the alert symbol to indicate the likelihood and the potential severity of injury. In addition, a hazard symbol may be used to represent the type of hazard.

DANGER indicates a hazard which, if not avoided, **will result in death or serious injury.**

WARNING indicates a hazard which, if not avoided, **could result in death or serious injury.**

CAUTION indicates a hazard which, if not avoided, **could result in minor or moderate injury.**

NOTICE indicates an situation that **could result in damage to the product.**

Hazard Symbols and Meanings

Symbol	Meaning	Symbol	Meaning
	Safety information about hazards that can result in personal injury.		Read and understand the Operator's Manual before operating or servicing the unit.
	Fire hazard		Explosion hazard

Symbol	Meaning	Symbol	Meaning
	Shock hazard		Toxic fume hazard
	Hot surface hazard		Noise hazard - Ear protection recommended for extended use.
	Thrown object hazard - Wear eye protection.		Explosion hazard
	Frostbite hazard		Kickback hazard
	Amputation hazard - moving parts		Chemical Hazard
	Thermal heat hazard		Corrosive

Safety Messages



WARNING

Certain components in this product and its related accessories contain chemicals known to the State of California to cause cancer, birth defects, or other reproductive harm. Wash hands after handling.



WARNING

The engine exhaust from this product contains chemicals known to the State of California to cause cancer, birth defects, or other reproductive harm.



WARNING

Briggs & Stratton Engines are not designed for and are not to be used to power: fun-karts; go-karts; children's, recreational, or sport all-terrain vehicles (ATVs); motorbikes; hovercraft; aircraft products; or vehicles used in competitive events not sanctioned by Briggs & Stratton. For information about competitive racing products, see www.briggsracing.com. For use with utility and side-by-side ATVs, please contact Briggs & Stratton Engine Application Center, 1-866-927-3349. Improper engine application may result in serious injury or death.

NOTICE

This engine was shipped from Briggs & Stratton without oil. Before you start the engine, make sure you add oil according to the instructions in this manual. If you start the engine without oil, it will be damaged beyond repair and will not be covered under warranty.



WARNING



Fuel and its vapors are extremely flammable and explosive.

Fire or explosion can cause severe burns or death.

When Adding Fuel

- Turn engine off and let engine cool at least 2 minutes before removing the fuel cap.
- Fill fuel tank outdoors or in well-ventilated area.
- Do not overfill fuel tank. To allow for expansion of the fuel, do not fill above the bottom of the fuel tank neck.
- Keep fuel away from sparks, open flames, pilot lights, heat, and other ignition sources.

- Check fuel lines, tank, cap, and fittings frequently for cracks or leaks. Replace if necessary.
- If fuel spills, wait until it evaporates before starting engine.

When Starting Engine

- Ensure that spark plug, muffler, fuel cap and air cleaner (if equipped) are in place and secured.
- Do not crank engine with spark plug removed.
- If engine floods, set choke (if equipped) to OPEN / RUN position, move throttle (if equipped) to FAST position and crank until engine starts.

When Operating Equipment

- Do not tip engine or equipment at angle which causes fuel to spill.
- Do not choke the carburetor to stop engine.
- Never start or run the engine with the air cleaner assembly (if equipped) or the air filter (if equipped) removed.

When Changing Oil

- If you drain the oil from the top oil fill tube, the fuel tank must be empty or fuel can leak out and result in a fire or explosion.

When Tipping Unit for Maintenance

- When performing maintenance that requires the unit to be tipped, the fuel tank, if mounted on the engine, must be empty or fuel can leak out and result in a fire or explosion.

When Transporting Equipment

- Transport with fuel tank EMPTY or with fuel shut-off valve in the CLOSED position.

When Storing Fuel Or Equipment With Fuel In Tank

- Store away from furnaces, stoves, water heaters or other appliances that have pilot lights or other ignition sources because they can ignite fuel vapors.



Starting engine creates sparking.

Sparking can ignite nearby flammable gases.

Explosion and fire could result.

- If there is natural or LP gas leakage in area, do not start engine.
- Do not use pressurized starting fluids because vapors are flammable.



POISONOUS GAS HAZARD. Engine exhaust contains carbon monoxide, a poisonous gas that could kill you in minutes. You CANNOT see it, smell it, or taste it. Even if you do not smell exhaust fumes, you could still be exposed to carbon monoxide gas. If you start to feel sick, dizzy, or weak while using this product, get to fresh air RIGHT AWAY. See a doctor. You may have carbon monoxide poisoning.

- Operate this product ONLY outside far away from windows, doors and vents to reduce the risk of carbon monoxide gas from accumulating and potentially being drawn towards occupied spaces.
- Install battery-operated carbon monoxide alarms or plug-in carbon monoxide alarms with battery back-up according to the manufacturer's instructions. Smoke alarms cannot detect carbon monoxide gas.
- DO NOT run this product inside homes, garages, basements, crawlspaces, sheds, or other partially-enclosed spaces even if using fans or opening doors and windows for ventilation. Carbon monoxide can quickly build up in these spaces and can linger for hours, even after this product has shut off.
- ALWAYS place this product downwind and point the engine exhaust away from occupied spaces.



Rapid retraction of starter cord (kickback) will pull hand and arm toward engine faster than you can let go.

Broken bones, fractures, bruises or sprains could result.

- When starting engine, pull the starter cord slowly until resistance is felt and then pull rapidly to avoid kickback.
- Remove all external equipment / engine loads before starting engine.
- Direct-coupled equipment components such as, but not limited to, blades, impellers, pulleys, sprockets, etc., must be securely attached.



Rotating parts can contact or entangle hands, feet, hair, clothing, or accessories.

Traumatic amputation or severe laceration can result.

- Operate equipment with guards in place.
- Keep hands and feet away from rotating parts.
- Tie up long hair and remove jewelry.
- Do not wear loose-fitting clothing, dangling drawstrings or items that could become caught.



Running engines produce heat. Engine parts, especially muffler, become extremely hot.

Severe thermal burns can occur on contact.

Combustible debris, such as leaves, grass, brush, etc. can catch fire.

- Allow muffler, engine cylinder and fins to cool before touching.
- Remove accumulated debris from muffler area and cylinder area.
- It is a violation of California Public Resource Code, Section 4442, to use or operate the engine on any forest-covered, brush-covered, or grass-covered land unless the exhaust system is equipped with a spark arrester, as defined in Section 4442, maintained in effective working order. Other states or federal jurisdictions may have similar laws. Contact the original equipment manufacturer, retailer, or dealer to obtain a spark arrester designed for the exhaust system installed on this engine.



Unintentional sparking can result in fire or electric shock.

Unintentional start-up can result in entanglement, traumatic amputation, or laceration.

Fire hazard

Before performing adjustments or repairs:

- Disconnect the spark plug wire and keep it away from the spark plug.
- Disconnect battery at negative terminal (only engines with electric start.)
- Use only correct tools.
- Do not tamper with governor spring, links or other parts to increase engine speed.
- Replacement parts must be of the same design and installed in the same position as the original parts. Other parts may not perform as well, may damage the unit, and may result in injury.
- Do not strike the flywheel with a hammer or hard object because the flywheel may later shatter during operation.

When testing for spark:

- Use approved spark plug tester.
- Do not check for spark with spark plug removed.

Features and Controls

Engine Controls

Compare the illustration (Figure: 1, 2, 3) with your engine to familiarize yourself with the location of various features and controls.

- Engine Identification Numbers **Model - Type - Code**
- Spark Plug
- Fuel Tank and Cap
- Air Cleaner

- E. Starter Cord Handle
- F. Dipstick
- G. Muffler, Muffler Guard (if equipped), Spark Arrester (if equipped)
- H. Air Intake Grille
- I. Throttle Control (if equipped)
- J. Choke (if equipped)
- K. Fuel Shut-off (if equipped)
- L. Stop Switch (if equipped)

D	5W-30
---	-------

Check Oil Level

See Figure: 4

Before adding or checking the oil

- Make sure the engine is level.
 - Clean the oil fill area of any debris.
1. Remove the dipstick (A, Figure 4) and wipe with a clean cloth.
 2. Install and tighten the dipstick (A, Figure 4).
 3. Remove the dipstick and check the oil level. Correct oil level is at the top of the full indicator (B, Figure 4) on the dipstick.
 4. If oil level is low, slowly add oil into the engine oil fill (C, Figure 4). **Do not overfill.** After adding oil, wait one minute and then recheck the oil level.
 5. Reinstall and tighten the dipstick (A, Figure 4).

Fuel Recommendations

Fuel must meet these requirements:

- Clean, fresh, unleaded gasoline.
- A minimum of 87 octane/87 AKI (91 RON). High altitude use, see below.
- Gasoline with up to 10% ethanol (gasohol) is acceptable.

NOTICE Do not use unapproved gasolines, such as E15 and E85. Do not mix oil in gasoline or modify the engine to run on alternate fuels. Use of unapproved fuels will damage the engine components, which will not be covered under warranty.

To protect the fuel system from gum formation, mix a fuel stabilizer into the fuel. See **Storage**. All fuel is not the same. If starting or performance problems occur, change fuel providers or change brands. This engine is certified to operate on gasoline. The emissions control system for this engine is EM (Engine Modifications).

High Altitude

At altitudes over 5,000 feet (1524 meters), a minimum 85 octane/85 AKI (89 RON) gasoline is acceptable.

For carbureted engines, high altitude adjustment is required to maintain performance. Operation without this adjustment will cause decreased performance, increased fuel consumption, and increased emissions. Contact a Briggs & Stratton Authorized Service Dealer for high altitude adjustment information. Operation of the engine at altitudes below 2,500 feet (762 meters) with the high altitude adjustment is not recommended.

For Electronic Fuel Injection (EFI) engines, no high altitude adjustment is necessary.

Add Fuel

See Figure: 5



Fuel and its vapors are extremely flammable and explosive.

Fire or explosion can cause severe burns or death.

When adding fuel

- Turn engine off and let engine cool at least 2 minutes before removing the fuel cap.
 - Fill fuel tank outdoors or in well-ventilated area.
 - Do not overfill fuel tank. To allow for expansion of the fuel, do not fill above the bottom of the fuel tank neck.
 - Keep fuel away from sparks, open flames, pilot lights, heat, and other ignition sources.
 - Check fuel lines, tank, cap, and fittings frequently for cracks or leaks. Replace if necessary.
 - If fuel spills, wait until it evaporates before starting engine.
1. Clean the fuel cap area of dirt and debris. Remove the fuel cap.
 2. Fill the fuel tank (A, Figure 5) with fuel. To allow for expansion of the fuel, do not fill above the bottom of the fuel tank neck (B).
 3. Reinstall the fuel cap.

Start and Stop Engine

See Figure: 6, 7, 8, 9

Engine Control Symbols and Meanings

Symbol	Meaning	Symbol	Meaning
	Engine speed - FAST		Engine speed - SLOW
	Engine speed - STOP		ON - OFF
	Engine start - Choke CLOSED		Engine start - Choke OPEN
	Fuel Cap Fuel Shut-off - OPEN		Fuel Shut-off - CLOSED
	Fuel level - Do not overfill		

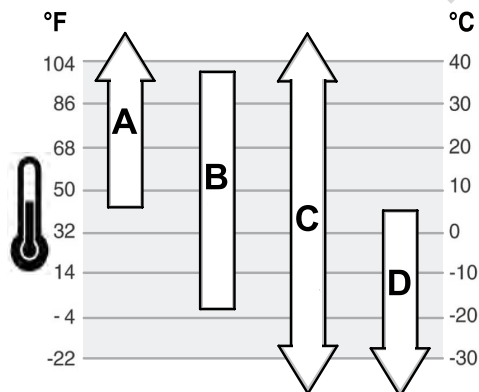
Operation

Oil Recommendations

Oil Capacity: See the *Specifications* section.

We recommend the use of Briggs & Stratton Warranty Certified oils for best performance. Other high-quality detergent oils are acceptable if classified for service SF, SG, SH, SJ or higher. Do not use special additives.

Outdoor temperatures determine the proper oil viscosity for the engine. Use the chart to select the best viscosity for the outdoor temperature range expected.



A	SAE 30 - Below 40 °F (4 °C) the use of SAE 30 will result in hard starting.
B	10W-30 - Above 80 °F (27 °C) the use of 10W-30 may cause increased oil consumption. Check oil level more frequently.
C	Synthetic 5W-30

Start Engine



WARNING



Rapid retraction of starter cord (kickback) will pull hand and arm toward engine faster than you can let go.

Broken bones, fractures, bruises or sprains could result.

- When starting engine, pull the starter cord slowly until resistance is felt and then pull rapidly to avoid kickback.



WARNING



Fuel and its vapors are extremely flammable and explosive.

Fire or explosion can cause severe burns or death.

When Starting Engine

- Ensure that spark plug, muffler, fuel cap and air cleaner (if equipped) are in place and secured.
- Do not crank engine with spark plug removed.
- If engine floods, set choke (if equipped) to OPEN / RUN position, move throttle (if equipped) to FAST position and crank until engine starts.



WARNING



POISONOUS GAS HAZARD. Engine exhaust contains carbon monoxide, a poisonous gas that could kill you in minutes. You CANNOT see it, smell it, or taste it. Even if you do not smell exhaust fumes, you could still be exposed to carbon monoxide gas. If you start to feel sick, dizzy, or weak while using this product, shut it off and get to fresh air RIGHT AWAY. See a doctor. You may have carbon monoxide poisoning.

- Operate this product ONLY outside far away from windows, doors and vents to reduce the risk of carbon monoxide gas from accumulating and potentially being drawn towards occupied spaces.
- Install battery-operated carbon monoxide alarms or plug-in carbon monoxide alarms with battery back-up according to the manufacturer's instructions. Smoke alarms cannot detect carbon monoxide gas.
- DO NOT run this product inside homes, garages, basements, crawlspaces, sheds, or other partially-enclosed spaces even if using fans or opening doors and windows for ventilation. Carbon monoxide can quickly build up in these spaces and can linger for hours, even after this product has shut off.
- ALWAYS place this product downwind and point the engine exhaust away from occupied spaces.

NOTICE This engine was shipped from Briggs & Stratton without oil. Before you start the engine, make sure you add oil according to the instructions in this manual. If you start the engine without oil, it will be damaged beyond repair and will not be covered under warranty.

Determine The Starting System

Before starting the engine, you must determine the type of starting system that is on your engine. Your engine will have one of the following types.

- **ReadyStart® System:** This features a temperature controlled automatic choke. It does not have a manual choke or a primer.
- **Choke System:** This features a choke to be used for starting in cool temperatures. Some models will have a separate choke control while others will have a combination choke/throttle control. This type does not have a primer.

To start your engine, follow the instructions for your type of starting system.

Note: Equipment may have remote controls. See the equipment manual for location and operation of remote controls.

ReadyStart® System

1. Check the engine oil. See the **Check Oil Level** section.
2. Make sure equipment drive controls, if equipped, are disengaged.
3. Move the fuel shut-off (A, Figure 6), if equipped, to the OPEN position.
4. Move the throttle control (B, Figure 6), if equipped, to the FAST position. Operate the engine in the FAST position.
5. Push the stop switch (D, Figure 7), if equipped, to the ON position.

6. If the product is equipped with an engine stop lever (C, Figure 8), hold the engine stop lever against the handle.
7. **Rewind Start, if equipped:** Firmly hold the starter cord handle (G, Figure 6). Pull the starter cord handle slowly until resistance is felt, then pull rapidly.



WARNING

Rapid retraction of the starter cord (kickback) will pull your hand and arm toward the engine faster than you can let go. Broken bones, fractures, bruises or sprains could result. When starting engine, pull the starter cord slowly until resistance is felt and then pull rapidly to avoid kickback.

8. **Electric Start, if equipped:** Turn the electric start switch to the ON / START position.

NOTICE To extend the life of the starter, use short starting cycles (five seconds maximum). Wait one minute between starting cycles.

Note: If the engine does not start after repeated attempts, contact your local dealer or go to **BRIGGSandSTRATTON.com** or call **1-800-233-3723** (in USA).

Choke System

1. Check the engine oil. See the **Check Oil Level** section.
2. Make sure equipment drive controls, if equipped, are disengaged.
3. Move the fuel shut-off (A, Figure 6), if equipped, to the OPEN position.
4. Move the throttle control (B, Figure 6), if equipped, to the FAST position. Operate the engine in the FAST position.
5. Move the choke control (F, Figure 9), to the CLOSED position.

Note: Choke is usually unnecessary when restarting a warm engine.

6. Push the stop switch (D, Figure 9), if equipped, to the ON position.
7. If the product is equipped with an engine stop lever (C, Figure 8), hold the engine stop lever against the handle.
8. **Rewind Start, if equipped:** Firmly hold the starter cord handle (G, Figure 6). Pull the starter cord handle slowly until resistance is felt, then pull rapidly.



WARNING

Rapid retraction of the starter cord (kickback) will pull your hand and arm toward the engine faster than you can let go. Broken bones, fractures, bruises or sprains could result. When starting engine, pull the starter cord slowly until resistance is felt and then pull rapidly to avoid kickback.

9. **Electric Start, if equipped:** Turn the electric start switch to the ON / START position.

NOTICE To extend the life of the starter, use short starting cycles (five seconds maximum). Wait one minute between starting cycles.

10. As the engine warms up, move the choke control (F, Figure 9) to the OPEN / RUN position.

Note: If the engine does not start after repeated attempts, contact you local dealer or go to **BRIGGSandSTRATTON.com** or call **1-800-233-3723** (in USA).

Stop Engine



WARNING



Fuel and its vapors are extremely flammable and explosive.

Fire or explosion can cause severe burns or death.

- Do not choke, if equipped, the carburetor to stop the engine.

1. **Engine Stop Lever, if equipped:** Release the engine stop lever (E, Figure 8).

Stop Switch, if equipped: Move the stop switch (D, Figure 7, 9) to the OFF position.

Throttle Control, if equipped: Move the throttle control (B, Figure 6) to the STOP position.

Electric Start Key, if equipped: Turn the electric start key to the OFF / STOP position. Remove the key and keep in a safe place out of the reach of children.

2. After the engine stops, move the fuel shut-off (A, Figure 6), if equipped, to the CLOSED position.

Maintenance

NOTICE If the engine is tipped during maintenance, the fuel tank, if mounted on engine, must be empty and the spark plug side must be up. If the fuel tank is not empty and if the engine is tipped in any other direction, it may be difficult to start due to oil or gasoline contaminating the air filter and/or the spark plug.



WARNING

When performing maintenance that requires the unit to be tipped, the fuel tank, if mounted on the engine, must be empty or fuel can leak out and result in a fire or explosion.

We recommend that you see any Briggs & Stratton Authorized Dealer for all maintenance and service of the engine and engine parts.

NOTICE All the components used to build this engine must remain in place for proper operation.



WARNING



Unintentional sparking can result in fire or electric shock.

Unintentional start-up can result in entanglement, traumatic amputation, or laceration.

Fire hazard

Before performing adjustments or repairs:

- Disconnect the spark plug wire and keep it away from the spark plug.
- Remove battery pack from engine battery tray. The battery pack may represent equipment key in some instances.
- Use only correct tools.
- Do not tamper with governor spring, links or other parts to increase engine speed.
- Replacement parts must be of the same design and installed in the same position as the original parts. Other parts may not perform as well, may damage the unit, and may result in injury.
- Do not strike the flywheel with a hammer or hard object because the flywheel may later shatter during operation.

When testing for spark:

- Use approved spark plug tester.
- Do not check for spark with spark plug removed.

Emissions Control Service

Maintenance, replacement, or repair of the emissions control devices and systems may be performed by any off-road engine repair establishment or individual. However, to obtain "no charge" emissions control service, the work must be performed by a factory authorized dealer. See the Emissions Control Statements.

Maintenance Schedule

Before Each Use
<ul style="list-style-type: none">• Check engine oil level• Clean area around muffler and controls• Clean air intake grille
Every 25 Hours or Annually
<ul style="list-style-type: none">• Clean air filter ¹• Clean pre-cleaner, if equipped
Every 50 Hours or Annually
<ul style="list-style-type: none">• Service exhaust system
Annually
<ul style="list-style-type: none">• Replace spark plug• Replace air filter• Replace pre-cleaner, if equipped• Service cooling system ¹

¹ In dusty conditions or when airborne debris is present, clean more often.

Carburetor and Engine Speed

Never make adjustments to the carburetor or engine speed. The carburetor was set at the factory to operate efficiently under most conditions. Do not tamper with the governor spring, linkages, or other parts to change the engine speed. If any adjustments are required contact a Briggs & Stratton Authorized Service Dealer for service.

NOTICE The equipment manufacturer specifies the maximum speed for the engine as installed on the equipment. **Do not exceed** this speed. If you are unsure what the equipment maximum speed is, or what the engine speed is set to from the factory, contact a Briggs & Stratton Authorized Service Dealer for assistance. For safe and proper operation of the equipment, the engine speed should be adjusted only by a qualified service technician.

Service Spark Plug

See Figure: 10

Check the gap (A, Figure 10) with a wire gauge (B). If necessary, reset the gap. Install and tighten the spark plug to the recommended torque. For gap setting or torque, see the **Specifications** section.

Note: In some areas, local law requires using a resistor spark plug to suppress ignition signals. If this engine was originally equipped with a resistor spark plug, use the same type for replacement.

Service Exhaust System



WARNING



Running engines produce heat. Engine parts, especially muffler, become extremely hot.

Severe thermal burns can occur on contact.

Combustible debris, such as leaves, grass, brush, etc. can catch fire.

- Allow muffler, engine cylinder and fins to cool before touching.
- Remove accumulated debris from muffler area and cylinder area.
- It is a violation of California Public Resource Code, Section 4442, to use or operate the engine on any forest-covered, brush-covered, or grass-covered land unless the exhaust system is equipped with a spark arrester, as defined in Section 4442, maintained in effective working order. Other states or federal jurisdictions may have similar laws. Contact the original equipment manufacturer, retailer, or dealer to obtain a spark arrester designed for the exhaust system installed on this engine.

Remove accumulated debris from muffler and cylinder area. Inspect the muffler for cracks, corrosion, or other damage. Remove the deflector or the spark arrester, if equipped, and inspect for damage or carbon blockage. If damage is found, install replacement parts before operating.



WARNING

Replacement parts must be of the same design and installed in the same position as the original parts. Other parts may not perform as well, may damage the unit, and may result in injury.

Change Engine Oil

See Figure: 11, 12, 13



WARNING



Fuel and its vapors are extremely flammable and explosive.

Fire or explosion can cause severe burns or death.

Running engines produce heat. Engine parts, especially muffler, become extremely hot.

Severe thermal burns can occur on contact.

- When you drain the oil from the top oil fill tube, the fuel tank must be empty or fuel can leak out and result in a fire or explosion.
- Allow muffler, engine cylinder and fins to cool before touching.

Check and add oil as required. See the How To Check/Add Oil section. An oil change is not required but if you desire to change the oil follow the procedure below.

Used oil is a hazardous waste product and must be disposed of properly. Do not discard with household waste. Check with your local authorities, service center, or dealer for safe disposal/recycling facilities.

Remove Oil

The oil must be drained from the top oil fill tube.

1. With engine off but still warm, disconnect the spark plug wire (D, Figure 11) and keep it away from the spark plug (E).
2. Remove the dipstick (A, Figure 12).
3. When you drain the oil from the top oil fill tube (C, Figure 13), keep the spark plug (E) end of the engine up. Drain the oil into an approved container.



WARNING

When you drain the oil from the top oil fill tube, the fuel tank must be empty or fuel can leak out and result in a fire or explosion. To empty the fuel tank, run the engine until it stops from lack of fuel.

Add Oil

- Make sure the engine is level.
 - Clean the oil fill area of any debris.
 - See the **Specifications** section for oil capacity.
1. Remove the dipstick (A, Figure 12) and wipe with a clean cloth.
 2. Slowly pour oil into the engine oil fill (C, Figure 12). **Do not overfill.** After adding oil, wait one minute and then check the oil level.
 3. Install and tighten the dipstick (A, Figure 12).
 4. Remove the dipstick and check the oil level. Correct oil level is at the top of the full indicator (B, Figure 12) on the dipstick.
 5. Reinstall and tighten the dipstick (A, Figure 12).
 6. Connect the spark plug wire (D, Figure 11) to the spark plug (E).

Service Air Filter

See Figure: 14



WARNING



Fuel and its vapors are extremely flammable and explosive.

Fire or explosion can cause severe burns or death.

- Never start and run the engine with the air cleaner assembly (if equipped) or the air filter (if equipped) removed.

NOTICE Do not use pressurized air or solvents to clean the filter. Pressurized air can damage the filter and solvents will dissolve the filter.

See the **Maintenance Schedule** for service requirements.

Paper Air Filter

1. Open the cover (B, Figure 14).
2. Remove the filter (C, Figure 14).
3. Remove the pre-cleaner (E, Figure 14), if equipped, from the filter. To loosen debris, gently tap the filter on a hard surface. If the filter is excessively dirty, replace with a new filter.
4. Wash the pre-cleaner in liquid detergent and water. Then allow it to thoroughly air dry. **Do not** oil the pre-cleaner.
5. Assemble the dry pre-cleaner, if equipped, to the filter.
6. Install the filter (C, Figure 14).
7. Close the cover (B, Figure 14).

Service Cooling System



WARNING



Running engines produce heat. Engine parts, especially muffler, become extremely hot.

Severe thermal burns can occur on contact.

Combustible debris, such as leaves, grass, brush, etc., can catch fire.

- Allow muffler, engine cylinder and fins to cool before touching.
- Remove accumulated debris from muffler area and cylinder area.

NOTICE Do not use water to clean the engine. Water could contaminate the fuel system. Use a brush or dry cloth to clean the engine.

This is an air cooled engine. Dirt or debris can restrict air flow and cause the engine to overheat, resulting in poor performance and reduced engine life.

1. Use a brush or dry cloth to remove debris from the air intake grille.
2. Keep linkage, springs and controls clean.
3. Keep the area around and behind the muffler, if equipped, free of any combustible debris.
4. Make sure the oil cooler fins, if equipped, are free of dirt and debris.

After a period of time, debris can accumulate in the cylinder cooling fins and cause the engine to overheat. This debris cannot be removed without partial disassembly of the engine. Have a Briggs & Stratton Authorized Service Dealer inspect and clean the air cooling system as recommended in the **Maintenance Schedule**.

Storage



WARNING



Fuel and its vapors are extremely flammable and explosive.

Fire or explosion can cause severe burns or death.

When Storing Fuel Or Equipment With Fuel In Tank

- Store away from furnaces, stoves, water heaters or other appliances that have pilot lights or other ignition sources because they can ignite fuel vapors.

NOTICE Store the engine level (normal operating position). For further storage instructions, see the equipment manual.

Fuel System

Fuel can become stale when stored over 30 days. Stale fuel causes acid and gum deposits to form in the fuel system or on essential carburetor parts. To keep fuel fresh, use **Briggs & Stratton Advanced Formula Fuel Treatment & Stabilizer**, available wherever Briggs & Stratton genuine service parts are sold.

There is no need to drain gasoline from the engine if a fuel stabilizer is added according to instructions. Run the engine for two (2) minutes to circulate the stabilizer throughout the fuel system before storage.

If gasoline in the engine has not been treated with a fuel stabilizer, it must be drained into an approved container. Run the engine until it stops from lack of fuel. The use of a fuel stabilizer in the storage container is recommended to maintain freshness.

Engine Oil

An oil change is not required but if you desire to change the oil then change while the engine is warm. See the **Change Engine Oil** section.

Troubleshooting

For assistance, contact your local dealer or go to **BRIGGSandSTRATTON.com** or call **1-800-233-3723** (in USA).

Specifications

Model: 100000	
Displacement	9.93 ci (163 cc)
Bore	2.688 in (68,28 mm)
Stroke	1.75 in (44,45 mm)
Oil Capacity	15 oz (,44 L)

Model: 100000	
Spark Plug Gap	.030 in (.76 mm)
Spark Plug Torque	180 lb-in (20 Nm)
Armature Air Gap	.006 - .014 in (.15 - .36 mm)
Intake Valve Clearance	.004 - .008 in (.10 - .20 mm)
Exhaust Valve Clearance	.004 - .008 in (.10 - .20 mm)

Model: 093J00	
Displacement	9.15 ci (150 cc)
Bore	2.583 in (65,60 mm)
Stroke	1.75 in (44,45 mm)
Oil Capacity	15 oz (.44 L)
Spark Plug Gap	.020 in (.51 mm)
Spark Plug Torque	180 lb-in (20 Nm)
Armature Air Gap	.006 - .014 in (.15 - .36 mm)
Intake Valve Clearance	.004 - .008 in (.10 - .20 mm)
Exhaust Valve Clearance	.004 - .008 in (.10 - .20 mm)

Engine power will decrease 3.5% for each 1,000 feet (300 meters) above sea level and 1% for each 10° F (5.6° C) above 77° F (25° C). The engine will operate satisfactorily at an angle up to 15°. Refer to the equipment operator's manual for safe allowable operating limits on slopes.

Service Parts - Model: 100000, 093J00	
Service Part	Part Number
Air Filter (see Figure 14)	593260
Air Filter, Pre-cleaner (see Figure 14)	594055
Oil - SAE 30	100113
Advanced Formula Fuel Treatment and Stabilizer	100117, 100120
Resistor Spark Plug (Model 100000)	594056
Resistor Spark Plug (Model 093J00)	692051
Spark Plug Wrench	19576
Spark Tester	19368

We recommend that you see any Briggs & Stratton Authorized Dealer for all maintenance and service of the engine and engine parts.

Power Ratings: The gross power rating for individual gasoline engine models is labeled in accordance with SAE (Society of Automotive Engineers) code J1940 Small Engine Power & Torque Rating Procedure, and is rated in accordance with SAE J1995. Torque values are derived at 2600 RPM for those engines with "rpm" called out on the label and 3060 RPM for all others; horsepower values are derived at 3600 RPM. The gross power curves can be viewed at www.BRIGGSandSTRATTON.COM. Net power values are taken with exhaust and air cleaner installed whereas gross power values are collected without these attachments. Actual gross engine power will be higher than net engine power and is affected by, among other things, ambient operating conditions and engine-to-engine variability. Given the wide array of products on which engines are placed, the gasoline engine may not develop the rated gross power when used in a given piece of power equipment. This difference is due to a variety of factors including, but not limited to, the variety of engine components (air cleaner, exhaust, charging, cooling, carburetor, fuel pump, etc.), application limitations, ambient operating conditions (temperature, humidity, altitude), and engine-to-engine variability. Due to manufacturing and capacity limitations, Briggs & Stratton may substitute an engine of higher rated power for this engine.

Warranty

Briggs & Stratton Engine Warranty

Effective January 2016

Limited Warranty

Briggs & Stratton warrants that, during the warranty period specified below, it will repair or replace, free of charge, any part that is defective in material or workmanship or both. Transportation charges on product submitted for repair or replacement under this warranty must be borne by purchaser. This warranty is effective for and is subject to the time periods and conditions stated below. For warranty service, find the nearest Authorized Service Dealer in our dealer locator map at BRIGGSandSTRATTON.COM. The purchaser must contact the Authorized Service Dealer, and then make the product available to the Authorized Service Dealer for inspection and testing.

There is no other express warranty. Implied warranties, including those of merchantability and fitness for a particular purpose, are limited to the warranty period listed below, or to the extent permitted by law. Liability for incidental or consequential damages are excluded to the extent exclusion is permitted by law. Some states or countries do not allow limitations on how long an implied warranty lasts, and some states or countries do not allow the exclusion or limitation of incidental or consequential damages, so the above limitation and exclusion may not apply to you. This warranty gives you specific legal rights and you may also have other rights which vary from state to state and country to country ⁴.

Standard Warranty Terms ^{1, 2}

Brand / Product Name	Consumer Use	Commercial Use
Vanguard™ ³	36 months	36 months
Commercial Turf Series™ ; Commercial Series	24 months	24 months
Engines Featuring Dura-Bore™ Cast Iron Sleeve	24 months	12 months
All Other Briggs & Stratton Engines	24 months	3 months

¹ These are our standard warranty terms, but occasionally there may be additional warranty coverage that was not determined at time of publication. For a listing of current warranty terms for your engine, go to BRIGGSandSTRATTON.com or contact your Briggs & Stratton Authorized Service Dealer.

² There is no warranty for engines on equipment used for prime power in place of a utility or for standby generators used for commercial purposes. Engines used in competitive racing or on commercial or rental tracks are not warranted.

³ Vanguard installed on standby generators: 24 months consumer use, no warranty commercial use. Vanguard installed on utility vehicles: 24 months consumer use, 24 months commercial use. Vanguard 3-cylinder liquid cooled: see Briggs & Stratton 3/LC Engine Warranty Policy.

⁴ In Australia - Our goods come with guarantees that cannot be excluded under the Australian Consumer Law. You are entitled to a replacement or refund for a major failure and for compensation for any other reasonably foreseeable loss or damage. You are also entitled to have the goods repaired or replaced if the goods fail to be of acceptable quality and the failure does not amount to a major failure. For warranty service, find the nearest Authorized Service Dealer in our dealer locator map at BRIGGSandSTRATTON.COM, or by calling 1300 274 447, or by emailing or writing to salesenquiries@briggsandstratton.com.au, Briggs & Stratton Australia Pty Ltd, 1 Moorebank Avenue, Moorebank, NSW, Australia, 2170.

The warranty period begins on the original date of purchase by the first retail or commercial consumer. "Consumer use" means personal residential household use by a retail consumer. "Commercial use" means all other uses, including use for commercial, income producing or rental purposes. Once an engine has experienced commercial use, it shall thereafter be considered as a commercial use engine for purposes of this warranty.

Save your proof of purchase receipt. If you do not provide proof of the initial purchase date at the time warranty service is requested, the manufacturing date of the product will be used to determine the warranty period. Product registration is not required to obtain warranty service on Briggs & Stratton products.

About Your Warranty

This limited warranty covers engine-related material and/or workmanship issues only, and not replacement or refund of the equipment to which the engine may be mounted. Routine maintenance, tune-ups, adjustments, or normal wear and tear are not covered under this warranty. Similarly, warranty is not applicable if the engine has been altered or modified or if the engine serial number has been defaced or removed. This warranty does not cover engine damage or performance problems caused by:

- The use of parts that are not original Briggs & Stratton parts;
- Operating the engine with insufficient, contaminated, or an incorrect grade of lubricating oil;
- The use of contaminated or stale fuel, gasoline formulated with ethanol greater than 10%, or the use of alternative fuels such as liquefied petroleum or natural gas on engines not originally designed/manufactured by Briggs & Stratton to operate on such fuels;
- Dirt which entered the engine because of improper air cleaner maintenance or re-assembly;
- Striking an object with the cutter blade of a rotary lawn mower, loose or improperly installed blade adapters, impellers, or other crankshaft coupled devices, or excessive v-belt tightness;
- Associated parts or assemblies such as clutches, transmissions, equipment controls, etc., which are not supplied by Briggs & Stratton;
- Overheating due to grass clippings, dirt and debris, or rodent nests which plug or clog the cooling fins or flywheel area, or by operating the engine without sufficient ventilation;
- Excessive vibration due to over-speeding, loose engine mounting, loose or unbalanced cutter blades or impellers, or improper coupling of equipment components to the crankshaft;

9. Misuse, lack of routine maintenance, shipping, handling, or warehousing of equipment, or improper engine installation.

Warranty service is available only through Briggs & Stratton Authorized Service Dealers. Locate your nearest Authorized Service Dealer in our dealer locator map at BRIGGSandSTRATTON.COM or by calling 1-800-233-3723 (in USA).

80004537 (Rev.B)

Briggs & Stratton Emissions Warranty

California, U.S. EPA, and Briggs & Stratton Corporation Emissions Control Warranty Statement - Your Warranty Rights and Obligations

For Briggs & Stratton Engine Models with "F" Trim Designation (Model-Type-Trim Representation xxxxxx xxxx Fx)

The California Air Resources Board, U.S. EPA, and Briggs & Stratton (B&S) are pleased to explain the emissions control system warranty on your Model Year 2016-2018 engine/equipment. In California, new small off-road engines and large spark ignited engines less than or equal to 1.0 liter must be designed, built, and equipped to meet the State's stringent anti-smog standards. B&S must warrant the emissions control system on your engine/equipment for the periods of time listed below provided there has been no abuse, neglect, or improper maintenance of your engine/equipment.

Your exhaust emissions control system may include parts such as the carburetor or fuel injection system, ignition system, and catalytic converter. Also included may be hoses, belts, connectors, sensors, and other emissions-related assemblies. Your evaporative emission control system may include parts such as: carburetors, fuel tanks, fuel lines, fuel caps, valves, canisters, filters, vapor hoses, clamps, connectors, and other associated components.

Where a warrantable condition exists, B&S will repair your engine/equipment at no cost to you including diagnosis, parts, and labor.

Manufacturer's Warranty Coverage:

Small off-road engines and large spark ignited engines less than or equal to 1.0 liter, and any related emissions components of the equipment, are warranted for two years, or for the time period listed in the respective engine or product warranty statement, whichever is greater. If any emissions-related part on your B&S engine/equipment is defective, the part will be repaired or replaced by B&S.

Owner's Warranty Responsibilities:

- As the engine/equipment owner, you are responsible for the performance of the required maintenance listed in your Operator's Manual. B&S recommends that you retain all receipts covering maintenance on your engine/equipment, but B&S cannot deny warranty solely for the lack of receipts or your failure to ensure the performance of all scheduled maintenance.
- As the engine/equipment owner, you should however be aware that B&S may deny you warranty coverage if your engine/equipment or a part has failed due to abuse, neglect, improper maintenance, or unapproved modifications.
- You are responsible for presenting your engine/equipment to a B&S distribution center, servicing dealer, or other equivalent entity, as applicable, as soon as a problem exists. The warranty repairs should be completed in a reasonable amount of time, not to exceed 30 days. If you have any questions regarding your warranty rights and responsibilities, you should contact B&S at 1-800-444-7774 (in USA) or BRIGGSandSTRATTON.COM.

Briggs & Stratton Emissions Control Warranty Provisions

The following are specific provisions relative to your Emissions Control Warranty Coverage. It is in addition to the B&S engine warranty for non-regulated engines found in the Operator's Manual.

1. Warranted Emissions Parts

Coverage under this warranty extends only to the parts listed below (the emissions control systems parts) to the extent these parts were present on the B&S engine and/or B&S supplied fuel system.

a. Fuel Metering System

- Cold start enrichment system (soft choke)
- Carburetor or fuel injection system
- Oxygen sensor
- Electronic control unit
- Fuel pump module
- Fuel line, fuel line fittings, clamps
- Fuel tank, cap and tether
- Carbon canister

b. Air Induction System

- Air cleaner
- Intake manifold
- Purge and vent line

c. Ignition System

- Spark plug(s)
- Magneto ignition system

d. Catalyst System

- Catalytic converter
- Exhaust manifold
- Air injection system or pulse valve

e. Miscellaneous Items Used in Above Systems

- Vacuum, temperature, position, time sensitive valves and switches
- Connectors and assemblies

2. Length of Coverage

Coverage is for a period of two years from date of original purchase, or for the time period listed in the respective engine or product warranty statement, whichever is greater. B&S warrants to the original purchaser and each subsequent purchaser that the engine is designed, built, and equipped so as to conform with all applicable regulations adopted by the Air Resources Board; that it is free from defects in material and workmanship that could cause the failure of a warranted part; and that it is identical in all material respects to the engine described in the manufacturer's application for certification. The warranty period begins on the date the engine is originally purchased.

The warranty on emissions-related parts is as follows:

- Any warranted part that is not scheduled for replacement as required maintenance in the Operator's Manual supplied, is warranted for the warranty period stated above. If any such part fails during the period of warranty coverage, the part will be repaired or replaced by B&S at no charge to the owner. Any such part repaired or replaced under the warranty will be warranted for the remaining warranty period.
 - Any warranted part that is scheduled only for regular inspection in the Operator's Manual supplied, is warranted for the warranty period stated above. Any such part repaired or replaced under warranty will be warranted for the remaining warranty period.
 - Any warranted part that is scheduled for replacement as required maintenance in the Operator's Manual supplied, is warranted for the period of time prior to the first scheduled replacement point for that part. If the part fails prior to the first scheduled replacement, the part will be repaired or replaced by B&S at no charge to the owner. Any such part repaired or replaced under warranty will be warranted for the remainder of the period prior to the first scheduled replacement point for the part.
 - Add-on or modified parts that are not exempted by the Air Resources Board may not be used. The use of any non-exempted add-on or modified parts by the owner will be grounds for disallowing a warranty claim. The manufacturer will not be liable to warrant failures of warranted parts caused by the use of a non-exempted add-on or modified part.
3. Consequential Coverage
Coverage shall extend to the failure of any engine components caused by the failure of any warranted emissions parts.
4. Claims and Coverage Exclusions
Warranty claims shall be filed according to the provisions of the B&S engine warranty policy. Warranty coverage does not apply to failures of emissions parts that are not original equipment B&S parts or to parts that fail due to abuse, neglect, or improper maintenance as set forth in the B&S engine warranty policy. B&S is not liable for warranty coverage of failures of emissions parts caused by the use of add-on or modified parts.

Look For Relevant Emissions Durability Period and Air Index Information On Your Small Off-Road Engine Emissions Label

Engines that are certified to meet the California Air Resources Board (CARB) small off-road Emissions Standard must display information regarding the Emissions Durability Period and the Air Index. Briggs & Stratton makes this information available to the consumer on our emissions labels. The engine emissions label will indicate certification information.

The **Emissions Durability Period** describes the number of hours of actual running time for which the engine is certified to be emissions compliant, assuming proper maintenance in accordance with the Operator's Manual. The following categories are used:

Moderate:

Engines at or less than 80 cc displacement are certified to be emissions compliant for 50 hours of actual engine running time. Engines greater than 80 cc displacement are certified to be emissions compliant for 125 hours of actual engine running time.

Intermediate:

Engines at or less than 80 cc displacement are certified to be emissions compliant for 125 hours of actual engine running time. Engines greater than 80 cc displacement are certified to be emissions compliant for 250 hours of actual engine running time.

Extended:

Engines at or less than 80 cc displacement are certified to be emissions compliant for 300 hours of actual engine running time. Engines greater than 80 cc displacement are certified to be emissions compliant for 500 hours of actual engine running time.

For example, a typical walk-behind lawn mower is used 20 to 25 hours per year. Therefore, the **Emissions Durability Period** of an engine with an **intermediate** rating would equate to 10 to 12 years.

Briggs & Stratton engines are certified to meet the United States Environmental Protection Agency (USEPA) Phase 2 or Phase 3 emissions standards. The Emissions Compliance Period referred to on the Emissions Compliance label indicates the number of operating hours for which the engine has been shown to meet Federal emissions requirements.

For engines at or less than 80 cc displacement:

Category C = 50 hours, Category B = 125 hours, Category A = 300 hours

For engines greater than 80 cc displacement and less than 225 cc displacement:

Category C = 125 hours, Category B = 250 hours, Category A = 500 hours

For engines of 225 cc or more displacement:

Category C = 250 hours, Category B = 500 hours, Category A = 1000 hours

80008256 (Rev E)

California, U.S. EPA, and Briggs & Stratton Corporation Emissions Control Warranty Statement - Your Warranty Rights and Obligations

For Briggs & Stratton Engine Models with "B" or "G" Trim Designation (Model-Type-Trim Representation xxxxxx xxxx Bx or xxxxxx xxxx Gx)

The California Air Resources Board, U.S. EPA, and Briggs & Stratton (B&S) are pleased to explain the emissions control system warranty on your Model Year 2016-2018 engine. In California, new small off-road engines and large spark ignited engines less than or equal to 1.0 liter must be designed, built, and equipped to meet the State's stringent anti-smog standards. B&S must warrant the emissions control system on your engine for the periods of time listed below provided there has been no abuse, neglect, or improper maintenance of your engine.

Your exhaust emissions control system may include parts such as the carburetor or fuel injection system, ignition system, and catalytic converter. Also included may be hoses, belts, connectors, sensors, and other emissions-related assemblies.

Where a warrantable condition exists, B&S will repair your engine at no cost to you including diagnosis, parts, and labor.

Manufacturer's Warranty Coverage:

Small off-road engines and large spark ignited engines less than or equal to 1.0 liter, and any related emissions components of the equipment, are warranted for two years, or for the time period listed in the respective engine or product warranty statement, whichever is greater. If any emissions-related part on your B&S engine is defective, the part will be repaired or replaced by B&S.

Owner's Warranty Responsibilities:

- As the engine owner, you are responsible for the performance of the required maintenance listed in your Operator's Manual. B&S recommends that you retain all receipts covering maintenance on your engine, but B&S cannot deny warranty solely for the lack of receipts or your failure to ensure the performance of all scheduled maintenance.
- As the engine owner, you should however be aware that B&S may deny you warranty coverage if your engine or a part has failed due to abuse, neglect, improper maintenance, or unapproved modifications.
- You are responsible for presenting your engine to a B&S distribution center, servicing dealer, or other equivalent entity, as applicable, as soon as a problem exists. The warranty repairs should be completed in a reasonable amount of time, not to exceed 30 days. If you have any questions regarding your warranty rights and responsibilities, you should contact B&S at 1-800-444-7774 (in USA) or BRIGGSandSTRATTON.COM.

Briggs & Stratton Emissions Control Warranty Provisions

The following are specific provisions relative to your Emissions Control Warranty Coverage. It is in addition to the B&S engine warranty for non-regulated engines found in the Operator's Manual.

1. **Warranted Emissions Parts**
Coverage under this warranty extends only to the parts listed below (the emissions control systems parts) to the extent these parts were present on the B&S engine.

- a. **Fuel Metering System**
 - Cold start enrichment system (soft choke)
 - Carburetor or fuel injection system
 - Oxygen sensor
 - Electronic control unit
 - Fuel pump module
- b. **Air Induction System**
 - Air cleaner
 - Intake manifold
- c. **Ignition System**
 - Spark plug(s)
 - Magneto ignition system
- d. **Catalyst System**
 - Catalytic converter
 - Exhaust manifold
 - Air injection system or pulse valve
- e. **Miscellaneous Items Used in Above Systems**
 - Vacuum, temperature, position, time sensitive valves and switches
 - Connectors and assemblies

2. **Length of Coverage**
Coverage is for a period of two years from date of original purchase, or for the time period listed in the respective engine or product warranty statement, whichever is greater. B&S warrants to the original purchaser and each subsequent purchaser that the engine is designed, built, and equipped so as to conform with all applicable regulations adopted by the Air Resources Board; that it is free from defects in material and workmanship that could cause the failure of a warranted part; and that it is identical in all material respects to the engine described in the manufacturer's application for certification. The warranty period begins on the date the engine is originally purchased.

The warranty on emissions-related parts is as follows:

- Any warranted part that is not scheduled for replacement as required maintenance in the Operator's Manual supplied, is warranted for the warranty period stated above. If any such part fails during the period of warranty coverage, the part will be repaired or replaced by B&S at no charge to the owner. Any such part repaired or replaced under the warranty will be warranted for the remaining warranty period.
 - Any warranted part that is scheduled only for regular inspection in the Operator's Manual supplied, is warranted for the warranty period stated above. Any such part repaired or replaced under warranty will be warranted for the remaining warranty period.
 - Any warranted part that is scheduled for replacement as required maintenance in the Operator's Manual supplied, is warranted for the period of time prior to the first scheduled replacement point for that part. If the part fails prior to the first scheduled replacement, the part will be repaired or replaced by B&S at no charge to the owner. Any such part repaired or replaced under warranty will be warranted for the remainder of the period prior to the first scheduled replacement point for the part.
 - Add-on or modified parts that are not exempted by the Air Resources Board may not be used. The use of any non-exempted add-on or modified parts by the owner will be grounds for disallowing a warranty claim. The manufacturer will not be liable to warrant failures of warranted parts caused by the use of a non-exempted add-on or modified part.
3. **Consequential Coverage**
Coverage shall extend to the failure of any engine components caused by the failure of any warranted emissions parts.
 4. **Claims and Coverage Exclusions**
Warranty claims shall be filed according to the provisions of the B&S engine warranty policy. Warranty coverage does not apply to failures of emissions parts that are not original equipment B&S parts or to parts that fail due to abuse, neglect, or improper maintenance as set forth in the B&S engine warranty policy. B&S is not liable for warranty coverage of failures of emissions parts caused by the use of add-on or modified parts.

Look For Relevant Emissions Durability Period and Air Index Information On Your Small Off-Road Engine Emissions Label

Engines that are certified to meet the California Air Resources Board (CARB) small off-road Emissions Standard must display information regarding the Emissions Durability Period and the Air Index. Briggs & Stratton makes this information available to the consumer on our emissions labels. The engine emissions label will indicate certification information.

The **Emissions Durability Period** describes the number of hours of actual running time for which the engine is certified to be emissions compliant, assuming proper maintenance in accordance with the Operator's Manual. The following categories are used:

Moderate:

Engines at or less than 80 cc displacement are certified to be emissions compliant for 50 hours of actual engine running time. Engines greater than 80 cc displacement are certified to be emissions compliant for 125 hours of actual engine running time.

Intermediate:

Engines at or less than 80 cc displacement are certified to be emissions compliant for 125 hours of actual engine running time. Engines greater than 80 cc displacement are certified to be emissions compliant for 250 hours of actual engine running time.

Extended:

Engines at or less than 80 cc displacement are certified to be emissions compliant for 300 hours of actual engine running time. Engines greater than 80 cc displacement are certified to be emissions compliant for 500 hours of actual engine running time.

For example, a typical walk-behind lawn mower is used 20 to 25 hours per year. Therefore, the **Emissions Durability Period** of an engine with an **intermediate** rating would equate to 10 to 12 years.

Briggs & Stratton engines are certified to meet the United States Environmental Protection Agency (USEPA) Phase 2 or Phase 3 emissions standards. The Emissions Compliance Period referred to on the Emissions Compliance label indicates the number of operating hours for which the engine has been shown to meet Federal emissions requirements.

For engines at or less than 80 cc displacement:

Category C = 50 hours, Category B = 125 hours, Category A = 300 hours

For engines greater than 80 cc displacement and less than 225 cc displacement:

Category C = 125 hours, Category B = 250 hours, Category A = 500 hours

For engines of 225 cc or more displacement:

Category C = 250 hours, Category B = 500 hours, Category A = 1000 hours

80008114 (Rev E)

Not for
Reproduction

Denne vejledning indeholder sikkerhedsoplysninger, der skal gøre dig opmærksom på de farer og risici, der er forbundet med motorer, samt hvordan de kan undgås. Den indeholder også instrukser om korrekt brug og pleje af motoren. Eftersom Briggs & Stratton ikke nødvendigvis ved, hvilket udstyr denne motor skal drive, er det vigtigt, at du læser og forstår denne vejledning og vejledningen til det udstyr, som motoren driver. **Gem de originale anvisninger til fremtidig brug.**

Bemærk: Figurerne og illustrationerne i denne vejledning er udelukkende til referencebrug og kan være anderledes end din model. Henvend dig hos din forhandler hvis du har nogen spørgsmål.

For at kunne få reservedele eller teknisk assistance fremover skal du her anføre motorens model-, type- og kodenummer sammen med købsdatoen. Disse tal er placeret på motoren (se afsnittet **Udstyr og betjeningselementer**).

Købsdato	
Motormodel - Type - Trim	
Motorserienummer	

Kig efter 2D-stregkoden, der er placeret på visse maskiner. Når den ses på en enhed med 2D viser koden vores websted, hvor du kan få adgang til supportoplysninger for dette produkt. Omkostninger til datatrafik kan forekomme. Nogle lande har ikke adgang til online supportoplysninger.



Information vedrørende bortskaffelse

		Al emballage, brugt olie og batterier skal bortskaffes i henhold til gældende statslige regler.
--	--	---

Førersikkerhed

Sikkerhedssymboler og signalord

Sikkerhedssymbolet anvendes til at identificere sikkerhedsoplysninger om farer, der kan medføre personskader. Et signalord (FARE, ADVARSEL eller FORSIGTIG) bruges sammen med advarselssymbolet til at identificere sandsynligheden og den mulige sværhedsgrad af personskaden. Desuden kan et faresymbol bruges til at repræsentere typen af fare.

FARE angiver en farlig situation, som vil medføre død eller alvorlig personskade, hvis den ikke undgås.

ADVARSEL angiver en farlig situation, som kan medføre død eller alvorlig personskade, hvis den ikke undgås.

FORSIGTIG angiver en farlig situation, som kan medføre alvorlig eller moderat personskade, hvis den ikke undgås.

BEMÆRK angiver en situation, som kan medføre beskadigelse af produktet.

Faresymboler og deres betydninger

Symbol	Betydning	Symbol	Betydning
	Sikkerhedsoplysninger om farer, der kan medføre personskade.		Læs og forstå brugervejledningen, før brug af eller servicering af enheden.

Symbol	Betydning	Symbol	Betydning
	Brandfare		Risiko for eksplosion.
	Fare for stød		Fare for giftig røg
	Fare ved varm overflade		Støjfare – Høreværn anbefales ved længere brug.
	Fare for flyvende genstande – Bær beskyttelsesbriller.		Risiko for eksplosion.
	Fare for forfrysning		Fare for tilbageslag
	Fare for amputation – Bevægelige dele		Kemikaliefare
	Fare for varme		Korroderende

Sikkerhedsmeddelelser

ADVARSEL

Visse dele på produktet og dets tilbehør indeholder kemikalier, som i følge staten Californien kan forårsage kræft, fosterskader eller forplantningsskader. Vask hænder efter håndtering.

ADVARSEL

Udstødningen fra motoren på produktet indeholder kemikalier, som i følge staten Californien kan forårsage kræft, fosterskader eller forplantningsskader.

ADVARSEL

Briggs & Stratton Engines er ikke konstrueret til og må ikke anvendes til at drive: fun-karts; go-karts; terrængående børne-, fritids- eller sportskøretøjer (ATV'er); motorcykler, hovercraft; luftfartsprodukter eller køretøjer, der anvendes til konkurrenceformål, som ikke er godkendt af Briggs & Stratton. For yderligere oplysninger om racingprodukter se www.briggsracing.com. Til brug med terrængående og side-by-side ATV'er kontakt Briggs & Stratton Engine Application Center, 1-866-927-3349. Ukorrekt motorbrug kan resultere i alvorlig personskade eller død.

BEMÆRK

Denne motor blev leveret af Briggs & Stratton uden olie. Inden du starter motoren, skal du sørge for at påfylde olie i overensstemmelse med vejledningerne i denne manual. Hvis du starter motoren uden olie, vil den blive beskadiget uden mulighed for at reparere den, og det er ikke omfattet af garantien.

ADVARSEL

Brændstof og brændstofdampe er yderst brandfarlige og eksplosive.

Brand eller eksplosion kan medføre alvorlige forbrændinger eller dødsfald.

Under påfyldning af brændstof

- Sluk motoren, og lad den køle af i mindst 2 minutter, før benzindækslet fjernes.
- Påfyld brændstof udendørs eller på et godt udluftet område.

- Overfyld ikke brændstoftanken. For at give plads til udvidelse skal du undlade at fylde op over bunden af tankens brændstoftank.
- Hold benzin væk fra gnister, åben ild, tændflammer, varme eller andre antændelseskilder.
- Kontroller hyppigt brændstofledninger, tank, dæksel og beslag for revner eller lækage. Udskift hvis nødvendigt.
- Hvis der bliver spildt brændstof, skal du vente til det er fordampet, før motoren startes.

Når motoren startes

- Sørg for at tændrør, lydpotte, brændstofdæksel og luffilter (hvis monteret) er på plads og er fastspændte.
- Prøv ikke at starte motoren med tændrøret fjernet.
- Hvis motoren er druknet, så sæt chokeren (hvis monteret) på ÅBEN/KØR position, flyt speederen (hvis monteret) til positionen FAST, og bliv ved, indtil den starter.

Betjening af udstyret

- Undgå at vippe motoren eller udstyret, således at brændstoffet løber ud.
- Tip ikke karburatoren til at standse motoren.
- Motoren må aldrig startes eller køres, hvis luftrensingsenheden (hvis monteret) eller luftfilteret (hvis monteret) er afmonteret.

Ved olieskift

- Hvis du tømmer olien ud fra toppen af oliepåfyldningsslangen, skal brændstoftanken være tom ellers kan brændstof lække og resultere i brand eller eksplosion.

Ved vipning af en enheden ved vedligeholdelse

- Når der udføres vedligeholdelse, der kræver, at enheden vippes, skal brændstoftanken være tom, da brændstoffet ellers kan løbe ud og resultere i brand eller eksplosion.

Transport af redskabet

- Transport med brændstoftank TOM eller med brændstofventilen i stillingen CLOSED.

Når brændstof eller udstyr med brændstof i tanken opbevares

- Opbevar væk fra fyr, ovne, vandvarmere eller andet udstyr, som kan have en tændflamme eller anden antændelseskilde, fordi de kan antænde benzindampe.



ADVARSEL

Når motoren startes, dannes der gnister.

Gnister kan antænde brændbare gasarter, der befinder sig i nærheden af motoren.

Dette kan medføre eksplosion og brand.

- Hvis der er en lækage af naturgas eller LP-gas i området, må motoren ikke startes.
- Brug ikke startvæsker under tryk, fordi dampene er brændbare.



ADVARSEL

FARE FOR GIFTIGE GASSER. Motorudstødning indeholder kulilte, som er en giftig gas, der kan dræbe på få minutter. Du KAN HVERKEN se det, lugte det eller smage det. Selv om du ikke kan lugte udstødningsgasser, kan du stadigvæk være udsat for kulilteforgiftning. Hvis du begynder at føle syg, svimmel eller svag, mens du bruger dette produkt, få frisk luft med det samme. Søg lægehjælp. Du kan være udsat for kulilteforgiftning.

- Dette produkt må KUN betjenes udenfor, langt fra vinduer, døre og ventilationsanlæg for at reducere risikoen for, at der samler sig kulilte, som kan ledes til områder, hvor der befinder sig personer.
- Installer batteridrevne kuliltealarmer eller strømtilsluttede alarmer med batterisupport i henhold til producentens vejledning. Røgalarmer kan ikke registrere kulilte.
- DU MÅ IKKE betjene denne maskine indendørs i hjem, garager, kældre, krybekældre, skure eller på andre delvist lukkede steder, heller ikke hvis du bruger ventilatorer eller har åbne døre og vinduer for at sikre ordentlig ventilation. Kulilte kan hurtigt akkumulere på sådanne steder og kan forblive der i timevis, efter at maskinen er blevet slukket.
- Placer ALTID dette produkt i vindretningen, og lad motorens udstødning vende væk fra områder, hvor der opholder sig personer.



ADVARSEL

Hurtig tilbagetrækning af startsnoren (tilbageslag) vil bevirke, at din hånd og arm bliver trukket hurtigere mod motoren end du kan kontrollere.

Konsekvenserne kan være brækkede knogler, skrammer eller forstuvninger.

- Når du starter motoren, så træk langsomt i startsnoren indtil der mærkes modstand, og træk så kraftigt for at undgå tilbageslag.
- Sørg for, at alle anordninger på redskabet er udkoblet, dvs. at motoren ikke belastes, før du starter motoren.
- Direkte tilkoblede dele på udstyret f.eks. skæreknive, skovlhjul, remskiver, kædehjul osv. skal være forsvarligt monteret.



ADVARSEL

Hænder, fødder, hår og tøj kan sætte sig fast i roterende dele.

Dette kan medføre, at legemsdele skæres af, eller at brugeren får alvorlige snitsår.

- Redskaber må kun anvendes med alle sikkerhedsafskærmninger på plads.
- Hold hænder og fødder i sikker afstand fra roterende dele.
- Langt hår bør bindes op, og smykker og lignende genstande bør tages af.
- UNDGÅ at bære løstsiddende tøj, tøj med snore eller andre genstande, der kan sætte sig fast i de roterende dele.



ADVARSEL

Kørende motorer danner varme. Motordele, især lydpotten, bliver ekstremt varme.

Kontakt med varme dele kan forårsage alvorlige forbrændinger.

Der kan gå ild i brændbart affald, som f.eks. blade, græs og grene.

- Lad lydpotte, motorcylinder og køleribber køle af, før du rører ved dem.
- Fjern brændbart materiale fra området omkring lydpotten og cylinderen.
- Det er en overtrædelse af staten Californiens offentlige ressource forskrifter, afsnit 4442 at bruge eller betjene motoren på ethvert skov-, krat- eller græsdækket område, medmindre udstødningssystemet er forsynet med en korrekt vedligeholdt gnistfanger, som beskrevet i afsnit 4442. Andre stater eller forbundsområder kan have tilsvarende love. Kontakt en autoriseret serviceforhandler angående anskaffelse af en gnistfanger, der er konstrueret til det udstødningssystem, der er monteret på den pågældende maskine.



ADVARSEL

Gnister, som frembringes ved et uheld, kan medføre brand eller stød.

Uplanlagt start kan resultere i indvikling, traumatisk amputation eller lemlæstelse.

Brandfare

Inden påbegyndelse af justeringer eller reparationer:

- Fjern tændrørskablet og hold det på behørig afstand af tændrøret.
- Tag minuskablet af batteriet, hvis motoren er udstyret med el-starter.
- Brug passende redskaber.
- FORETAG ALDRIG ændring af regulatorfjederen, forbindelser eller andre dele for at øge motorens omdrejningstal.
- Reservedelene skal have samme udformning og de skal placeres på præcist samme måde som de originale dele. Andre reservedele vil ikke give den samme ydelsesgrad, kan ødelægge maskinen og resultere i personskade.
- Slå aldrig på svinghjulet med en hammer eller en hård genstand, da dette kan få svinghjulet til at splintres under drift.

Under test af gnister:

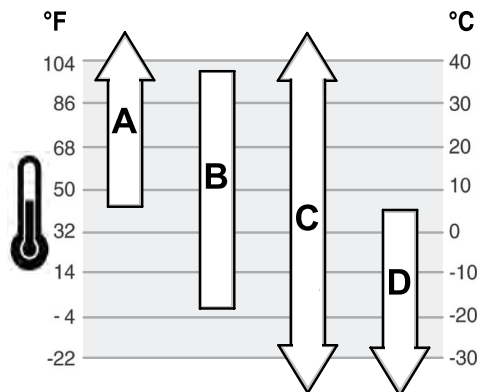
- Brug en godkendt tændrørstester.
- Test ikke for gnist med tændrøret fjernet.

Funktioner og betjeningsanordninger

Motorens betjeningslementer

Sammenlign illustrationen (figur: 1, 2, 3) med din motor for at lære placeringen af udstyr og betjeningslementer.

- A. Identifikation af motoren **Model-, type- og kodenummer**
- B. Tændrør
- C. Brændstoftank og tankdæksel
- D. Luftfilter
- E. Startsnorgreb
- F. Oliepind
- G. Lyddæmper, lyddæmperskærm (hvis monteret), gnistfanger (hvis monteret)
- H. Luftindsugningsgitter
- I. Gasregulator (hvis monteret)
- J. Choker (hvis monteret)
- K. Brændstofhane (hvis monteret)
- L. Stopkontakt (hvis monteret)



A	SAE 30 - Under 4°C (40 °F) vil brugen af SAE 30 gøre det svært at starte.
B	10W-30 - Ved temp. over 27 °C (80 °F) kan brugen af 10W-30 medføre forhøjet olieforbrug. Kontrollér oliestanden oftere.
C	Syntetisk 5W-30
D	5W-30

Motorfaresymboler og deres betydninger

Symbol	Betydning	Symbol	Betydning
	Motorhastighed - HURTIG		Motorhastighed - LANGSOM
	Motorhastighed - STOP		TIL - FRA
	Motorstart - choker LUKKET		Motorstart - choker ÅBEN
	Brændstofdæksel Brændstofhane - ÅBEN		Brændstofhane - LUKKET
	Brændstofniveau - Undlad at overfylde		

Betjening

Olieanbefalinger

Oliekapacitet: Se afsnittet *Specifikationer*.

Vi anbefaler brugen af Briggs & Stratton garanti-certificerede olier til optimal ydelse. Andre olier af tilsvarende høj kvalitet er acceptable, hvis de er klassificeret til service SF, SG, SH, SJ eller højere. Undlad at bruge specielle tilsætningsstoffer.

Udendørstemperaturen er afgørende for den korrekte olieviskositet til motoren. Brug diagrammet til at vælge den bedste viskositet til det forventede udendørstemperatur interval.

Kontrollér oliestand

Se figur: 4

Før påfyldning eller kontrol af olien

- Kontrollér, at motoren står plant.
- Rengør oliepåfyldningsområdet for affaldsrester.

1. Tag oliepinde (A, figur 4) ud, og tør den af med en ren klud.
2. Sæt oliepinde (A, figur 4), og spænd den.
3. Træk oliepinde op, og kontrollér oliestanden. Du finder den korrekte oliestand øverst på fuld-indikatoren (B, figur 4) på oliepinde.
4. Hvis oliestanden er for lav, skal du langsomt påfylde olie i motoroliepåfyldningen (C, figur 4). **Undgå at overfylde.** Efter oliepåfyldningen vent et minut, og kontrollér så oliestanden.
5. Sæt oliepinde på plads, og spænd den igen (A, figur 4).

Anbefalet brændstof

Brændstoffet skal opfylde disse krav:

- Ren, frisk blyfri benzin.
- Minimum 87 oktan/87 AKI (91 RON). Anvendelse i store højder; se nedenfor.
- Benzin med op til 10 % etanol (gasohol) er acceptabelt.

BEMÆRK Der må ikke bruges ikke-godkendt benzin, som for eksempel E85. Der må ikke blandes olie i benzin, og der må ikke foretages ændringer på motoren for at køre med alternative brændstoffer. Brug af ikke-godkendt brændstof resulterer i skader på motorkomponenterne, som ikke vil være dækket af garantien.

For at beskytte brændstofsysteget mod dannelse af gummi kan en stabilisator iblandes brændstoffet. Se *Opbevaring*. Brændstoffer er forskellige. Såfremt du oplever start- eller driftsproblemer, så skift brændstof leverandør eller mærke. Motoren er certificeret til drift med benzin. Emissionskontrollsystemet for denne motor er EM (Engine Modifications).

Højder

Ved højder over 1.524 m (5.000 fod) er en minimum 85 oktan/85 AKI (89 RON) benzin acceptabel.

Til karburatormotorer kræves justering ved anvendelse i store højder for at opretholde driften. Drift uden disse justeringer vil medføre en nedgang i ydelse, en stigning i brændstofforbrug og øget emissioner. Besøg en autoriseret forhandler Briggs & Stratton for at få oplysninger om højde tilpasning. Drift af en motor, der er justeret til store højder, kan ikke anbefales i højder under 762 m (2.500 fod).

For motorer med elektronisk brændstofindsprøjtning (EFI), er det ikke nødvendigt at udføre justering ved anvendelse i store højder.

Påfyld brændstof

Se figur: 5



ADVARSEL

Benzin og benzindampe er yderst brandfarlige og eksplosive.

Brand eller eksplosion kan medføre alvorlige forbrændinger eller døden.

Under påfyldning af brændstof

- Sluk motoren og lad den køle af i mindst 2 minutter, før benzindækslet fjernes.
- Påfyld brændstof udendørs eller på et godt udluftet område.
- Overfyld ikke brændstoffranken. For at give plads til udvidelse skal du undlade at fylde op over bunden af tankens brændstoftank.
- Hold benzin væk fra gnister, åben ild, tændflammer, varme eller andre antændelseskilder.
- Kontroller hyppigt brændstoffledninger, tank, dæksel og beslag for revner eller lækage. Udskift efter behov.
- Hvis der bliver spildt brændstof, skal du vente til det er fordampet, før motoren startes.

1. Rengør brændstofdækslet for snavs og affaldsrester. Fjern brændstofdækslet.
2. Påfyld brændstoffranken (A, figur 5) med brændstof. For at give plads til udvidelse, undlad at fylde op over bunden af tankens brændstoftank (B).
3. Sæt dækslet tilbage på plads.

Start og stop motoren

Se figur: 6, 7, 8, 9

Start motoren



ADVARSEL

Hurtig tilbagetrækning af startsnoren (tilbageslag) vil bevirke, at din hånd og arm bliver trukket hurtigere mod motoren end du kan kontrollere.

Konsekvenserne kan være brækkede knogler, skrammer eller forstuvninger.

- Når du starter motoren, så træk langsomt i startsnoren indtil der mærkes modstand, og træk så kraftigt for at undgå tilbageslag.



ADVARSEL

Brændstof og brændstofdampe er yderst brandfarlige og eksplosive.

Brand eller eksplosion kan medføre alvorlige forbrændinger eller døden.

Når motoren startes

- Sørg for at tændrør, lydpotte, brændstofdæksel og luffilter (hvis monteret) er på plads og er fastspændte.
- Prøv ikke at starte motoren med tændrøret fjernet.
- Hvis motoren er druknet, så sæt chokeren (hvis monteret) på ÅBEN/KØR position, bevæg speederen (hvis monteret) over på positionen FAST, og bliv ved, indtil den starter.



ADVARSEL

FARE FOR GIFTIGE GASSER. Motorudstødning indeholder kulilte, som er en giftig gas, der kan dræbe på få minutter. Du KAN HVERKEN se det, lugte det eller smage det. Selv om du ikke kan lugte udstødningsgasser, kan du stadigvæk være udsat for kulilteforgiftning. Hvis du begynder at føle dig utilpas, svimmel eller svag under betjening af denne maskine, skal du stoppe den og sørge for at få frisk luft OMGÅENDE. Søg lægehjælp. Du kan være udsat for kulilteforgiftning.

- Dette produkt må KUN betjenes udenfor, langt fra vinduer, døre og ventilationsanlæg for at reducere risikoen for, at der samler sig kulilte, som kan ledes til områder, hvor der befinder sig folk.
- Installer batteridrevne kuliltealarmer eller strømtilsluttede alarmer med batterisupport i henhold til producentens vejledning. Røgalarmer kan ikke registrere kulilte.
- DU MÅ IKKE betjene denne maskine indendørs i hjem, garager, kældre, krybekældre, skure eller på andre delvist lukkede steder, også selvom du bruger ventilatorer eller har åbne døre og vinduer for at sikre ordentlig ventilation. Kulilte kan hurtigt akkumuleres på sådanne steder og kan vare ved i timevis, efter at maskinen er blevet afbrudt.
- Placer ALTID dette produkt i vindretningen, og lad motorens udstødning vende væk fra områder, hvor der opholder sig folk.

BEMÆRK Denne motor blev leveret af Briggs & Stratton uden olie. Inden du starter motoren, skal du sørge for at påfylde olie i overensstemmelse med vejledningerne i denne manual. Hvis du starter motoren uden olie, vil den blive beskadiget uden mulighed for at reparere den, og det er ikke omfattet af garantien.

Identificer startsystemet

Før du starter motoren, skal du fastslå den type af startsystem, der er på motoren. Motoren har en af følgende typer.

- **ReadyStart®-system:** Dette har en temperaturstyret automatisk choker. Den har ikke en manuel choker eller tipperfunktion.
- **Chokersystemet:** Det har en rød choker, som skal anvendes til start ved lave temperaturer. Nogle modeller har en separat chokerregulering, mens andre har en kombination af choker/gasregulering. Denne type har ikke en primer.

For at starte din motor skal du følge anvisningerne gældende for din type startsystem.

Bemærk: Udstyret kan have fjernbetjening. Se udstyrsmanualen for placering og betjening af fjernbetjeningen.

ReadyStart®-system

1. Kontroller motoroliestanden. Se afsnittet **Kontrol af olieniveau**.
2. Sørg for, at udstyrets kørselsbetjeningsanordninger, hvis monteret, er frakoblet.
3. Sæt brændstofhanen (A, figur 6) i positionen ÅBEN, hvis monteret.
4. Sæt gasregulatoren (B, figur 6), hvis monteret, i stillingen FAST. Betjen motoren i positionen FAST.
5. Tryk stopknappen (D, figur 7), hvis monteret, til stillingen TIL.
6. Hvis enheden er udstyret med et stophåndtag (C, figur 8), hold da stophåndtaget mod håndtaget.
7. **Genstart, hvis monteret:** Tag fat om startsnorens håndtag med et fast greb (G, figur 6). Træk langsomt i startsnorens håndtag, indtil der mærkes modstand, og træk så kraftigt til.



ADVARSEL

Hurtig tilbagetrækning af startsnoren (tilbageslag) vil bevirke, at din hånd og arm bliver trukket hurtigere mod motoren, end du kan kontrollere. Konsekvenserne kan være brækkede knogler, skrammer eller forstuvninger. Når du starter motoren, så træk langsomt i startsnoren indtil der mærkes modstand, og træk så kraftigt for at undgå tilbageslag.

8. **Elstarter, hvis monteret:** Drej elstarterkontakten til stillingen TIL/START.

BEMÆRK Starterens levetid kan forlænges ved at bruge korte startcyklusser (maks. fem sekunder). Vent ét minut mellem startcyklusserne.

Bemærk: Hvis motoren ikke starter efter gentagne forsøg, skal du kontakte din lokale forhandler eller gå til **BRIGGSandSTRATTON.com** eller ringe til **1-800-233-3723** (i USA).

Chokersystemet

1. Kontroller motoroliestanden. Se afsnittet **Kontrol af olieniveau**.
2. Sørg for, at udstyrets kørselsbetjeningsanordninger, hvis monteret, er frakoblet.
3. Sæt brændstofhanen (A, figur 6) i positionen ÅBEN, hvis monteret.
4. Sæt gasregulatoren (B, figur 6), hvis monteret, i stillingen FAST. Betjen motoren i positionen FAST.
5. Flyt chokerregulatoren (F, figur 9) til positionen LUKKET.

Bemærk: Det er normalt ikke nødvendigt at bruge choker, når man genstarter en varm motor.

6. Tryk stopknappen (D, figur 9), hvis monteret, til stillingen TIL.
7. Hvis enheden er udstyret med et stophåndtag (C, figur 8), hold da stophåndtaget mod håndtaget.
8. **Genstart, hvis monteret:** Tag fat om startsnorens håndtag med et fast greb (G, figur 6). Træk langsomt i startsnorens håndtag, indtil der mærkes modstand, og træk så kraftigt til.



ADVARSEL

Hurtig tilbagetrækning af startsnoren (tilbageslag) vil bevirke, at din hånd og arm bliver trukket hurtigere mod motoren, end du kan kontrollere. Konsekvenserne kan være brækkede knogler, skrammer eller forstuvninger. Når du starter motoren, så træk langsomt i startsnoren indtil der mærkes modstand, og træk så kraftigt for at undgå tilbageslag.

9. **Elstarter, hvis monteret:** Drej elstarterkontakten til stillingen TIL/START.

BEMÆRK Starterens levetid kan forlænges ved at bruge korte startcyklusser (maks. fem sekunder). Vent ét minut mellem startcyklusserne.

10. Når motoren bliver varm, skal du flytte chokerregulatoren (F, figur 9) til positionen ÅBEN/KØR.

Bemærk: Hvis motoren ikke starter efter gentagne forsøg, skal du kontakte din lokale forhandler eller gå til **BRIGGSandSTRATTON.com** eller ringe til **1-800-233-3723** (i USA).

Stop motoren



ADVARSEL



Brændstof og brændstofdampe er yderst brandfarlige og eksplosive.

Brand eller eksplosion kan medføre alvorlige forbrændinger eller døden.

- Brug ikke chokeren, hvis en choker er monteret, til at stoppe motoren.
1. **Motorens stophåndtag, hvis monteret:** Udløs motorens stophåndtag (E, figur 8).
Stopkontakt, hvis monteret: Drej stopkontakten (D, figur 7, 9) til positionen FRA.
Gasregulator (hvis monteret): Flyt gashåndtaget (B, figur 6) til positionen STOP.
Elektrisk startnøgle, hvis monteret: Drej den elektriske startnøgle til positionen OFF eller STOP. Tag nøglen ud og opbevar den på et sikkert sted uden for børns rækkevidde.
2. Efter at motoren er standset, drej brændstoffhanen (A, figur 6), hvis monteret, til positionen LUKKET.

Vedligeholdelse

BEMÆRK Hvis motoren hældes under vedligeholdelse, skal brændstoffet udtømmes og tændrørsiden skal vende op. Hvis brændstofftanken ikke er tom og hvis motoren bliver hældt i en anden retning, kan det være svært at starte motoren pga. olie eller brændstof forurener luftfilteret og/eller tændrøret.



ADVARSEL

Når der udføres vedligeholdelse, der kræver, at enheden vippe, skal brændstofftanken være tom, da brændstoffet ellers kan løbe ud og resultere i brand eller eksplosion.

Vi anbefaler, at du kontakter en autoriseret Briggs & Stratton forhandler vedrørende al vedligeholdelse og service af motoren og motordele.

BEMÆRK Alle dele i denne motor skal være korrekt placeret for at give korrekt funktion.



ADVARSEL



Gnister, som frembringes ved et uheld, kan medføre brand eller stød.

Uplanlagt start kan resultere i indvikling, traumatisk amputation eller lemlæstelse.

Brandfare

Inden påbegyndelse af justeringer eller reparationer:

- Fjern tændrørskablet og hold det på behørig afstand af tændrøret.
- Fjern batteripakken fra motorens batteribakke. Batteripakken kan i nogle tilfælde repræsentere udstyrsgnellen.
- Brug passende redskaber.
- **FORETAG ALDRIG** ændring af regulatorfjederen, forbindelser eller andre dele for at øge motorens omdrejningstal.

- Reservedelene skal have samme udformning og de skal placeres på præcist samme måde som de originale dele. Andre reservedele vil ikke give den samme ydelsesgrad, kan ødelægge maskinen og resultere i personskaade.
- Slå aldrig på svinghjulet med en hammer eller en hård genstand, da dette kan få svinghjulet til at splintres under drift.

Under test af gnister:

- Brug en godkendt tændrørstester.
- Test ikke for gnist med tændrøret fjernet.

Udførelse af udledningskontrol

Vedligeholdelse, udskiftning eller reparation af udledningskontrolenheder og systemer kan udføres af et ikke autoriseret værksted eller af en enkeltperson. For at få udført udledningskontrolservice "uden beregning" skal arbejdet imidlertid udføres af en autoriseret forhandler. Se erklæringer om udledningskontrol.

Vedligeholdelsesskema

Før hver brug
<ul style="list-style-type: none"> • Kontrollér motorens oliestand • Rengør området omkring lydpotte og styring • Rengør luftindsugningsgitteret
For hver 25 driftstimer eller én gang årligt
<ul style="list-style-type: none"> • Rengør luftfiltret ¹ • Rengør forfilteret (hvis monteret)
For hver 50 driftstimer eller én gang årligt
<ul style="list-style-type: none"> • Servicer udstødningssystemet
Årligt
<ul style="list-style-type: none"> • Udskifte tændrør • Udskift luftfilter • Udskift forfilter (hvis monteret) • Servicer kølesystemet ¹

¹ Under støvede forhold eller når luftbåret snavs er til stede, rengør da oftere.

Karburator og motorhastighed

Foretag aldrig justering af karburator og motorhastighed. Karburatoren er fabriksindstillet til at virke effektivt under de fleste omstændigheder. Undlad at røre ved regulatorfjederen, forbindelser eller andre dele der er med til at øge motorens hastighed. Hvis der er behov for justering, så kontakt en autoriseret serviceforhandler fra Briggs & Stratton for service.

BEMÆRK Denne udstyrsfabrikant specificerer maks. hastighed for motoren, som er installeret på udstyret. **Overskrid ikke** denne hastighed. Hvis du ikke er sikker på, hvad maks. hastigheden er på udstyret, eller hvilken motorhastighed, der er indstillet fra fabrikken af, så kontakt en autoriseret serviceforhandler fra Briggs & Stratton for hjælp. For sikker og korrekt brug af udstyret, skal motorhastigheden kun justeres af en uddannet servicetekniker.

Servicer tændrør

Se figur: 10

Kontroller afstanden (A, figur 10) med en afstandsmål (B). Om nødvendigt genindstil afstanden. Monter og fastspænd tændrøret til det anbefalede moment. Mht. afstandsindstilling og moment, se afsnittet **Specifikationer**.

Bemærk: Nogle steder kræver lokal lovgivning anvendelse af et modstands tændrør for at undertrykke tændingssignaler. Hvis motoren oprindeligt var udstyret med et modstands tændrør, så brug den samme type når du udskifter.

Servicering af udstødningssystem



ADVARSEL



Kørende motorer danner varme. Motordele, især lydpotten, bliver ekstremt varme.

Kontakt med varme dele kan forårsage alvorlige forbrændinger.

Der kan gå ild i brændbart affald, som f.eks. blade, græs og grene.

- Lad lydpotte, motorcylinder og køleribber køle af, før du rører ved dem.
- Fjern brændbart materiale fra området omkring lydpotten og cylinderen.
- Det er en overtrædelse af staten Californiens offentlige ressource forskrifter, afsnit 4442 at bruge eller betjene motoren på ethvert skov-, krat- eller græsdaekket område medmindre udstødningssystemet er forsynet med en korrekt vedligeholdt gnistfanger, som beskrevet i afsnit 4442. Andre stater eller forbundsområder kan have tilsvarende love. Kontakt en autoriseret serviceforhandler angående anskaffelse af en gnistfanger, der er konstrueret til det udstødningssystem, der er monteret på den pågældende maskine.

Fjern brændbart materiale fra området omkring lydpotten og cylinderen. Kontrollér lydpotten for revner, korrosion eller andre skader. Fjern gnistaflederen, hvis den er monteret, og kontrollér den for skader eller karbonblokering. Hvis der er skade, skal der monteres reservedele, før brug.



ADVARSEL

Reservedelene skal have samme udformning og de skal placeres på præcist samme måde som de originale dele. Andre reservedele vil ikke give den samme ydelsesgrad, kan ødelægge maskinen og resultere i personskade.

Skift motorolie

Se figur: 11, 12, 13



ADVARSEL

Brændstof og brændstofdampe er yderst brandfarlige og eksplosive.

Brand eller eksplosion kan medføre alvorlige forbrændinger eller døden.

Kørende motorer danner varme. Motordele, især lydpotten, bliver ekstremt varme.

Kontakt med varme dele kan forårsage alvorlige forbrændinger.

- Når du tømmer olien fra oliepåfyldningsrøret i toppen, skal brændstoftanken være tom, da brændstoffet ellers kan løbe ud og resultere i brand eller eksplosion.
- Lad lydpotte, motorcylinder og køleribber køle af, før du rører ved dem.

Kontroller, og påfyld olie efter behov. Se afsnittet Sådan kontrollerer/påfylder du olie. Et olieskift er ikke påkrævet, men hvis du vil skifte olien, skal du følge nedenstående procedure.

Brugt olie er et farligt affaldsprodukt og skal bortskaffes på passende måde. Undgå at bortkaste sammen med husholdningsaffald. Undersøg med de lokale myndigheder, servicecenter eller forhandler hvordan man kan komme af med det på en genbrugsstation.

Aftapning af olie

Olien skal udtømmes fra toppen ved hjælp af oliepåfyldningsslangen.

1. Med motoren standset, men stadig varm, trækkes ledningen til tændrøret ud (D, figur 11) og holdes væk fra tændrøret (E).
2. Fjern oliepinde (A, figur 12).
3. Hvis du udtømmer olien fra toppen ved hjælp af oliepåfyldningsslangen (C, figur 13), holdes tændrøret (E) væk fra motoren. Udtøm olien i en godkendt beholder.



ADVARSEL

Når du tømmer olien fra oliepåfyldningsrøret i toppen, skal brændstoftanken være tom, da brændstoffet ellers kan løbe ud og resultere i brand eller eksplosion. For at tømme brændstoftanken lad motoren køre indtil den standser pga. mangel på brændstof.

Påfyldning af olie

- Kontrollér, at motoren står plant.
- Rengør oliepåfyldningsområdet for affaldsrester.
- Se **Specifikationsafsnittet** mht. oliekapacitet.

1. Fjern oliepinde (A, figur 12), og tør den af med en ren klud.
2. Hæld olie langsomt i motorpåfyldningen (C, figur 12). **Undgå at overfylde.** Efter oliepåfyldningen vent et minut, og kontrollér så oliestanden.
3. Sæt oliepinde i, og spænd den (A, figur 12).
4. Træk oliepinde op, og kontrollér oliestanden. Du finder den korrekte oliestand øverst på indikatoren for fuld (B, figur 12) på oliepinde.
5. Sæt oliepinde på plads, og spænd den igen (A, figur 12).

6. Forbind ledningen til tændrøret (D, figur 11) med tændrøret (E).

Serviceer luffilter

Se figur: 14



ADVARSEL

Benzin og benzindampe er yderst brandfarlige og eksplosive.

Brand eller eksplosion kan medføre alvorlige forbrændinger eller døden.

- Start aldrig motoren eller lad den køre uden luftrensningsmontagen (om nødvendigt) eller uden luffilteret (om nødvendigt).

BEMÆRK Undlad at bruge komprimeret luft eller rengøringsmidler til rengøring af filteret. Komprimeret luft kan beskadige filteret og rengøringsmidler vil opløse filteret.

Se **vedligeholdelsesoversigten** for servicekrav.

Papirlufffilter

1. Åben dækslet (B, figur 14).
2. Fjern filteret (C figur 14).
3. Afmonter forfilteret (E, figur 14), hvis monteret, fra filteret. For at løse rester bankes filteret forsigtigt mod en hård overflade. Hvis filteret er meget snavset bør det udskiftes med et nyt.
4. Vask forfilteret i flydende rengøringsmiddel og vand. Lad herefter forfilteret lufttørre grundigt. **Smør ikke** olie på forfilteret.
5. Saml det tørre forfilter, hvis monteret, på filteret.
6. Monter filteret (C, figur 14).
7. Luk dækslet (B, figur 14).

Serviceer af kølesystem



ADVARSEL

Kørende motorer danner varme. Motordele, især lydpotten, bliver ekstremt varme.

Kontakt med varme dele kan forårsage alvorlige forbrændinger.

Der kan gå ild i brændbart affald, som f.eks. blade, græs og grene.

- Lad lydpotte, motorcylinder og køleribber køle af, før du rører ved dem.
- Fjern brændbart materiale fra området omkring lydpotten og cylinderen.

BEMÆRK Brug ikke vand til at rengøre motoren Vand kan forurene brændstofsysteet Brug i stedet en børste eller en tør klud til at rengøre motoren.

Dette er en luftkølet motor. Dette er en luftkølet motor. Snavs og rester kan begrænse luftstrømmen og resultere i overhedning af motoren med forringet ydelse og reduceret levetid af motoren til følge.

1. Anvend en børste eller en tør klud til at fjerne snavs fra luftindsugningsområdet.
2. Sørg for, at forbindelseskabler, fjedre og betjeningsgreb er rene
3. **Æ** Hold området omkring og bag ved lydæmperen fri for græs eller snavs for at undgå antænding af dette
4. Kontrollér, at olie køleribberne, hvis monteret, er fri for snavs og affald.

Med tiden kan der samle sig snavs i cylinderens køleribber, hvilket kan medføre overophedning af motoren Dette snavs kan ikke ses uden delvist at adskille motoren Få en autoriseret serviceforhandler fra Briggs & Stratton til at inspicere og rengøre luftkølesystemet som anbefalet i **Vedligeholdelsesoversigten**.

Opbevaring



ADVARSEL

Brændstof og brændstofdampe er yderst brandfarlige og eksplosive.

Brand eller eksplosion kan medføre alvorlige forbrændinger eller døden.

Opbevaring af brændstof og redskaber med brændstof i tanken

- Opbevar væk fra fyr, ovne, vandvarmere eller andet udstyr, som kan have en tændflamme eller anden antændelseskilde, fordi de kan antænde benzindampe.

BEMÆRK Opbevar motoren plant (almindelig driftsposition). For yderligere anvisninger angående opbevaring se udstyrsmanualen.

Brændstofsistem

Brændstof kan blive forældet når det opbevares i over 30 dage. Gammelt brændstof kan forårsage dannelse af syre- og gummi aflejringer i brændstofsystemet eller på væsentlige karburatordele. For at bevare brændstoffet frisk, skal du anvende **Briggs & Stratton Advanced Formula Fuel Treatment & Stabilizer**, der fås hos enhver autoriseret Briggs & Stratton forhandler der sælger reservedele.

Der er ingen grund til at tømme motoren for brændstof, hvis en brændstofstabilisator anvendes i følge vejledningen. Lad motoren køre i to (2) minutter for at stabilisatoren kan cirkulere gennem brændstofsystemet inden opbevaring.

Hvis benzinen i motoren ikke er blevet behandlet med en brændstof stabilisator, skal den udtømmes i en godkendt beholder. Lad motoren køre, indtil der ikke er mere brændstof tilbage. Brugen af en brændstof stabilisator i opbevaringsbeholderen anbefales for at bevare det frisk.

Motorolie

Olieskift er ikke påkrævet, men hvis du beslutter at skifte olie, skal den skiftes mens motoren er varm. Se afsnittet **Skift af motorolie**.

Fejlfinding

Hvis du har brug for hjælp, skal du kontakte din lokale forhandler eller gå til **BRIGGSandSTRATTON.com** eller ringe til **1-800-233-3723** (i USA).

Specifikationer

Model: 100000	
Slagvolumen	9.93 ci (163 cc)
Boring	2.688 in (68,28 mm)
Slaglængde	1.75 in (44,45 mm)
Oliekapacitet	15 oz (,44 L)
Elektrodeafstand	.030 in (,76 mm)
Tilspændingsmoment for tændrør	180 lb-in (20 Nm)
Rotorelektrodeafstand	.006 - .014 in (,15 - ,36 mm)
Ventilspillerum (indsugning)	.004 - .008 in (,10 - ,20 mm)
Ventilspillerum (udstødning)	.004 - .008 in (,10 - ,20 mm)

Model: 093J00	
Slagvolumen	9.15 ci (150 cc)
Boring	2.583 in (65,60 mm)
Slaglængde	1.75 in (44,45 mm)
Oliekapacitet	15 oz (,44 L)
Elektrodeafstand	.020 in (,51 mm)
Tilspændingsmoment for tændrør	180 lb-in (20 Nm)
Rotorelektrodeafstand	.006 - .014 in (,15 - ,36 mm)
Ventilspillerum (indsugning)	.004 - .008 in (,10 - ,20 mm)
Ventilspillerum (udstødning)	.004 - .008 in (,10 - ,20 mm)

Motoreffekten falder med 3,5 % for hver 300 m over havets overflade og med 1 % for hver 5,6 °C over 25 °C. Motoren kan køre tilfredsstillende ved en hældning på op til 15°. Yderligere oplysninger om grænseværdierne for drift på hældninger findes i redskabets betjeningsvejledning.

Reservedele - Model: 100000, 093J00	
Reserve del	Delnummer
Luffilter (se figur 14)	593260
Forfilter til luffilter (se figur 14)	594055
Olie - SAE 30	100113
Advanced Formula Fuel Treatment & Stabilizer	100117, 100120
Tændrør med resistor (Model 100000)	594056
Tændrør med resistor (Model 093J00)	692051
Tændrørsmøgle	19576
Gnisttester	19368

Vi anbefaler, at du kontakter en autoriseret Briggs & Stratton forhandler vedrørende al vedligeholdelse og service af motoren og motordele.

Effektangivelse: Bruttoeffekten for hver enkelt benzinmotormodel er afmærket i henhold til SAE-kode J1940 (Society of Automotive Engineers) - procedure til angivelse af effekt og moment for små motorer - og angivet i henhold til SAE J1995. Momentværdier afledes ved 2600 o./min. for motorer med "rpm" på mærkaten, og 3060 o./min for alle andre. Hestekræftværdier afledes ved 3600 o./min. Bruttoeffektkurverne kan ses på www.BRIGGSandSTRATTON.com. Nettoeffektværdier bliver målt med udstødnings- og luffilter monteret, hvorimod bruttoeffektværdier bliver målt uden disse anordninger. Bruttomotoreffekten vil være højere end den faktiske nettomotoreffekt, som påvirkes bl.a. af lokale driftsforhold og variationer fra motor til motor. I betragtning af de mange forskellige produkter, motorerne anvendes i, yder benzinmotoren måske ikke den nominelle bruttoeffekt, når den anvendes på et givent motorredskab. Denne forskel skyldes en lang række forskellige faktorer, som blandt andet kan omfatte forskelle i motorkomponenter (luffilter, udstødning, opladning, køling, karburator, brændstofpumpe osv.), anvendelsesbegrænsninger, lokale driftsforhold (temperatur, luftfugtighed, højde over havet) og variationer fra motor til motor. Som følge af produktions- og kapacitetsbegrænsninger forbeholder Briggs & Stratton sig ret til at udskifte motoren i denne serie med en motor med højere nomineret effekt.

Garanti

Briggs & Stratton – Motorgaranti

Gældende fra januar 2016

Begrænset garanti

Briggs & Stratton vil i den nedenfor angivne garantiperiode uden betaling reparere og/eller udskifte enhver del, som har materialedefekter, fremstillingsdefekter eller begge dele. Transportomkostninger i forbindelse med et produkt, som indleveres til reparation eller udskiftning under denne garanti, afholdes af køberen. Denne garanti er gyldig inden for tidsperioderne og underlagt nedenstående betingelser. I forbindelse med garantiservice, finder du den nærmeste autoriserede serviceforhandler på vores forhandlerkort på www.BRIGGSandSTRATTON.com. Køberen skal kontakte den autoriserede serviceforhandler og derefter stille produktet til rådighed for den autoriserede serviceforhandler til inspektion og test.

Der ydes ikke nogen anden udtrykkelig garanti. Underforståede garantier, inklusive garantier for salgbarhed og velegnethed til et bestemt formål, er begrænset til nedenstående garantiperiode eller i den udstrækning, som loven tillader. I den udstrækning gældende lov tillader det, er ansvar for tilfældig skade eller følgeskade ikke omfattet. Visse stater eller lande tillader ikke begrænsninger på, hvor lang tid en underforstået garanti varer, og visse stater eller lande tillader ikke udelukkelse eller begrænsning af tilfældig skade eller følgeskade, så ovenstående begrænsning og udelukkelse er måske ikke gældende for dig. Denne garanti giver dig specifikke juridiske rettigheder, og du kan endvidere have andre rettigheder, som kan variere fra land til land.

Vilkår for standardgaranti 1, 2

Mærke/produkt navn	Almindelig brug	Erhvervs mæssig brug
Vanguard™ ³	36 måneder	36 måneder
Commercial Turf Series™ ; kommerciel serie	24 måneder	24 måneder
Motorer med Dura-Bore™-støbejernsboring	24 måneder	12 måneder
Alle andre Briggs & Stratton motorer	24 måneder	3 måneder

¹ Dette er vores vilkår for standardgaranti, men der kan lejlighedsvist være ekstra garantidækning, der ikke var fastslået på tidspunktet for offentliggørelsen. Hvis du ønsker en liste over gældende garantivilkår for din motor, så gå til BRIGGSandSTRATTON.com, eller kontakt din autoriserede serviceforhandler for Briggs & Stratton.

² Der er ikke garanti for motorer på udstyr, der bruges til priming i stedet for et værktøj eller til standby-generatorer, der anvendes til kommercielle formål. Motorer, der anvendes til konkurrencemæssig motorsport eller på erhvervs- eller udlejningsbaner, er ikke omfattet af garantien.

³ Vanguard installeret på standby-generatorer: 24 måneder almindeligt brug. Der gives ikke garanti ved erhvervs mæssig brug. Vanguard installeret på hjælpeværktøjer: 24 måneder almindeligt brug, 24 måneder ved erhvervs mæssig brug. Vanguard 3-cylindret, væskekølet: Se Briggs & Stratton 3/LC – Motorgarantipolitik.

⁴ I Australien - Vores produkter sælges med en garanti, der ikke kan bortfalde i henhold til den australske forbrugerlovgivning. Du har ret til en erstatning eller refusion for en større defekt og til godtgørelse af eventuelle andre tab eller skader, der med rimelighed kan forudses. Du er også berettiget til at få produktet repareret eller udskiftet, hvis produktet ikke er af acceptabel kvalitet, og defekten ikke udgør en større defekt. Alle henvendelser i forbindelse med garantiservice skal foregå til den nærmeste autoriserede serviceforhandler der kan ses på vores kort på BRIGGSandSTRATTON.com eller ring på 1300 274 447 eller skriv til salesenquires@briggsandstratton.com.au, eller Briggs & Stratton Australia Pty Ltd, 1 Moorebank Avenue, Moorebank, NSW, Australia, 2170.

Garantiperioden starter på købsdatoen for den første almindelige eller erhvervmæssige bruger. "Privat brug" betyder brug i personlig beboelsesmæssig husholdning af en detailkunde. "Erhvervmæssig brug" betyder al anden form for brug, inklusiv erhvervmæssige, indkomstdannende eller lejebaserede formål. Når en motor har været anvendt erhvervmæssigt, skal den herefter anses for at være en motor til erhvervsbrug i henhold til denne garanti.

Gem dit købsbevis. Hvis du ikke kan fremvise dokumentation for den oprindelige købsdato på det tidspunkt, hvor garantikravet gøres gældende, vil produktets fremstillingsdato blive brugt som grundlag for garantiperioden. Produktregistrering kræves ikke for at opnå garantiservice på produkter fra Briggs & Stratton.

Om garantien

Denne garanti dækker alene motor-relaterede materiale- og/eller fremstillingsfejl og ikke udskiftning eller tilbagebetaling for det redskab, hvorpå motoren måtte være monteret. Rutinemæssig vedligeholdelse, hovedeftersyn, justeringer eller normal slitage dækkes ikke under denne garanti. På samme måde gælder denne garanti heller ikke, hvis motoren er ændret eller modificeret, eller hvis motorens serienummer er ødelagt eller fjernet. Denne garanti dækker ikke motorskade eller driftsproblemer som følge af :

1. Brug af dele, der ikke er originale dele fra Briggs & Stratton;
2. Betjening af motoren med utilstrækkelig, forurenede eller forkert type olie;
3. Brug af forurenede eller gammel olie, benzin med mere end 10 % etanol eller brug af alternative brændstoffer som petroleumsvæske eller naturgas på motorer, der ikke oprindeligt er udviklet/fremstillet af Briggs & Stratton til at fungere med sådanne brændstoffer;
4. Snavs, der er trængt ind i motoren på grund af utilstrækkelig vedligeholdelse af luftrensesystemet eller genmontering;
5. Stød mod et objekt med skærebladet i en roterende plæneklipper, løse eller forkert installerede bladadaptere, rotor eller andet krumtapsakselkoblet udstyr eller for høj V-remspænding;
6. Tilhørende dele eller tilbehør som koblinger, transmissioner, udstyrskontroller osv., som ikke leveres af Briggs & Stratton;
7. Overophedning på grund af græsslåning, snavs og affald eller gnaverredere, der tilstopper kølefinerne eller svinghjulsområdet eller drift af motoren uden tilstrækkelig ventilation;
8. Overdreven vibration på grund af for høj hastighed, løs motormontering, løse eller ubalancerede skæreblade eller rotor eller forkert kobling af udstyrskomponenter på krumtapsakslen;
9. Misbrug, mangel på rutinevedligeholdelse, forsendelse, håndtering eller udstyrets opbevaring på lager eller forkert motorinstallation.

Garantiservice kan kun fås gennem autoriserede serviceforhandlere fra Briggs & Stratton. Find din nærmeste serviceforhandler på vores forhandlerkort på BRIGGSandSTRATTON.COM, eller ved at ringe til 1-800-233-3723 (i USA).

80004537 (Rev.B)

Dieses Handbuch enthält Sicherheitshinweise, die Sie auf die Gefahren und Risiken beim Betrieb von Motoren hinweisen und Ihnen helfen sollen, diese Gefahren zu vermeiden. Es enthält außerdem Anweisungen zur richtigen Verwendung und Pflege des Motors. Da Briggs & Stratton nicht genau wissen kann, welches Gerät von diesem Motor angetrieben wird, ist es wichtig, dass Sie diese Anweisungen sowie die Anweisungen für das Gerät, das von diesem Motor angetrieben wird, gründlich durchlesen. **Bewahren Sie diese Original-Bedienungsanleitung zum späteren Nachschlagen auf.**

Hinweis: Die Abbildungen und Illustrationen in dieser Anleitung dienen nur zur Orientierung und können vom jeweiligen Modell abweichen. Wenden Sie sich bei Fragen an Ihren Händler.

Um in Zukunft Ersatzteile oder technische Unterstützung für Ihren Motor zu erhalten, sollten Sie sich hier die Modell-, Typen- und Codenummer Ihres Motors sowie das Kaufdatum notieren. Diese Nummern befinden sich an Ihrem Motor (siehe Abschnitt **Funktionen und Bedienungselemente**).

Kaufdatum	
Motormodell – Typ – Trim	
Motorseriennummer	

An einigen Motoren befindet sich ein 2D-Barcode. Wenn der Code mit einem 2D-Gerät gescannt wird, wird unsere Website aufgerufen, auf der Sie Informationen zu diesem Produkt bekommen können. Es gelten entsprechende Datenraten. In einigen Ländern ist möglicherweise keine Online-Unterstützung verfügbar.



Recycling-Informationen

		Alle Verpackungsmaterialien, Altöl und Batterien müssen entsprechend den geltenden gesetzlichen Bestimmungen recycelt werden.
--	--	---

Bedienersicherheit

Sicherheitswarnsymbol und Signalwörter

Das Sicherheitswarnsymbol kennzeichnet Sicherheitsinformationen zu Risiken, die zu Verletzungen führen können. Ein Signalwort (GEFAHR, WARNUNG oder VORSICHT) wird zusammen mit dem Warnsymbol verwendet, um den Grad der Gefahr und die Schwere der möglichen Verletzung anzugeben. Darüber hinaus kann ein Gefahrensymbol zur Kennzeichnung der Art der Gefahr benutzt werden.

GEFAHR weist auf eine Gefahr hin, die **zum Tod oder zu schweren Verletzungen führt**, wenn sie nicht vermieden wird.

WARNUNG weist auf eine Gefahr hin, die **zum Tod oder zu schweren Verletzungen führen könnte**, wenn sie nicht vermieden wird.

VORSICHT weist auf eine Gefahr hin, die **zu leichten bis mittelschweren Verletzungen führen könnte**, wenn sie nicht vermieden wird.

HINWEIS weist auf eine Situation hin, in der **das Produkt beschädigt werden könnte**.

Gefahrensymbole und ihre Bedeutung

Symbol	Bedeutung	Symbol	Bedeutung
	Sicherheitsinformationen zu Gefahren, die zu Verletzungen führen können.		Lesen Sie sich die Bedienungsanleitung gründlich durch, bevor Sie das Gerät einsetzen oder warten.

Symbol	Bedeutung	Symbol	Bedeutung
	Feuergefahr		Explosionsgefahr
	Stromschlaggefahr		Gefährdung durch giftige Dämpfe
	Gefährdung durch heiße Oberflächen		Lärmgefährdung – bei längerem Einsatz wird ein Gehörschutz empfohlen.
	Gefährdung durch hochgeschleuderte Gegenstände – Augenschutz tragen.		Explosionsgefahr
	Erfrierungsgefahr		Rückschlaggefahr
	Amputationsgefahr – bewegliche Teile		Gefährdung durch Chemikalien
	Gefährdung durch Wärme		Ätzend

Sicherheitshinweise

WARNUNG

Einige Komponenten in diesem Produkt und anverwandtes Zubehör enthalten Chemikalien, die im Staat Kalifornien als Erreger von Krebs, Geburtsschäden oder anderen Fortpflanzungsschäden gelten. Nach Arbeiten an diesen Komponenten die Hände waschen.

WARNUNG

Die Motorabgase dieses Produkts enthalten Chemikalien, die in Kalifornien als Erreger von Krebs, Geburtsschäden und anderen Fortpflanzungsschäden gelten.

WARNUNG

Motoren von Briggs & Stratton sind nicht konzipiert und nicht geeignet für den Antrieb von: Fun-Karts, Go-Karts, Freizeitfahrzeugen für Kinder, Geländefahrzeugen für den Motorsport, Motorrädern, Luftkissenfahrzeugen, Luftfahrzeugen oder Fahrzeugen für den Rennsport, wenn dies nicht von Briggs & Stratton genehmigt ist. Für weitergehende Informationen zu Rennsportprodukten siehe www.briggsracing.com. Für Informationen zu Utility- und Side-by-Side-Quads wenden Sie sich bitte an das „Briggs & Stratton Motor Application Center“, 1-866-927-3349. Unangemessener Einsatz der Motoren kann zu schweren Verletzungen oder zum Tod führen.

HINWEIS

Dieser Motor wird von Briggs & Stratton ohne Öl geliefert. Vor Start des Motors muss entsprechend den Anweisungen in dieser Anleitung Öl nachgefüllt werden. Wenn der Motor ohne Öl gestartet wird, wird er so beschädigt, dass er nicht mehr repariert werden kann. Dieser Schaden wird nicht von der Garantie abgedeckt.

WARNUNG

Kraftstoff und Kraftstoffdämpfe sind extrem leicht entflammbar und explosiv.

Feuer oder Explosionen können zu schweren Verbrennungen oder Tod führen.

Bei der Betankung

- Den Motor ausschalten und mindestens 2 Minuten lang abkühlen lassen, bevor der Tankdeckel abgenommen wird.
- Den Tank im Freien oder an einem gut belüfteten Ort auffüllen.
- Den Tank nicht überfüllen. Um dem Kraftstoff Platz zum Ausdehnen zu lassen, nicht über die Unterkante des Kraftstofftankstutzens hinaus füllen.
- Den Kraftstoff von Funken, offenen Flammen, Zündflammen, Hitze oder anderen Zündquellen fern halten.
- Kraftstoffleitungen, Tank, Tankdeckel und Anschlüsse regelmäßig auf Risse und Undichtigkeiten überprüfen. Bei Bedarf austauschen.
- Wenn Kraftstoff verschüttet wurde, warten, bis sich die Dämpfe verflüchtigt haben, bevor der Motor gestartet wird.

Beim Starten des Motors

- Darauf achten, dass Zündkerze, Schalldämpfer, Tankdeckel und Luftfilter (falls vorhanden) an ihrem Platz und sicher befestigt sind.
- Den Motor nicht anlassen, wenn die Zündkerze entfernt wurde.
- Wenn der Motor überfettet ist, den Choke (falls vorhanden) auf OFFENE/BETRIEBS-Position und den Gashebel (falls vorhanden) auf SCHNELLE Position stellen und den Motor anlassen, bis er anspringt.

Beim Betrieb des Geräts

- Den Motor bzw. das Gerät nicht so kippen, dass Kraftstoff verschüttet werden könnte.
- Zum Stoppen des Motors nicht den Choke benutzen.
- Niemals den Motor mit abgenommenem Luftfilter (falls vorhanden) oder Filtereinsatz (falls vorhanden) starten oder laufen lassen.

Beim Ölwechsel

- Wenn das Öl aus dem oberen Öleinfüllrohr abgelassen wird, muss der Kraftstofftank leer sein, weil sonst Kraftstoff auslaufen und Feuer oder Explosionen verursachen kann.

Wenn das Gerät zur Wartung gekippt wird

- Bei Wartungsarbeiten, bei denen das Gerät gekippt werden muss, muss der Kraftstofftank leer sein, weil sonst Kraftstoff auslaufen und Feuer oder Explosionen verursachen kann.

Beim Transport des Geräts

- Beim Transport muss der Kraftstofftank LEER oder der Kraftstoffhahn GESCHLOSSEN sein.

Beim Lagern von Kraftstoff oder von Geräten mit Kraftstoff im Tank

- Das Gerät muss immer außerhalb der Reichweite von Brennöfen, Heizöfen, Wasserkochern oder anderen Geräten gelagert werden, die über eine Zündflamme oder andere Zündquellen verfügen, durch die Kraftstoffdämpfe entzündet werden könnten.



WARNUNG

Beim Start des Motors werden Funken erzeugt.

Funken können entflammbare Gase in der Nähe entzünden.

Es kann zu Feuer und Explosionen kommen.

- Wenn sich undichte Gasleitungen in der Nähe befinden, darf der Motor nicht gestartet werden.
- Keine unter Druck stehenden Startflüssigkeiten verwenden, weil sich ihre Dämpfe entzünden könnten.



WARNUNG

GIFTGASGEFAHR. Motorabgase enthalten Kohlenmonoxid, ein giftiges Gas, das einen Menschen innerhalb weniger Minuten töten kann. Es ist unsichtbar, geruchs- und geschmacklos. Auch wenn Sie Abgase nicht riechen, können Sie trotzdem Kohlenmonoxid ausgesetzt sein. Wenn Sie sich während der Benutzung dieses Geräts übel, schwindlig oder schwach fühlen, schalten Sie das Gerät aus und gehen Sie SOFORT an die frische Luft. Suchen Sie einen Arzt auf. Sie könnten eine Kohlenmonoxidvergiftung haben.

- Dieses Produkt darf NUR im Freien in angemessener Entfernung von Fenstern, Türen und Lüftungsöffnungen eingesetzt werden, damit sich Kohlenmonoxid nicht ansammeln und möglicherweise in Räume eindringen kann, in denen sich Menschen aufhalten.

- Installieren Sie batteriebetriebene Kohlenmonoxid-Warmmelder oder netzbetriebene Warmmelder mit Batterie-Notstromversorgung entsprechend den Herstelleranweisungen. Rauchmelder reagieren nicht auf Kohlenmonoxid.
- Dieses Gerät darf NICHT in Wohnungen, Garagen, Kellern, Zwischenräumen, Schuppen oder anderen teilweise geschlossenen Räumen laufen, selbst wenn Ventilatoren oder offene Fenster zur Belüftung benutzt werden. Kohlenmonoxid kann sich schnell in diesen Räumen ansammeln und dort stundenlang bleiben, auch nachdem das Gerät ausgeschaltet wurde.
- Dieses Produkt muss IMMER in Windrichtung aufgestellt und der Motorauspuff von Räumen weggerichtet werden, in denen sich Menschen aufhalten.



WARNUNG

Durch schnellen Rückzug des Starterseils werden Hand und Arm schneller zum Motor gezogen, als das Seil losgelassen werden kann.

Es kann zu Knochenbrüchen, Quetschungen und Verstauchungen kommen.

- Beim Start des Motors langsam am Starterseil ziehen, bis Widerstand spürbar wird. Dann schnell ziehen, um zu verhindern, dass das Seil zurückspringt.
- Alle externen Geräte- und Motorlasten beseitigen, bevor der Motor gestartet wird.
- Direkt mit dem Motor verbundene Gerätekomponten wie Schnittmesser, Impeller, Seilscheiben, Zahnräder usw. müssen sicher befestigt sein.



WARNUNG

Rotierende Teile können mit Händen, Füßen, Haaren, Kleidungsstücken oder Schmuck in Berührung kommen und sich darin verfangen.

Es kann zu Amputationen oder anderen schweren Verletzungen kommen.

- Beim Einsatz des Geräts müssen sich alle Schutzvorrichtungen an ihrem Platz befinden.
- Hände und Füße von rotierenden Teilen fern halten.
- Lange Haare hochstecken und Schmuck ablegen.
- Keine lose sitzende Kleidung, herunterbaumelnde Schnüre oder ähnliche Teile tragen, die sich verfangen könnten.



WARNUNG

Laufende Motoren erzeugen Wärme. Teile des Motors, insbesondere der Schalldämpfer, können sehr heiß werden.

Bei Berührung kann es zu schweren Verbrennungen kommen.

Brennbare Fremdkörper wie Laub, Gras usw. können sich entzünden.

- Schalldämpfer, Zylinder und Kühlrippen abkühlen lassen, bevor sie berührt werden.
- Fremdkörperansammlungen vom Schalldämpferbereich und Zylinderbereich entfernen.
- Der Einsatz des Geräts auf Wald-, Busch- oder Grasland verstößt gegen das kalifornische Gesetz (public resource code, section 4442), wenn die Auspuffanlage nicht mit einem vorgeschriebenen betriebsfähigen Funkenfänger ausgestattet ist. In anderen Bundesstaaten können ähnliche Gesetze gelten. Einen passenden Funkenfänger für die an diesem Motor installierte Auspuffanlage finden Sie beim Gerätehersteller oder Händler.



WARNUNG

Versehentliche Funkenbildung kann Feuer oder Stromschläge verursachen.

Ungewollter Start kann schwere Verletzungen verursachen.

Feuergefahr

Vor Einstellungs- oder Reparaturarbeiten:

- Das Zündkabel abziehen und von der Zündkerze fern halten.
- Die Batterie von der negativen Klemme lösen (nur Motoren mit Elektrostart)
- Die richtigen Werkzeuge verwenden.
- Nicht an Reglerfeder, Gestängen oder anderen Teilen herumbasteln, um die Drehzahl zu erhöhen.
- Ersatzteile müssen den Originalteilen entsprechen und in derselben Position angebracht werden. Andere Teile bringen eventuell nicht die gleiche Leistung, können das Gerät beschädigen und Verletzungen verursachen.

- Nicht mit einem Hammer oder anderen harten Gegenstand gegen das Schwungrad schlagen, weil es sonst später während des Betriebs auseinander platzen könnte.

Bei der Zündfunkenkontrolle:

- Einen zugelassenen Zündkerzenprüfer verwenden.
- Die Zündung nicht bei entfernter Zündkerze überprüfen.

Funktionen und Bedienungselemente

Bedienungselemente am Motor

Vergleichen Sie die Abbildung (Abb.: 1, 2, 3) mit Ihrem Motor, um die Positionen der einzelnen Funktionen und Bedienungselemente kennen zu lernen.

- A. Motorkennzeichnung **Modell - Typ - Code**
- B. Zündkerze
- C. Kraftstofftank und Deckel
- D. Luftfilter
- E. Starterseilgriff
- F. Ölmesstab
- G. Schalldämpfer, Berührungsschutz (falls vorhanden), Funkenfänger (falls vorhanden)
- H. Lufteinlassgitter
- I. Gashebel (falls vorhanden)
- J. Choke (falls vorhanden)
- K. Kraftstoffhahn (falls vorhanden)
- L. Stoppschalter (falls vorhanden)

Symbole zur Motorregelung und ihre Bedeutung

Symbol	Bedeutung	Symbol	Bedeutung
	Motordrehzahl – SCHNELL		Motordrehzahl – LANGSAM
	Motordrehzahl – STOPP		EIN – AUS
	Motorstart - Choke GESCHLOSSEN		Motorstart - Choke OFFEN
	Tankdeckel Kraftstoffhahn - OFFEN		Kraftstoffhahn - GESCHLOSSEN
	Kraftstoffstand - nicht überfüllen		

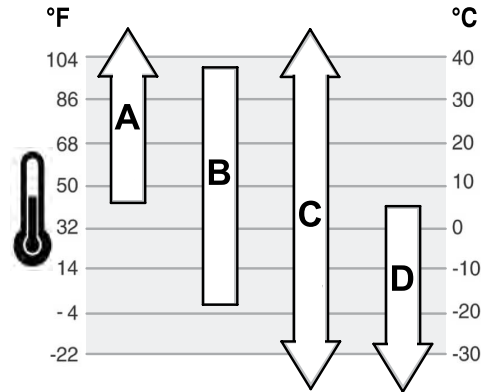
Betrieb

Empfehlungen zum Öl

Ölfassungsvermögen: Siehe Abschnitt *Technische Daten*.

Für optimale Leistung empfehlen wir Öle mit Briggs & Stratton-Garantiezertifikat. Andere hochwertige HD-Öle mit der Klassifizierung "for service SF, SG, SH, SJ" oder höher sind zulässig. Keine speziellen Zusätze verwenden.

Die Umgebungstemperaturen bestimmen die richtige Ölviskosität für den Motor. Wählen Sie die beste Viskosität für den voraussichtlichen Temperaturbereich anhand des Diagramms aus.



A	SAE 30 - Unter 40 °F (4 °C) führt die Verwendung von SAE 30 zu Startschwierigkeiten.
B	10W-30 - Über 80 °F (27 °C) kann die Verwendung von 10W-30 zu erhöhtem Ölverbrauch führen. Den Ölstand häufiger kontrollieren.
C	Syntheticöl 5W-30
D	5W-30

Ölstandskontrolle

Siehe Abbildung: 4

Vor dem Nachfüllen von Öl bzw. der Ölstandskontrolle

- Darauf achten, dass der Motor waagrecht steht.
- Schmutz vom Öleinfüllbereich entfernen.

1. Den Ölmesstab (A, Abb. 4) herausnehmen und mit einem sauberen Tuch abwischen.
2. Den Ölmesstab (A, Abb. 4) einsetzen und festziehen.
3. Den Ölmesstab herausziehen und den Ölstand kontrollieren. Bei korrektem Ölstand steht das Öl oben an der Voll-Marke (B, Abb. 4) am Ölmesstab.
4. Bei zu niedrigem Ölstand langsam Öl in die Motoröleinfüllöffnung (C, Abb. 4) gießen. **Nicht überfüllen.** Nach dem Einfüllen des Öls eine Minute warten und dann den Ölstand erneut kontrollieren.
5. Den Ölmesstab (A, Abb. 4) wieder einsetzen und festziehen.

Empfehlungen zum Kraftstoff

Kraftstoff muss diese Anforderungen erfüllen:

- Sauberes, frisches, unverbleites Benzin.
- Mindestens 87 Oktan/87 AKI (91 RON). Bei Verwendung in großen Höhen siehe die Informationen weiter unten.
- Benzin mit einem Ethanol-Anteil bis zu 10% (Gasohol) ist akzeptabel.

HINWEIS Keine ungenehmigten Benzinsorten wie E15 und E85 verwenden. Kein Öl mit dem Benzin mischen. Den Motor nicht so modifizieren, dass er mit alternativen Kraftstoffen laufen kann. Bei Verwendung nicht zugelassener Kraftstoffe entstehen Schäden an Motorkomponenten, die von der Garantie nicht abgedeckt werden.

Zum Schutz der Kraftstoffanlage vor Kraftstoffrückständen sollte dem Kraftstoff ein Kraftstoffstabilisator beigemischt werden. Siehe **Lagerung**. Nicht jeder Kraftstoff ist gleich. Wenn es zu Start- oder Leistungsproblemen kommt, sollte der Kraftstoff anderswo gekauft oder die Marke gewechselt werden. Der Motor ist für den Betrieb mit Benzin zugelassen. Der Motor hat das Abgassystem EM (Engine Modifications).

Einsatz in großen Höhen

In Höhen über 1500 m ist Benzin mit mindestens 85 Oktan/85 AKI (89 RON) akzeptabel.

Bei Vergasermotoren ist eine Einstellung für große Höhen erforderlich, damit die Leistung beibehalten wird. Wenn der Motor ohne diese Einstellung läuft, kommt es zu Leistungsabfall, erhöhtem Kraftstoffverbrauch und erhöhten Emissionen. Informationen zur Einstellung für große Höhen bekommen Sie bei einem Briggs & Stratton-Vertragshändler. Es wird nicht empfohlen, den Motor mit der Einstellung für große Höhen in Höhen unter 760 m einzusetzen.

Bei Motoren mit elektronischer Kraftstoffeinspritzung (EFI) ist keine Einstellung für große Höhen erforderlich.

Einfüllen von Kraftstoff

Siehe Abbildung: 5



Kraftstoff und Kraftstoffdämpfe sind extrem leicht entflammbar und explosiv.

Feuer oder Explosionen können zu schweren Verbrennungen oder Tod führen.

Beim Nachfüllen von Kraftstoff

- Den Motor ausschalten und mindestens 2 Minuten lang abkühlen lassen, bevor der Tankdeckel abgenommen wird.
 - Den Tank im Freien oder an einem gut belüfteten Ort auffüllen.
 - Den Tank nicht überfüllen. Um dem Kraftstoff Platz zum Ausdehnen zu lassen, nicht über die Unterkante des Kraftstofftankstutzens hinaus füllen.
 - Den Kraftstoff von Funken, offenen Flammen, Zündflammen, Hitze oder anderen Zündquellen fern halten.
 - Kraftstoffleitungen, Tank, Tankdeckel und Anschlüsse regelmäßig auf Risse und Undichtigkeiten überprüfen. Schadhafte Teile austauschen.
 - Wenn Kraftstoff verschüttet wurde, warten, bis sich die Dämpfe verflüchtigt haben, bevor der Motor gestartet wird.
1. Den Bereich um den Tankdeckel von Schmutz und Fremdkörpern reinigen. Den Tankdeckel abnehmen.
 2. Den Kraftstofftank (A, Abb. 5) mit Kraftstoff füllen. Um dem Kraftstoff Platz zum Ausdehnen zu lassen, nicht über die Unterkante des Kraftstofftankstutzens (B) hinaus füllen.
 3. Den Tankdeckel wieder anbringen.

Start und Stopp des Motors

Siehe Abbildung: 6, 7, 8, 9

Starten des Motors



Durch schnellen Rückzug des Starterseils werden Hand und Arm schneller zum Motor gezogen, als das Seil losgelassen werden kann.

Es kann zu Knochenbrüchen, Quetschungen und Verstauchungen kommen.

- Beim Start des Motors langsam am Starterseil ziehen, bis Widerstand spürbar wird. Dann schnell ziehen, um zu verhindern, dass das Seil zurückspringt.



Kraftstoff und Kraftstoffdämpfe sind extrem leicht entflammbar und explosiv.

Feuer oder Explosionen können zu schweren Verbrennungen oder Tod führen.

Beim Starten des Motors

- Darauf achten, dass Zündkerze, Schalldämpfer, Tankdeckel und Luftfilter (falls vorhanden) an ihrem Platz und sicher befestigt sind.
- Den Motor nicht anlassen, wenn die Zündkerze entfernt wurde.
- Wenn der Motor überfettet ist, den Choke (falls vorhanden) auf OFFENE/BETRIEBS-Position und den Gashebel (falls vorhanden) auf SCHNELLE Position stellen und den Motor anlassen, bis er anspringt.



GIFTGASGEFAHR. Motorabgase enthalten Kohlenmonoxid, ein giftiges Gas, das einen Menschen innerhalb weniger Minuten töten kann. Es ist unsichtbar, geruchs- und geschmacklos. Auch wenn Sie Abgase nicht riechen, können Sie trotzdem Kohlenmonoxid ausgesetzt sein. Wenn Sie merken, dass Ihnen während der Verwendung dieses Produktes schlecht, schwindelig oder flau wird, schalten Sie das Gerät SOFORT aus und gehen Sie an die frische Luft! Suchen Sie einen Arzt auf! Sie könnten eine Kohlenmonoxidvergiftung haben.

- Dieses Produkt darf NUR im Freien in angemessener Entfernung von Fenstern, Türen und Lüftungsöffnungen eingesetzt werden, damit sich Kohlenmonoxid nicht ansammeln und möglicherweise in Räume eindringen kann, in denen sich Menschen aufhalten.

- Installieren Sie batteriebetriebene Kohlenmonoxid-Warnmelder oder netzbetriebene Warnmelder mit Batterie-Notstromversorgung entsprechend den Herstelleranweisungen. Rauchmelder reagieren nicht auf Kohlenmonoxid.
- Dieses Gerät darf NICHT in Wohnungen, Garagen, Kellern, Zwischenräumen, Schuppen oder anderen teilweise geschlossenen Räumen laufen, selbst wenn Ventilatoren oder offene Fenster zur Belüftung benutzt werden. Kohlenmonoxid kann sich schnell in diesen Räumen ansammeln und dort stundenlang bleiben, auch nachdem das Gerät ausgeschaltet wurde.
- Dieses Produkt muss IMMER in Windrichtung aufgestellt und der Motorauspuff von Räumen weggerichtet werden, in denen sich Menschen aufhalten.

HINWEIS Dieser Motor wird von Briggs & Stratton ohne Öl geliefert. Vor Start des Motors muss entsprechend den Anweisungen in dieser Anleitung Öl nachgefüllt werden. Wenn der Motor ohne Öl gestartet wird, wird er so beschädigt, dass er nicht mehr repariert werden kann. Dieser Schaden wird nicht von der Garantie abgedeckt.

Ermittlung des Startsystems

Bevor der Motor gestartet wird, muss überprüft werden, mit welchem Startsystem er ausgestattet ist. Folgende Systeme sind möglich.

- **ReadyStart®-System:** Dieses System beinhaltet einen automatischen, temperaturgesteuerten Choke. Er hat keinen manuellen Choke und keine Ansaugpumpe.
- **Chokesystem:** Dieses System hat einen Choke für Starts bei niedrigen Temperaturen. Einige Modelle haben einen separaten Chokehebel, während andere einen kombinierten Choke/Gashebel aufweisen. Dieser Typ hat keinen Primerbalg.

Zum Start des Motors sind die Anweisungen für das jeweilige Startsystem zu befolgen.

Hinweis: Das Gerät ist eventuell mit einer Fernbedienung ausgestattet. Zu Position und Betätigung der Fernbedienung siehe die Geräteanleitung.

ReadyStart®-System

1. Den Motorölstand kontrollieren. Siehe Abschnitt **Ölstandskontrolle**.
2. Darauf achten, dass die Bedienungselemente für den Geräteantrieb, falls vorhanden, ausgerastet sind.
3. Den Kraftstoffhahn (A, Abb. 6), falls vorhanden, in die Position OFFEN stellen.
4. Den Gashebel (B, Abb. 6), falls vorhanden, auf schnelle Position (FAST) stellen. Den Motor in SCHNELLER Position laufen lassen.
5. Den Stoppschalter (D, Abb. 7), falls vorhanden, in die Position AN stellen.
6. Wenn das Gerät mit einem Sicherheitsbügel (C, Abb. 8) ausgestattet ist, den Bügel gegen die Griffstange drücken.
7. **Rücklaufstarter, falls vorhanden:** Den Starterseilgriff (G, Abb. 6) sicher festhalten. Langsam am Starterseilgriff ziehen, bis Widerstand spürbar wird. Dann kräftig ziehen.



Durch schnellen Rückzug des Starterseils werden Hand und Arm schneller zum Motor gezogen, als das Seil losgelassen werden kann. Es kann zu Knochenbrüchen, Quetschungen und Verstauchungen kommen. Beim Start des Motors langsam am Starterseil ziehen, bis Widerstand spürbar wird. Dann schnell ziehen, um zu verhindern, dass das Seil zurückspringt.

8. **Elektrostart, falls vorhanden:** Den E-Start-Schalter auf Position AN/START stellen.

HINWEIS Um die Lebensdauer des Anlassers zu verlängern, den Anlasser jeweils nur kurz betätigen (maximal fünf Sekunden). Zwischen den Betätigungen jeweils eine Minute warten.

Hinweis: Wenn der Motor nach mehreren Versuchen nicht anspringt, wenden Sie sich an den nächsten Händler, gehen Sie zu **BRIGGSandSTRATTON.com** oder rufen Sie die Nummer **1-800-233-3723** an (in den USA).

Chokesystem

1. Den Motorölstand kontrollieren. Siehe Abschnitt **Ölstandskontrolle**.
2. Darauf achten, dass die Bedienungselemente für den Geräteantrieb, falls vorhanden, ausgerastet sind.
3. Den Kraftstoffhahn (A, Abb. 6), falls vorhanden, in die Position OFFEN stellen.
4. Den Gashebel (B, Abb. 6), falls vorhanden, auf schnelle Position (FAST) stellen. Den Motor in SCHNELLER Position laufen lassen.
5. Den Chokehebel (F, Abb. 9) auf GESCHLOSSENE Position stellen.

Hinweis: Die Verwendung des Chokes ist gewöhnlich beim Neustart eines warmen Motors nicht notwendig.

- Den Stoppschalter (D, Abb. 9), falls vorhanden, in die Position AN stellen.
- Wenn das Gerät mit einem Sicherheitsbügel (C, Abb. 8), ausgestattet ist, den Bügel gegen die Griffstange drücken.
- Rücklaufstarter, falls vorhanden:** Den Starterseilgriff (G, Abb. 6) sicher festhalten. Langsam am Starterseilgriff ziehen, bis Widerstand spürbar wird. Dann kräftig ziehen.



WARNUNG

Durch schnellen Rückzug des Starterseils werden Hand und Arm schneller zum Motor gezogen, als das Seil losgelassen werden kann. Es kann zu Knochenbrüchen, Quetschungen und Verstauchungen kommen. Beim Start des Motors langsam am Starterseil ziehen, bis Widerstand spürbar wird. Dann schnell ziehen, um zu verhindern, dass das Seil zurückspringt.

- Elektrostart, falls vorhanden:** Den E-Start-Schalter auf Position AN/START stellen.

HINWEIS Um die Lebensdauer des Anlassers zu verlängern, den Anlasser jeweils nur kurz betätigen (maximal fünf Sekunden). Zwischen den Betätigungen jeweils eine Minute warten.

- Wenn sich der Motor aufwärmt, den Chokehebel (F, Abb. 9) auf OFFENE/BETRIEBS-Position stellen.

Hinweis: Wenn der Motor nach mehreren Versuchen nicht anspringt, wenden Sie sich bitte an den nächsten Händler, gehen Sie zu **BRIGGSandSTRATTON.com** oder rufen Sie die Nummer **1-800-233-3723** an (in den USA).

Stoppen des Motors



WARNUNG



Kraftstoff und Kraftstoffdämpfe sind extrem leicht entflammbar und explosiv.

Feuer oder Explosionen können zu schweren Verbrennungen oder Tod führen.

- Zum Stoppen des Motors nicht den Choke benutzen, falls vorhanden.
- Sicherheitsbügel, falls vorhanden:** Den Sicherheitsbügel (E, Abb. 8) loslassen.
Stoppschalter, falls vorhanden: Den Stoppschalter (D, Abb. 7, 9) auf AUS-Position stellen.
Gashebel, falls vorhanden: Den Gashebel (B, Abb. 6) auf STOPP-Position stellen.
E-Startschlüssel, falls vorhanden: Den E-Startschlüssel auf Position AUS/STOPP stellen. Den Schlüssel abziehen und an einem sicheren Ort für Kinder unzugänglich aufbewahren.
 - Sobald der Motor aus ist, den Kraftstoffhahn (A, Abb. 6), falls vorhanden, auf GESCHLOSSENE Position stellen.

Wartung

HINWEIS Wenn der Motor während der Wartung gekippt wird, muss der Kraftstofftank leer sein und die Seite mit der Zündkerze muss nach oben zeigen. Wenn der Kraftstofftank nicht leer ist und wenn der Motor in eine andere Richtung gekippt wird, kann er eventuell später schwer zu starten sein, weil Öl oder Kraftstoff den Luftfilter und/oder die Zündkerze verschmutzt haben.



WARNUNG

Bei Wartungsarbeiten, bei denen das Gerät gekippt werden muss, muss der Kraftstofftank leer sein, weil sonst Kraftstoff auslaufen und Feuer oder Explosionen verursachen kann.

Wir empfehlen, dass Sie sich für alle Wartungsarbeiten am Motor und an Motorteilen an einen Briggs & Stratton-Vertragshändler wenden.

HINWEIS Zum ordnungsgemäßen Betrieb müssen alle zum Bau dieses Motors verwendeten Komponenten an ihrem Platz bleiben.



WARNUNG



Funken können Feuer oder Stromschläge verursachen.

Ungewollter Start kann schwere Verletzungen verursachen.

Feuergefahr

Vor Einstellungen oder Reparaturen:

- Das Zündkabel abziehen und von der Zündkerze fern halten.
- Das Batteriesystem aus dem Motorbatteriefach nehmen. Das Batteriesystem kann in manchen Fällen den Geräteschlüssel ausmachen.
- Die richtigen Werkzeuge verwenden.
- Nicht an Reglerfeder, Gestängen oder anderen Teilen herumbasteln, um die Drehzahl zu erhöhen.
- Ersatzteile müssen den Originalteilen entsprechen und in derselben Position angebracht werden. Andere Teile bringen eventuell nicht die gleiche Leistung, können das Gerät beschädigen und Verletzungen verursachen.
- Nicht mit einem Hammer oder anderen harten Gegenstand gegen das Schwungrad schlagen, weil es sonst später während des Betriebs auseinander platzen könnte.

Bei der Zündfunkenkontrolle:

- Einen zugelassenen Zündkerzenprüfer verwenden.
- Die Zündung nicht bei entfernter Zündkerze überprüfen.

Erklärung zur Emissionskontrolle

Wartung, Austausch oder Reparatur von Teilen des Abgassystems können von jeder Motorreparaturwerkstatt oder Person durchgeführt werden. Um allerdings gebührenfreie Arbeiten am Abgassystem zu erhalten, müssen derartige Arbeiten von einem Vertragshändler durchgeführt werden. Siehe die Erklärungen zur Emissionskontrolle.

Wartungsplan

Vor jedem Einsatz
<ul style="list-style-type: none"> Motorölstand prüfen Bereich um Schalldämpfer und Bedienungselemente reinigen Lufteinlassgitter reinigen
Alle 25 Stunden oder jährlich
<ul style="list-style-type: none"> Luftfilter reinigen ¹ Vorfilter reinigen, falls vorhanden
Alle 50 Stunden oder jährlich
<ul style="list-style-type: none"> Auspuffanlage warten
Jährlich
<ul style="list-style-type: none"> Zündkerze austauschen Luftfilter austauschen Vorfilter austauschen, falls vorhanden Kühlsystem warten ¹

¹ Bei hohem Staubaufkommen oder Fremdkörpern in der Luft häufiger reinigen.

Vergaser und Motordrehzahl

Es dürfen keine Einstellungen am Vergaser oder der Motordrehzahl vorgenommen werden. Der Vergaser wurde ab Werk für effizienten Betrieb unter den meisten Einsatzbedingungen eingestellt. Nicht an Reglerfeder, Gestänge oder anderen Teilen manipulieren, um die Drehzahl zu erhöhen. Falls Einstellungen nötig sind, wenden Sie sich bitte an einen Briggs & Stratton-Vertragshändler.

HINWEIS Der Gerätehersteller gibt die Höchstdrehzahl für den am Gerät installierten Motor an. Diese Drehzahl **darf nicht überschritten** werden. Falls Sie nicht sicher sind, wie hoch die maximale Drehzahl für das Gerät ist oder welche Drehzahl ab Werk eingestellt wurde, wenden Sie sich bitte an einen Briggs & Stratton-Vertragshändler. Für sicheren und einwandfreien Betrieb des Geräts darf die Motordrehzahl nur von einem qualifizierten Wartungstechniker eingestellt werden.

Wartung der Zündkerze

Siehe Abbildung: 10

Den Elektrodenabstand (A, Abb. 10) mit einer Drahtlehre (B) kontrollieren. Bei Bedarf den Elektrodenabstand nachstellen. Die Zündkerze einsetzen und mit dem empfohlenen Anzugswert festziehen. Zu Einstellungen des Elektrodenabstands und Anzugswerten siehe den Abschnitt **Technische Daten**.

Hinweis: In einigen Ländern sind Widerstandszündkerzen zur Unterdrückung von Zündsignalen vorgeschrieben. Wenn dieser Motor ursprünglich mit einer Widerstandszündkerze ausgestattet war, muss zum Austausch derselbe Zündkerzentyp verwendet werden.

Wartung der Auspuffanlage



WARNUNG

Laufende Motoren erzeugen Wärme. Teile des Motors, besonders der Schalldämpfer, können sehr heiß werden.

Bei Berührung kann es zu schweren Verbrennungen kommen.

Brennbare Fremdkörper wie Laub, Gras usw. können sich entzünden.

- Schalldämpfer, Zylinder und Kühlrippen abkühlen lassen, bevor sie berührt werden.
- Fremdkörperansammlungen vom Schalldämpferbereich und Zylinderbereich entfernen.
- Der Einsatz des Motors auf Wald-, Busch- oder Grasland verstößt gegen das kalifornische Gesetz (public resource code, section 4442), wenn die Auspuffanlage nicht mit einem vorgeschriebenen betriebsfähigen Funkenfänger ausgestattet ist. In anderen Bundesstaaten können ähnliche Gesetze gelten. Einen passenden Funkenfänger für die an diesem Motor installierte Auspuffanlage finden Sie beim Gerätehersteller oder Händler.

Fremdkörperansammlungen vom Schalldämpfer- und Zylinderbereich entfernen. Den Schalldämpfer auf Risse, Korrosion oder andere Beschädigungen prüfen. Den Funkenfänger, falls vorhanden, entfernen und auf Beschädigungen oder Kohlenstoffablagerungen prüfen. Falls Schäden gefunden werden, müssen vor der Inbetriebnahme entsprechende Ersatzteile installiert werden.



WARNUNG

Ersatzteile müssen den Originalteilen entsprechen und in derselben Position angebracht werden. Andere Ersatzteile können möglicherweise nicht richtig funktionieren, das Gerät beschädigen und zu Verletzungen führen.

Motoröl wechseln

Siehe Abbildung: 11, 12, 13



WARNUNG

Kraftstoff und Kraftstoffdämpfe sind extrem leicht entflammbar und explosiv.

Feuer oder Explosionen können zu schweren Verbrennungen oder Tod führen.

Laufende Motoren erzeugen Wärme. Teile des Motors, insbesondere der Schalldämpfer, können sehr heiß werden.

Bei Berührung kann es zu schweren Verbrennungen kommen.

- Wenn das Öl aus dem oberen Öleinfüllrohr abgelassen wird, muss der Kraftstofftank leer sein, weil sonst Kraftstoff auslaufen und Feuer oder Explosionen verursachen kann.
- Schalldämpfer, Zylinder und Kühlrippen abkühlen lassen, bevor sie berührt werden.

Den Ölstand kontrollieren und bei Bedarf Öl nachfüllen. Siehe Abschnitt Ölstandskontrolle/Nachfüllen von Öl. Ein Ölwechsel ist nicht erforderlich. Wenn Sie jedoch das Öl wechseln möchten, befolgen Sie bitte die nachstehenden Anweisungen.

Altöl ist Sondermüll, der ordnungsgemäß entsorgt werden muss. Es gehört nicht in den Hausmüll. Informationen zur Entsorgung von Altöl erhalten Sie bei Behörden, Werkstätten oder Fachhändlern.

Ölablass

Das Öl muss aus dem oberen Öleinfüllrohr abgelassen werden.

1. Bei abgestelltem aber noch warmem Motor das Zündkabel (D, Abb. 11) abziehen und von der Zündkerze (E) fern halten.
2. Den Ölmesstab (A, Abb. 12) herausziehen.
3. Wenn das Öl aus dem oberen Öleinfüllrohr (C, Abb. 13) abgelassen wird, das Zündkerzenende (E) des Motors nach oben halten. Das Öl in einen zugelassenen Behälter ablassen.



WARNUNG

Wenn das Öl aus dem oberen Öleinfüllrohr abgelassen wird, muss der Kraftstofftank leer sein, weil sonst Kraftstoff auslaufen und Feuer oder Explosionen verursachen kann. Zum Entleeren des Kraftstofftanks den Motor laufen lassen, bis er aus Kraftstoffmangel ausgeht.

Nachfüllen von Öl

- Darauf achten, dass der Motor waagrecht steht.
- Schmutz vom Öleinfüllbereich entfernen.
- Zum Ölfassungsvermögen siehe den Abschnitt **Technische Daten**.

1. Den Ölmesstab (A, Abb. 12) herausnehmen und mit einem sauberen Tuch abwischen.
2. Langsam Öl in die Motoröleinfüllöffnung (C, Abb. 12) gießen. **Nicht überfüllen.** Nach dem Einfüllen des Öls ca. eine Minute warten und dann den Ölstand überprüfen.
3. Den Ölmesstab (A, Abb. 12) einsetzen und festziehen.
4. Den Ölmesstab herausziehen und den Ölstand kontrollieren. Bei korrektem Ölstand steht das Öl oben an der Voll-Marke (B, Abb. 12) am Ölmesstab.
5. Den Ölmesstab (A, Abb. 12) wieder einsetzen und festziehen.
6. Das Zündkerzenkabel (D, Abb. 11) an der Zündkerze (E) anschließen.

Luftfilterwartung

Siehe Abbildung: 14



WARNUNG

Kraftstoff und Kraftstoffdämpfe sind extrem leicht entflammbar und explosiv.

Feuer oder Explosionen können zu schweren Verbrennungen oder Tod führen.

- Niemals den Motor mit abgenommenem Luftfilter (falls vorhanden) oder Filtereinsatz (falls vorhanden) starten oder laufen lassen.

HINWEIS Zur Reinigung des Filters keine Druckluft und keine Lösungsmittel verwenden. Druckluft kann den Filter beschädigen und Lösungsmittel zersetzen ihn.

Siehe den **Wartungsplan** für Wartungsanforderungen.

Papier-Luftfilter

1. Die Abdeckung (B, Abb. 14) öffnen.
2. Den Filter (C, Abb. 14) herausnehmen.
3. Den Vorfilter (E, Abb. 14), falls vorhanden, vom Filter abnehmen. Um Fremdkörper zu lösen, mit dem Filter leicht auf eine harte Oberfläche klopfen. Wenn der Filter sehr schmutzig ist, muss er ausgetauscht werden.
4. Den Vorfilter in flüssigem Reinigungsmittel und Wasser waschen. Dann gründlich an der Luft trocknen lassen. **Den Vorfilter nicht ölen.**
5. Den trockenen Vorfilter, falls vorhanden, am Filter anbringen.
6. Den Filter (C, Abb. 14) anbringen.
7. Die Abdeckung (B, Abb. 14) schließen.

Wartung des Kühlsystems



WARNUNG

Laufende Motoren erzeugen Wärme. Teile des Motors, besonders der Schalldämpfer, können sehr heiß werden.

Bei Berührung kann es zu schweren Verbrennungen kommen.

Brennbare Fremdkörper wie Laub, Gras usw. können sich entzünden.

- Schalldämpfer, Zylinder und Kühlrippen abkühlen lassen, bevor sie berührt werden.
- Fremdkörperansammlungen vom Schalldämpferbereich und Zylinderbereich entfernen.

HINWEIS Zur Reinigung des Motors kein Wasser verwenden. Wasser könnte die Kraftstoffanlage verunreinigen. Den Motor mit einer Bürste oder einem trockenen Lappen reinigen.

Dieser Motor ist luftgekühlt. Schmutz oder Fremdkörper können die Luftströmung einschränken und Überhitzung des Motors und in der Folge Leistungsverlust und verkürzte Lebensdauer des Motors verursachen.

1. Fremdkörper mit einer Bürste oder einem trockenen Lappen vom Lufteinlassgitter beseitigen.
2. Gestänge, Federn und Bedienungselemente sauber halten.
3. Den Bereich um und hinter dem Schalldämpfer, falls vorhanden, von brennbaren Fremdkörpern frei halten.
4. Darauf achten, dass die Ölkühlrippen frei von Schmutz und Fremdkörpern sind.

Nach einer gewissen Zeit können sich Fremdkörper in den Zylinderkühlrippen ansammeln und Motorüberhitzung verursachen. Um diese Fremdkörper zu beseitigen, muss der Motor teilweise auseinander gebaut werden. Lassen Sie das Luftkühlungssystem entsprechend den Empfehlungen im **Wartungsplan** von einem Briggs & Stratton-Vertragshändler kontrollieren und reinigen.

Lagerung



WARNUNG

Kraftstoff und Kraftstoffdämpfe sind extrem leicht entflammbar und explosiv.

Feuer oder Explosionen können zu schweren Verbrennungen oder Tod führen.

Beim Lagern von Kraftstoff oder von Geräten mit Kraftstoff im Tank

- Das Gerät muss immer außerhalb der Reichweite von Brennöfen, Heizöfen, Wasserkochern oder anderen Geräten gelagert werden, die über eine Zündflamme oder andere Zündquellen verfügen, durch die Kraftstoffdämpfe entzündet werden könnten.

HINWEIS Den Motor in horizontaler Position abstellen (normale Betriebsposition). Für weitere Anweisungen zur Lagerung siehe das Gerätehandbuch.

Kraftstoffanlage

Kraftstoff kann altern, wenn er länger als 30 Tage gelagert wird. Durch abgestandenen Kraftstoff bilden sich Rückstände in der Kraftstoffanlage oder an wichtigen Vergaserteilen. Um Kraftstoff frisch zu halten, sollte **Briggs & Strattons Advanced-Formula-Kraftstoffstabilisator** verwendet werden, der überall dort erhältlich ist, wo Originalteile von Briggs & Stratton verkauft werden.

Wenn ein Kraftstoffstabilisator entsprechend den Anweisungen zugegeben wird, braucht das Benzin nicht aus dem Motor abgelassen zu werden. Den Motor zwei (2) Minuten lang laufen lassen, um den Stabilisator vor der Lagerung durch die Kraftstoffanlage zirkulieren zu lassen.

Wenn das Benzin im Motor nicht mit Kraftstoffstabilisator behandelt wurde, muss es in einen zugelassenen Behälter abgelassen werden. Den Motor so lange laufen lassen, bis er aufgrund von Kraftstoffmangel stoppt. Es wird empfohlen, einen Kraftstoffstabilisator in den Lagerungsbehälter zu geben, um den Kraftstoff frisch zu halten.

Motoröl

Ein Ölwechsel ist nicht erforderlich. Wenn Sie jedoch das Öl wechseln möchten, ist es bei warmem Motor zu wechseln. Siehe Abschnitt **Motorölwechsel**.

Fehlersuche und -behebung

Wenden Sie sich für Unterstützung an den nächsten Händler, gehen Sie zu **BRIGGSandSTRATTON.com** oder rufen Sie die Nummer **1-800-233-3723** an (in den USA).

Technische Daten

Modell: 100000	
Hubraum	9.93 ci (163 cc)
Bohrung	2.688 in (68,28 mm)
Hub	1.75 in (44,45 mm)
Ölmenge	15 oz (,44 L)
Elektrodenabstand	.030 in (,76 mm)
Zündkerzen-Anzugswert	180 lb-in (20 Nm)
Anker-Luftspalt	.006 - .014 in (,15 - ,36 mm)
Einlassventilspiel	.004 - .008 in (,10 - ,20 mm)
Auslassventilspiel	.004 - .008 in (,10 - ,20 mm)

Modell: 093J00

Hubraum	9.15 ci (150 cc)
Bohrung	2.583 in (65,60 mm)
Hub	1.75 in (44,45 mm)
Ölmenge	15 oz (,44 L)
Elektrodenabstand	.020 in (,51 mm)
Zündkerzen-Anzugswert	180 lb-in (20 Nm)
Anker-Luftspalt	.006 - .014 in (,15 - ,36 mm)
Einlassventilspiel	.004 - .008 in (,10 - ,20 mm)
Auslassventilspiel	.004 - .008 in (,10 - ,20 mm)

Die Motorleistung nimmt alle 300 m über Meeresebene um jeweils 3,5 % und alle 5,6 °C oberhalb von 25 °C um jeweils 1 % ab. Der Motor läuft zufriedenstellend bei einem Winkel bis zu 15 °. Angaben zum sicheren Betrieb an Hängen finden Sie in der Bedienungsanleitung des vom Motor angetriebenen Geräts.

Ersatzteile – Modell: 100000, 093J00

Ersatzteil	Teilenummer
Luftfilter (siehe Abb. 14)	593260
Luftfilter, Vorfilter (siehe Abb. 14)	594055
Öl – SAE 30	100113
Advanced-Formula-Kraftstoffstabilisator	100117, 100120
Widerstandszündkerze (Modell 100000)	594056
Widerstandszündkerze (Modell 093J00)	692051
Zündkerzenschlüssel	19576
Funkenprüfer	19368

Wir empfehlen, dass Sie sich für alle Wartungsarbeiten am Motor und an Motorteilen an einen Briggs & Stratton-Vertragshändler wenden.

Nennleistungen: Die Bruttonennleistung für die einzelnen Modelle mit gasbetriebenen Motor wird in Übereinstimmung mit SAE-Code (Society of Automotive Engineers) J1940 (Small Engine Power & Torque Rating Procedure) angegeben und gemäß SAE J1995 bewertet. Die Drehmomentwerte wurden für die Motoren, die auf dem Etikett mit „rpm“ versehen sind, bei 2600 U/min. und für alle anderen bei 3060 U/min. ermittelt, die PS-Werte bei 3600 U/min. Die Leistungskennlinien können auf www.BRIGGSandSTRATTON.COM eingesehen werden. Die Nettoleistungswerte wurden mit montiertem Auspuff und Luftfilter gemessen, während die Bruttoleistungswerte ohne diese Anbauten ermittelt wurden. Die tatsächliche Bruttomotorleistung ist höher als die Nutzleistung des Motors und wird u. a. durch die Betriebsbedingungen und Abweichungen von Motor zu Motor bestimmt. In Anbetracht der breiten Vielfalt an Produkten, in die Motoren eingebaut werden, kann es sein, dass der Motor nicht die bewertete Bruttoleistung entwickelt, wenn er in einem bestimmten motorgetriebenen Gerät verwendet wird. Dieser Unterschied lässt sich auf eine Vielzahl von Faktoren zurückführen, einschließlich u. a. Vielfalt der Motorkomponenten (Luftreiniger, Auspuff, Ladung, Kühlung, Vergaser, Kraftstoffpumpe usw.), Einschränkungen bezüglich der Anwendung, Betriebsbedingungen (Temperatur, Luftfeuchtigkeit, Einsatzhöhe) und Abweichungen von Motor zu Motor. Aufgrund von Herstellungs- und Kapazitätsengpässen kann Briggs & Stratton für diesen Motor ersatzweise einen Motor mit höherer Nennleistung liefern.

Garantie

Briggs & Stratton Motorgarantie

Gültig ab Januar 2016

Beschränkte Garantie

Briggs & Stratton repariert und/oder ersetzt während des unten genannten Garantiezeitraums kostenlos jegliche Teile des Gerätes, die Material- und/oder Verarbeitungsfehler aufweisen. Die Transportkosten für das zur Reparatur oder zum Austausch eingesandte Produkt unter dieser Garantie müssen vom Käufer getragen werden. Diese Garantie ist für die Zeiträume und unter den unten genannten Bedingungen wirksam. Für Garantieleistungen finden Sie mit Hilfe unserer Händlersuchkarte auf www.BRIGGSandSTRATTON.com den nächstgelegenen Vertragshändler. Der Käufer muss den Vertragshändler kontaktieren und diesem das Produkt für Inspektion und Tests zur Verfügung stellen.

Es besteht keine andere ausdrückliche Garantie. Implizierte Garantien, einschließlich Garantien der allgemeinen Gebrauchstauglichkeit oder Eignung für einen bestimmten Zweck, sind auf ein Jahr ab Kaufdatum oder auf den gesetzlich zugelassenen Umfang beschränkt. Die Haftbarkeit für Folge- oder Begleitschäden ist soweit ausgeschlossen, wie gesetzlich zulässig. In einigen Staaten ist die Dauer der implizierten Garantie bzw. die Beschränkung von Folge- oder Begleitschäden nicht zulässig, daher könnte die oben

genannte Beschränkung oder Ausnahme eventuell nicht auf Sie zutreffen. Diese Garantieleistung verleiht Ihnen bestimmte Rechte, neben denen Sie noch andere Rechte haben können, die von Land zu Land abweichen ⁴.

Standard-Garantiefristen ^{1, 2}

Marke / Produkttyp	Private Nutzung	Gewerbliche Nutzung
Vanguard™ ³	36 Monate	36 Monate
Commercial Turf Series™ ; Commercial Series	24 Monate	24 Monate
Motoren mit Dura-Bore™-Gusseisenlaufbuchse	24 Monate	12 Monate
Alle anderen Briggs & Stratton-Motoren	24 Monate	3 Monate

¹ Dies sind unsere Standard-Garantiefristen, neben denen noch andere Garantieabdeckungen vorhanden sein können, die während des Veröffentlichungszeitpunkts noch nicht festgelegt worden waren. Eine Auflistung der aktuellen Garantiefristen für unsere Motoren finden Sie unter BRIGGSandSTRATTON.com oder bei Ihrem Briggs & Stratton-Fachhändler.

² Es besteht keine Garantie auf Motoren in Geräten, die zur Erzeugung von Energie eingesetzt werden, die die Energie aus dem öffentlichen Stromnetz ersetzen soll, oder auf Notstrom-Generatoren, die für kommerzielle Zwecke verwendet werden. Die Garantie erstreckt sich nicht auf Motoren, die in Rennwettbewerben oder auf gewerblichen oder Mietrennbahnen eingesetzt werden.

³ An Notstrom-Generatoren installierte Vanguard-Motoren: 24 Monate bei privater Nutzung, keine Garantie bei gewerblicher Nutzung. An Nutzfahrzeugen installierte Vanguard-Motoren: 24 Monate bei privater Nutzung, 24 Monate bei gewerblicher Nutzung. Flüssigkeitsgekühlte Dreizylinder-Vanguard-Motoren: siehe Briggs & Stratton-Garantieschein für 3/LC-Motoren.

⁴ In Australien - Unsere Waren werden mit Garantien ausgeliefert, die nicht vom australischen Verbrauchergesetz ausgeschlossen werden können. Bei größeren Defekten haben Sie das Recht auf Ersatz oder Rückerstattung sowie auf Entschädigung für alle anderen vorhersehbaren Verluste oder Schäden. Auch bei geringeren Defekten haben Sie ein Anrecht auf Reparatur oder Austausch von Produkten, die von unannehmbare Qualität sind. Für Garantieleistungen finden Sie mit Hilfe unserer Händlersuchkarte auf www.BRIGGSandSTRATTON.com den nächstgelegenen Vertragshändler. Sie können sich jedoch auch telefonisch unter 1300 274 447, per E-Mail unter salesenquires@briggsandstratton.com.au oder schriftlich an Briggs & Stratton Australia Pty Ltd, 1 Moorebank Avenue, Moorebank, NSW, Australien, 2170 nach dem nächstgelegenen Vertragshändler erkundigen.

Die Garantiezeit beginnt mit dem Datum des Kaufs durch den ersten Einzelhandelskunden oder gewerblichen Endverbraucher. „Private Nutzung“ bedeutet die private Verwendung im eigenen Haushalt durch einen Einzelhandelskunden. „Gewerbliche Nutzung“ bezieht sich auf alle anderen Verwendungen, einschließlich die Verwendung für kommerzielle, Einkommen erzeugende oder Vermietungszwecke. Sobald ein Motor einmal gewerblich eingesetzt worden ist, wird er für die Zwecke dieser Gewährleistung auch weiterhin als Motor für den gewerblichen Einsatz angesehen.

Bewahren Sie Ihren Kaufbeleg gut auf. Wenn Sie bei einer erforderlichen Garantieleistung keinen Kaufbeleg vorlegen, aus dem das Kaufdatum hervorgeht, wird das Herstellungsdatum des Produkts zur Festlegung des Garantiezeitraums herangezogen. Eine Produktregistrierung ist nicht erforderlich, um Garantieleistungen für Briggs & Stratton-Produkte zu erhalten.

Zur Garantie

Diese Garantie deckt nur Material- und/oder Verarbeitungsschäden am Motor ab und nicht den Austausch oder die Rückerstattung für das Gerät, an dem der Motor installiert ist. Routinemäßige Wartungsarbeiten, Einstellungen oder normale Abnutzung sind nicht Gegenstand dieser Garantie. Die Garantie erlischt, wenn der Motor modifiziert oder die Seriennummer des Motors beschädigt oder entfernt wurde. Die Garantie deckt keine Motorschäden oder Leistungsprobleme ab, die durch Folgendes hervorgerufen werden:

1. Die Verwendung von Teilen, die keine Briggs & Stratton-Originalteile sind;
2. Den Betrieb von Motoren mit zu wenig oder verschmutztem Öl oder einer falschen Schmierölsorte;
3. Die Verwendung von verschmutztem oder altem Kraftstoff, Benzin mit einem Ethanolanteil von über 10% oder alternativen Kraftstoffen wie Flüssiggas oder Erdgas bei Motoren, die von Briggs & Stratton nicht für den Betrieb mit solchen Kraftstoffen konzipiert/hergestellt wurden;
4. Schmutz, der infolge einer unzureichenden Luftfilterwartung oder eines falschen Wiederausbaus in den Motor gelangt;
5. Auftreffen eines Kreiselmäher-Schnittmessers auf einen harten Gegenstand, lose oder unsachgemäß installierte Messeradapter, Impeller oder andere, an die Kurbelwelle angekuppelte Vorrichtungen oder zu hohe Keilriemenspannung;
6. Verbundene Teile oder Baugruppen wie Kupplungen, Getriebe, Gerätesteuern usw., die nicht von Briggs & Stratton stammen;
7. Überhitzung infolge von Blockierung der Kühlrippen oder des Schwungradbereichs durch geschnittenes Gras, Schmutz, Fremdkörper oder Nagetiernester oder durch den Betrieb des Motors bei ungenügender Belüftung;

8. Übermäßige Vibrationen durch Überdrehen, lose Motormontage, lose oder ungleichmäßige Schnittmesser oder Impeller oder ein unsachgemäßes Ankuppeln von Gerätekomponenten an die Kurbelwelle;
9. Missbrauch, Mängel bei der Routine-Wartung, dem Transport, der Handhabung oder der Lagerung des Geräts oder unsachgemäße Motorinstallation.

Garantieleistungen werden ausschließlich von Briggs & Stratton-Vertragshändlern erbracht. Den nächsten Vertragshändler finden Sie auf unserer Händlersuchkarte auf BRIGGSandSTRATTON.COM oder unter der Nummer 1-800-233-3723 (in den USA).

80004537 (Ver. B)

Το παρόν εγχειρίδιο περιέχει πληροφορίες σχετικά με την ασφάλεια, ούτως ώστε να γνωρίζετε τους κινδύνους που σχετίζονται με τους κινητήρες και πώς μπορείτε να τους αποφύγετε. Περιέχει επίσης οδηγίες για τη σωστή χρήση και φροντίδα του κινητήρα. Η Briggs & Stratton Corporation δεν γνωρίζει απαραίτητα σε ποιο είδος εξοπλισμού πρόκειται να χρησιμοποιηθεί ο παρών κινητήρας και, για τον λόγο αυτό, είναι σημαντικό να διαβάσετε προσεκτικά και να κατανοήσετε τις οδηγίες λειτουργίας του εξοπλισμού. **Φυλάξτε αυτές τις οδηγίες για μελλοντική χρήση.**

Σημείωση: Τα μεγέθη και οι απεικονίσεις στο παρόν εγχειρίδιο παρέχονται μόνο για αναφορά και μπορεί να διαφέρουν από το δικό σας μοντέλο. Επικοινωνήστε με τον τοπικό σας αντιπρόσωπο εάν έχετε ερωτήσεις.

Για ανταλλακτικά ή τεχνική υποστήριξη, σημειώστε παρακάτω το μοντέλο, τον τύπο και τους κωδικούς του κινητήρα καθώς και την ημερομηνία αγοράς. Οι αριθμοί αυτοί βρίσκονται επάνω στον κινητήρα (ανατρέξτε στην ενότητα **Χαρακτηριστικά και Χειριστήρια**).

Ημερομηνία αγοράς	
Μοντέλο κινητήρα - Τύπος - Κωδικός	
Αριθμός σειράς κινητήρα	

Ανατρέξτε στον 2 διαστάσεων γραμμωτό κώδικα που υπάρχει σε ορισμένους κινητήρες. Όταν τον ζαρώσετε με συσκευή με ικανότητα ανάγνωσης 2 διαστάσεων, ο κωδικός θα σας μεταφέρει στον ιστότοπο όπου μπορείτε να αποκτήσετε πρόσβαση σε πληροφορίες υποστήριξης για αυτό το προϊόν. Ισχύουν χρεώσεις δεδομένων. Σε ορισμένες χώρες ενδέχεται να διατίθεται online υποστήριξη πληροφόρησης.



Πληροφορίες ανακύκλωσης

		Κάθε είδους συσκευασία, χρησιμοποιημένα λάδια και μπαταρίες πρέπει να ανακυκλώνονται σύμφωνα με τους ισχύοντες κανονισμούς.
--	--	---

Ασφάλεια Χειριστή

Σύμβολο ειδοποίησης ασφαλείας και προειδοποιητικές λέξεις

Το σύμβολο ειδοποίησης ασφαλείας παρέχει πληροφορίες σχετικά με τους κινδύνους που μπορούν να προκαλέσουν σωματικό τραυματισμό. Μαζί με το σύμβολο ειδοποίησης χρησιμοποιείται μια προειδοποιητική λέξη (ΚΙΝΔΥΝΟΣ, ΠΡΟΕΙΔΟΠΟΙΗΣΗ ή ΠΡΟΣΟΧΗ) η οποία υποδεικνύει την πιθανότητα και τη σοβαρότητα του πιθανού τραυματισμού. Επιπλέον, για τον χαρακτηρισμό του τύπου του κινδύνου μπορεί να χρησιμοποιείται κάποιο συναφές σύμβολο.

Η ένδειξη **ΚΙΝΔΥΝΟΣ** δηλώνει κίνδυνο ο οποίος, εάν δεν αποφευχθεί, **θα προκαλέσει θάνατο ή σοβαρό τραυματισμό.**

Η ένδειξη **ΠΡΟΕΙΔΟΠΟΙΗΣΗ** δηλώνει κίνδυνο ο οποίος, εάν δεν αποφευχθεί, **θα μπορούσε να προκαλέσει θάνατο ή σοβαρό τραυματισμό.**

Η ένδειξη **ΠΡΟΣΟΧΗ** δηλώνει κίνδυνο ο οποίος, εάν δεν αποφευχθεί, **θα μπορούσε να προκαλέσει τραυματισμό μικρού ή μεσαίου βαθμού.**

Η ένδειξη ΕΠΙΣΗΜΑΝΣΗ δηλώνει μια κατάσταση η οποία **θα μπορούσε να προκαλέσει βλάβη του προϊόντος.**

Σύμβολα κινδύνου και τι σημαίνουν

Σύμβολο	Σημασία	Σύμβολο	Σημασία
	Πληροφορίες ασφαλείας σχετικά με κινδύνους που μπορούν να προκαλέσουν τραυματισμό ατόμων.		Διαβάστε και κατανοήστε το εγχειρίδιο χειριστή πριν τη χρήση ή το σέρβις της μονάδας.
	Κίνδυνος πυρκαγιάς		Κίνδυνος έκρηξης
	Κίνδυνος ηλεκτροπληξίας		Κίνδυνος από τοξικές αναθυμιάσεις
	Κίνδυνος από καυτή επιφάνεια		Κίνδυνος από θόρυβο - Συνιστάται προστασία ακοής για παρατεταμένη χρήση.
	Κίνδυνος από εκτινασσόμενα αντικείμενα - Φοράτε προστασία ματιών.		Κίνδυνος έκρηξης
	Κίνδυνος κρυοπαγημάτων		Κίνδυνος ανάδρασης
	Κίνδυνος ακρωτηριασμού - κινούμενα μέρη		Χημικός κίνδυνος
	Κίνδυνος από θερμότητα		Διαβρωτικό

Μηνύματα ασφαλείας



ΠΡΟΕΙΔΟΠΟΙΗΣΗ

Ορισμένα μέρη στο παρόν προϊόν και στα παρελκόμενα αυτού περιέχουν ουσίες οι οποίες, σύμφωνα με έρευνες που πραγματοποιήθηκαν στην Πολιτεία της Καλιφόρνιας, προκαλούν καρκίνο, εκ γενετής ανωμαλίες ή άλλες αναπαραγωγικές βλάβες. Να πλένετε τα χέρια σας μετά τον χειρισμό.



ΠΡΟΕΙΔΟΠΟΙΗΣΗ

Τα αέρια που εκπέμπει ο παρών κινητήρας περιέχουν χημικές ουσίες οι οποίες, σύμφωνα με έρευνες που πραγματοποιήθηκαν στην Πολιτεία της Καλιφόρνιας, προκαλούν καρκίνο, εκ γενετής ανωμαλίες ή άλλες αναπαραγωγικές βλάβες.



ΠΡΟΕΙΔΟΠΟΙΗΣΗ

Οι κινητήρες Briggs & Stratton δεν είναι σχεδιασμένοι για μετάδοση ισχύος και δεν πρέπει να χρησιμοποιούνται για τον ως άνω σκοπό σε: αυτοκινητίδια αναψυχής (fun-karts, go-karts), παιδικά οχήματα, οχήματα αναψυχής, αθλητικά οχήματα παντός εδάφους (ATV), μοτοσικλέτες, αερόστρωμα οχήματα (χόμπεκραφτ), αεροσκάφη ή αγωνιστικά οχήματα μη εγκεκριμένα από την Briggs & Stratton. Για πληροφορίες σχετικά με αγωνιστικά προϊόντα, επισκεφθείτε τη σελίδα www.briggsracing.com. Για οχήματα ειδικών χρήσεων και τετράτροχα οχήματα παντός εδάφους side-by-side, καλέστε το κέντρο εφαρμογών κινητήρων της Briggs & Stratton στον αριθμό 1-866-927-3349. Η μη ενδεδειγμένη χρήση του κινητήρα μπορεί να προκαλέσει σοβαρό τραυματισμό ή θάνατο.

ΕΠΙΣΗΜΑΝΣΗ

Ο παρών κινητήρας αποστέλλεται από την Briggs & Stratton χωρίς λάδι. Προτού εκκινήσετε τον κινητήρα, βεβαιωθείτε ότι έχετε προσθέσει λάδι σύμφωνα με τις οδηγίες που παρέχονται στο εγχειρίδιο. Εάν θέσετε τον κινητήρα σε λειτουργία χωρίς λάδι, θα υποστεί ανεπανόρθωτη βλάβη η οποία δεν καλύπτεται από την εγγύηση.



ΠΡΟΕΙΔΟΠΟΙΗΣΗ



Το καύσιμο και οι αναθυμιάσεις του συνιστούν εξαιρετικά εύφλεκτες και εκρηκτικές ουσίες.

Ενδεχόμενη φωτιά ή έκρηξη μπορούν να προκαλέσουν σοβαρά εγκαύματα ή θάνατο.

Κατά την προσθήκη καυσίμου

- Σβήστε τον κινητήρα και αφήστε τον να κρυώσει για τουλάχιστον 2 λεπτά προτού να αφαιρέσετε το πώμα του νεπετόζιτου καυσίμου.
- Γεμίστε το νεπετόζιτο καυσίμου σε εξωτερικό ή καλά αεριζόμενο χώρο.
- Μη γεμίζετε υπερβολικά το νεπετόζιτο καυσίμου. Μην υπερβείτε το κάτω μέρος του στομίου του νεπετόζιτου καυσίμου, ώστε να υπάρχει χώρος για τη διαστολή του καυσίμου.
- Φυλάξτε το καύσιμο μακριά από σπινθήρες, γυμνές φλόγες, φλόγιστρα, πηγές θέρμανσης και άλλες πηγές ανάφλεξης.
- Ελέγχετε συχνά τις σωληνώσεις καυσίμου, το δοχείο καυσίμου, το πώμα και τα εξαρτήματα για ρωγμές ή διαρροές. Αν χρειαστεί, αντικαταστήστε όποιο εξάρτημα παρουσιάζει πρόβλημα.
- Αν χυθεί καύσιμο, περιμένετε να εξατμιστεί προτού θέσετε σε λειτουργία τον κινητήρα.

Κατά την εκκίνηση του κινητήρα

- Βεβαιωθείτε ότι το μπουζί, ο σιγαστήρας, το πώμα του νεπετόζιτου καυσίμου και το φίλτρο αέρα (εφόσον υπάρχουν) βρίσκονται στη θέση τους και ότι έχουν στερεωθεί καλά.
- Μην προσπαθείτε να εκκινήσετε τον κινητήρα με βγαλμένο το μπουζί.
- Εάν ο κινητήρας μπλοκώσει, θέστε το τσοκ (εάν υπάρχει) στη θέση OPEN/RUN, μετακινήστε τον μοχλό του γκαζιού (εάν υπάρχει) στη θέση FAST και περιστρέψτε τον κινητήρα έως ότου τεθεί σε λειτουργία.

Κατά τον χειρισμό του εξοπλισμού

- ΜΗΝ γέρνετε υπερβολικά τον κινητήρα ή τον εξοπλισμό διότι θα ενδέχεται να προκληθεί διαρροή καυσίμου.
- Μην κλείνετε τον αέρα στο καρμπυρατέρ για να σταματήσετε τον κινητήρα.
- Ποτέ μη θέτετε ή διατηρείτε σε λειτουργία τον κινητήρα όταν έχει αφαιρεθεί το συγκρότημα του φίλτρου αέρα (εφόσον υπάρχει) ή το ίδιο το φίλτρο αέρα (εφόσον υπάρχει).

Κατά την αλλαγή λαδιού

- Εάν αδειάζετε το λάδι από τον επάνω σωλήνα πλήρωσης λαδιού, το νεπετόζιτο καυσίμου πρέπει να είναι άδειο διότι, διαφορετικά, υπάρχει κίνδυνος διαρροής καυσίμου και πρόκλησης πυρκαγιάς ή έκρηξης.

Όταν πρέπει να γείρετε τη μονάδα για εργασίες συντήρησης

- Εάν πρέπει να γείρετε τη μονάδα για λόγους συντήρησης, το δοχείο καυσίμου πρέπει να είναι άδειο διότι, διαφορετικά, υπάρχει κίνδυνος διαρροής καυσίμου και πρόκλησης πυρκαγιάς ή έκρηξης.

Κατά τη μεταφορά του εξοπλισμού

- Μεταφέρετε τον εξοπλισμό με το νεπετόζιτο καυσίμου ΑΔΕΙΟ ή με τη βαλβίδα παροχής καυσίμου ΚΛΕΙΣΤΗ.

Κατά την αποθήκευση καυσίμου ή εξοπλισμού με καύσιμο στη δεξαμενή του

- Αποθηκεύετε μακριά από φούρνους, θερμάστρες, θερμαντήρες νερού ή άλλες συσκευές που χρησιμοποιούν οδηγό φλόγα ή άλλες πηγές ανάφλεξης, επειδή αυτές μπορούν να προκαλέσουν ανάφλεξη των αναθυμιάσεων καυσίμων.



ΠΡΟΕΙΔΟΠΟΙΗΣΗ



Η εκκίνηση του κινητήρα προκαλεί σπινθήρες.

Οι σπινθήρες μπορούν να προκαλέσουν ανάφλεξη παρακείμενων εύφλεκτων αερίων.

Θα μπορούσαν να προκληθούν έκρηξη και φωτιά.

- Εάν στην περιοχή υπάρχει διαρροή φυσικού αερίου ή υγραερίου, μην εκκινείτε τον κινητήρα.
- Μην χρησιμοποιείτε ρευστά εκκίνησης υπό πίεση. Οι αναθυμιάσεις είναι εύφλεκτες.



ΠΡΟΕΙΔΟΠΟΙΗΣΗ



ΚΙΝΔΥΝΟΣ ΔΗΛΗΤΗΡΙΑΔΟΥΣ ΑΕΡΙΟΥ. Τα αέρια που εκπέμπει ο κινητήρας περιέχουν μονοξείδιο του άνθρακα, ένα δηλητηριώδες αέριο το οποίο μπορεί να επιφέρει τον θάνατο μέσα σε λίγα λεπτά. Είναι ΑΟΡΑΤΟ, ΑΟΣΜΟ και ΑΓΕΥΣΤΟ. Το γεγονός ότι δεν μυρίζετε τα καυσάεiria δεν αποκλείει την πιθανότητα έκθεσής σας σε μονοξείδιο του άνθρακα. Αν αρχίσετε να νιώθετε ναυτία, ζάλη ή αδυναμία κατά τη χρήση του προϊόντος, βγείτε ΑΥΤΟΣΤΙΓΜΕΙ έξω στον καθαρό αέρα. Επισκεφθείτε γιατρό. Ενδέχεται να έχετε δηλητηριαστεί από μονοξείδιο του άνθρακα.

- Χρησιμοποιείτε το προϊόν MONO σε εξωτερικούς χώρους, μακριά από παράθυρα, πόρτες και αεραγωγούς, προκειμένου να μειώσετε τον κίνδυνο συσσώρευσης και ενδεχόμενης αναρρόφησης του μονοξειδίου του άνθρακα σε χώρους όπου βρίσκονται άνθρωποι.
- Εγκαταστήστε ανιχνευτές μονοξειδίου του άνθρακα που λειτουργούν με μπαταρία ή βυσματούμενους ανιχνευτές μονοξειδίου του άνθρακα με εφεδρική μπαταρία σύμφωνα με τις οδηγίες του κατασκευαστή. Οι ανιχνευτές καπνού δεν μπορούν να ανιχνεύσουν αέριο μονοξείδιο του άνθρακα.
- ΜΗ θέτετε σε λειτουργία τη συσκευή μέσα σε σπίτια, γκαράζ, υπόγεια, αγωγούς, υπόστεγα, ή σε άλλους μερικώς κλειστούς χώρους, ακόμη και αν χρησιμοποιείτε ανεμιστήρες ή έχετε ανοιχτές πόρτες και παράθυρα για εξαερισμό. Το μονοξείδιο του άνθρακα μπορεί να συσσωρευτεί γρήγορα στους χώρους αυτούς και να παραμείνει για ώρες, ακόμα και μετά τη διακοπή της λειτουργίας της συσκευής.
- Τοποθετείτε ΠΑΝΤΑ τη συσκευή στην υπήνεμη πλευρά και με την εξάτμιση του κινητήρα στραμμένη μακριά από χώρους όπου βρίσκονται άνθρωποι.



ΠΡΟΕΙΔΟΠΟΙΗΣΗ



Η ταχεία επανατύλιξη του σχοινιού εκκίνησης (κλώτσημα) θα τραβήξει το χέρι και τον βραχίονά σας προς τον κινητήρα πριν προλάβετε να αφήσετε το σχοινί.

Ενδέχεται να υποστείτε κατάγματα, συντριπτικά κατάγματα, μώλωπες ή διαστρέμματα.

- Κατά την εκκίνηση που κινητήρα, τραβήξτε το σχοινί αργά μέχρι να συναντήσετε αντίσταση και, στη συνέχεια, τραβήξτε απότομα.
- Πριν να εκκινήσετε τον κινητήρα, αφαιρέστε όλα τα εξωτερικά φορτία του εξοπλισμού/κινητήρα.
- Εξαρτήματα άμεσης ζεύξης που περιλαμβάνουν αλλά δεν περιορίζονται σε, λεπίδες, πτερωτές, τροχαλίες, αλυσοτροχούς κλπ., πρέπει να συνδέονται με ασφάλεια.



ΠΡΟΕΙΔΟΠΟΙΗΣΗ



Τα περιστρεφόμενα εξαρτήματα μπορούν να αγγίξουν ή να μαγκώσουν χέρια, πόδια, μαλλιά, ρούχα ή αξεσουάρ.

Ενδέχεται να προκληθεί ακρωτηριασμός ή σοβαρής μορφής σχίσσιμο.

- Όταν χειρίζεστε τον εξοπλισμό φροντίστε ώστε οι προφυλακτήρες να βρίσκονται εγκαταστημένοι στη θέση τους.
- Κρατάτε τα χέρια και τα πόδια σας μακριά από τα περιστρεφόμενα εξαρτήματα.
- Μαζέψτε τα μαλλιά σας, εάν είναι μακριά, και αφαιρέστε τυχόν κοσμήματα.
- Μην φοράτε φαρδιά ρούχα, κορδόνια που κρέμονται ή είδη που θα μπορούσαν να πιαστούν στα περιστρεφόμενα εξαρτήματα του κινητήρα.



ΠΡΟΕΙΔΟΠΟΙΗΣΗ



Η λειτουργία των κινητήρων παράγει θερμότητα. Τα εξαρτήματα του κινητήρα και, ιδιαίτερα, ο σιγαστήρας, αποκτούν εξαιρετικά υψηλές θερμοκρασίες.

Τυχόν επαφή μπορεί να προκαλέσει σοβαρά εγκαύματα.

Υπολείμματα καυσίμων υλών, όπως φύλλα, γρασιδί, φύλλα θάμνων, κλπ. μπορούν να πιάσουν φωτιά.

- Μην αγγίζετε την εξάτμιση, τον κύλινδρο του κινητήρα και τα πτερύγια όσο είναι ακόμη θερμά.
- Απομακρύνετε τα συσσωρευμένα υπολείμματα από την περιοχή του σιγαστήρα εξάτμισης και του κυλίνδρου.
- Η χρήση ή η λειτουργία του κινητήρα σε δασώδη, χλοώδη ή θάμνωδη άγρια περιοχή συνιστά παράβαση του Τμήματος 4442 του Κώδικα περί Φυσικών Πόρων της Καλιφόρνιας, εκτός εάν το σύστημα εξάτμισης διαθέτει σήτα απορρόφησης σπινθήρων που διατηρείται σε καλή λειτουργική κατάσταση, όπως ορίζεται στο

Τμήμα 4442. Παρόμοιες νομοθεσίες μπορεί να ισχύουν και σε άλλες πολιτειακές ή ομοσπονδιακές δικαιοδοσίες. Για σήτα απορρόφησης σπινθίρων σχεδιασμένη για το σύστημα εξάτμισης που είναι εγκατεστημένο στον παρόντα κινητήρα, επικοινωνήστε με τον κατασκευαστή, το κατάστημα πώλησης ή τον αντιπρόσωπο του αρχικού εξοπλισμού.



ΠΡΟΕΙΔΟΠΟΙΗΣΗ

Τυχόν ακούσια δημιουργία σπινθίρων μπορεί να προκαλέσει φωτιά ή ηλεκτροπληξία.

Τυχόν ακούσια εκκίνηση μπορεί να προκαλέσει εμπλοκή μέλους στον κινητήρα, ακρωτηριασμό ή κατατεμαχισμό.

Κίνδυνος πυρκαγιάς

Πριν από την εκτέλεση ρυθμίσεων ή επισκευών:

- Αποσυνδέστε το καλώδιο του μπουζί και κρατήστε το μακριά από το μπουζί.
- Αποσυνδέστε τον αρνητικό πόλο της μπαταρίας (μόνο για μηχανές με ηλεκτρική εκκίνηση).
- Χρησιμοποιείτε μόνο τα σωστά εργαλεία.
- Μην επεμβαίνετε στο ελατήριο του ρυθμιστή ταχύτητας, στους μηχανισμούς ή στα άλλα εξαρτήματα για να αυξήσετε την ταχύτητα του κινητήρα.
- Τα ανταλλακτικά πρέπει να είναι ίδιου σχεδιασμού και να εγκαθίστανται στην ίδια θέση με τα γνήσια εξαρτήματα. Αν χρησιμοποιήσετε διαφορετικά εξαρτήματα, ενδέχεται να μην έχουν αντίστοιχα καλές επιδόσεις και υπάρχει κίνδυνος να προκαλέσουν ζημιά στη μονάδα και τραυματισμό.
- Μη χτυπάτε το σφόνδυλο με σφυρί ή με άλλο σκληρό αντικείμενο, διότι υπάρχει κίνδυνος να σπάσει ο σφόνδυλος κατά τη λειτουργία.

Κατά την εκτέλεση δοκιμών για σπινθήρα:

- Χρησιμοποιείτε εγκεκριμένη διάταξη δοκιμής μπουζί.
- Μην κάνετε έλεγχο για σπινθήρα με βγαλμένο το μπουζί.

Χαρακτηριστικά και χειριστήρια

Χειριστήρια κινητήρα

Συγκρίνετε την απεικόνιση (Εικόνα: 1, 2, 3) με τον κινητήρα σας για να εξοικειωθείτε με τη θέση των διαφόρων χαρακτηριστικών και χειριστηρίων.

- A. Στοιχεία κινητήρα Μοντέλο - Τύπος - Κωδικός
- B. Μπουζί
- C. Ντεπόζιτο καυσίμου και πώμα
- D. Φίλτρο αέρα
- E. Λαβή σχοινού εκκίνησης
- F. Δείκτης στάθμης
- G. Εξάτμιση, προφυλακτήρας εξάτμισης (εάν υπάρχει), σήτα απορρόφησης σπινθίρων (εάν υπάρχει)
- H. Σχάρα αναρρόφησης αέρα
- I. Χειριστήριο γκαζιού (εφόσον υπάρχει)
- J. Τσοκ (εφόσον υπάρχει)
- K. Βαλβίδα διακοπής καυσίμου (εάν υπάρχει)
- L. Διακόπτης λειτουργίας (εφόσον υπάρχει)

Σύμβολα ελέγχου του κινητήρα και τι σημαίνουν

Σύμβολο	Επεξήγηση	Σύμβολο	Επεξήγηση
	Ταχύτητα κινητήρα - FAST (Γρήγορη)		Ταχύτητα κινητήρα - SLOW (Αργή)
	Ταχύτητα κινητήρα - STOP (Παύση)		ON - OFF (Ενεργοποίηση - Απενεργοποίηση)

Σύμβολο	Επεξήγηση	Σύμβολο	Επεξήγηση
	Εκκίνηση κινητήρα - Τσοκ στη θέση CLOSED (Κλειστό)		Εκκίνηση κινητήρα - Τσοκ στη θέση OPEN (Ανοικτό)
	Πώμα ντεπόζιτου καυσίμου Διακόπτης παροχής καυσίμου - OPEN (Ανοικτός)		Διακόπτης παροχής καυσίμου - CLOSED (Κλειστός)
	Στάθμη καυσίμου - Φροντίστε να μην υπερχειλίσει		

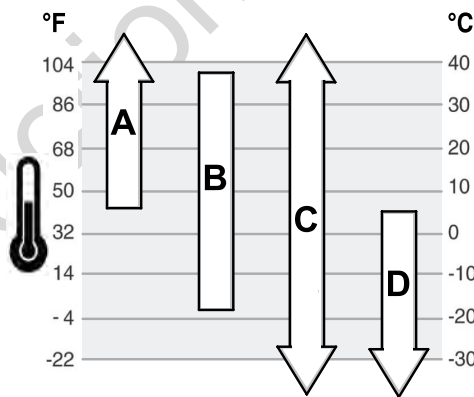
Λειτουργία

Συστάσεις για το λάδι

Χωρητικότητα λαδιού: Ανατρέξτε στην ενότητα **Προδιαγραφές**.

Για βέλτιστες επιδόσεις συνιστάται η χρήση των πιστοποιημένων βάσει εγγύησης λαδιών της Briggs & Stratton. Επιτρέπεται επίσης η χρήση άλλων λαδιών υψηλής ποιότητας με κατάταξη για συντήρηση SF, SG, SH, SJ ή υψηλότερη. Μην χρησιμοποιείτε ειδικά προσθετικά.

Το σωστό ιξώδες λαδιού για τον κινητήρα εξαρτάται από την εξωτερική θερμοκρασία. Χρησιμοποιήστε το διάγραμμα για να επιλέξετε το κατάλληλο ιξώδες για το προβλεπόμενο εύρος εξωτερικών θερμοκρασιών.



A	SAE 30 - Η χρήση λαδιού SAE 30 σε θερμοκρασίες κάτω των 4°C (40°F) θα έχει ως αποτέλεσμα τη δύσκολη εκκίνηση του κινητήρα.
B	10W-30 - Η χρήση 10W-30 σε θερμοκρασίες άνω των 27°C (80°F) θα έχει ως αποτέλεσμα την αυξημένη κατανάλωση λαδιού. Ελέγχετε τη στάθμη του λαδιού συχνότερα.
Γ	Συνθετικό 5W-30
Δ	5W-30

Έλεγχος στάθμης λαδιού

Βλέπε Εικόνα: 4

Πριν από την προσθήκη ή τον έλεγχο της στάθμης λαδιού

- Βεβαιωθείτε ότι ο κινητήρας βρίσκεται σε οριζόντια θέση.
- Καθαρίστε την περιοχή γύρω από το πώμα πλήρωσης λαδιού από τυχόν υπολείμματα.

1. Αφαιρέστε τον δείκτη στάθμης λαδιού (A, Εικόνα 4) και σκουπίστε τον με ένα καθαρό πανί.
2. Τοποθετήστε και σφίξτε το δείκτη στάθμης (A, Εικόνα 4).
3. Αφαιρέστε τον δείκτη στάθμης λαδιού και ελέγξτε τη στάθμη του λαδιού. Η σωστή στάθμη λαδιού είναι στο πάνω μέρος της ένδειξης πλήρους στάθμης (B, Εικόνα 4) στο δείκτη στάθμης.
4. Αν η στάθμη του λαδιού είναι χαμηλή, προσθέστε λάδι στην οπή πλήρωσης λαδιού (C, Εικόνα 4). **Μη γεμίσετε υπερβολικά.** Μετά από την προσθήκη λαδιού, περιμένετε ένα λεπτό και στη συνέχεια ελέγξτε εκ νέου τη στάθμη λαδιού.
5. Επανατοποθετήστε και σφίξτε το δείκτη στάθμης (A, Εικόνα 4).

Συστάσεις για το καύσιμο

Το καύσιμο πρέπει να πληροί τις ακόλουθες απαιτήσεις:

- Καθαρή, φρέσκια, αμόλυβδη βενζίνη.
- Τουλάχιστον 87 οκτάνια/87 AKI (91 RON). Για χρήση σε μεγάλο υψόμετρο βλ. παρακάτω.
- Βενζίνη με έως 10% αιθανόλη (βενζινόλη) είναι αποδεκτή.

ΕΠΙΣΗΜΑΝΣΗ Μην χρησιμοποιείτε μη εγκεκριμένα είδη βενζίνης, όπως E15 και E85. Μην προσθέτετε λάδι στη βενζίνη ούτε να τροποποιείτε τον κινητήρα για να λειτουργεί με εναλλακτικά καύσιμα. Η χρήση μη εγκεκριμένων καυσίμων μπορεί να προκαλέσει βλάβη στα εξαρτήματα του κινητήρα η οποία δεν καλύπτεται από την εγγύηση.

Για να προστατέψετε το σύστημα τροφοδοσίας καυσίμου από τον σχηματισμό υπολειμμάτων, αναμείξτε κατά την προσθήκη καυσίμου ένα βελτιωτικό. Βλέπε **Αποθήκευση**. Όλα τα είδη καυσίμου δεν είναι ίδια. Όταν υπάρχουν προβλήματα ως προς τη εκκίνηση ή την απόδοση του κινητήρα, τότε αλλάξτε προμηθευτή ή μάρκα καυσίμου. Ο εν λόγω κινητήρας έχει πιστοποιηθεί για λειτουργία με βενζίνη. Το σύστημα ελέγχου εκπομπών καυσαερίων για τον συγκεκριμένο κινητήρα είναι EM (Τροποποιήσεις Κινητήρα).

Μεγάλο υψόμετρο

Σε υψόμετρα μεγαλύτερα από 1524 μέτρα (5.000 πόδια), είναι αποδεκτή η χρήση βενζίνης τουλάχιστον 85 οκτανίων/85 AKI (89 RON).

Για κινητήρες με καρμπυρατέρ, απαιτείται ρύθμιση για μεγάλα υψόμετρα για να διατηρηθεί η απόδοση. Η λειτουργία χωρίς τη συγκεκριμένη ρύθμιση θα έχει ως αποτέλεσμα μειωμένη απόδοση, αυξημένη κατανάλωση καυσίμου και αυξημένες εκπομπές καυσαερίων. Για πληροφορίες σχετικά με τη ρύθμιση για μεγάλα υψόμετρα απευθυνθείτε σε εξουσιοδοτημένο αντιπρόσωπο σέρβις της Briggs & Stratton. Δεν ενδείκνυται η λειτουργία του κινητήρα με το kit για μεγάλα υψόμετρα όταν το υψόμετρο είναι μικρότερο από 762 μέτρα (2.500 πόδια).

Για κινητήρες με ηλεκτρονικό ψεκασμό καυσίμου (EFI) δεν απαιτείται ρύθμιση μεγάλου υψόμετρου.

Προσθήκη καυσίμου

Βλέπε Εικόνα: 5



ΠΡΟΕΙΔΟΠΟΙΗΣΗ

Το καύσιμο και οι αναθυμιάσεις του συνιστούν εξαιρετικά εύφλεκτες και εκρηκτικές ουσίες.

Ενδεχόμενη φωτιά ή έκρηξη μπορούν να προκαλέσουν σοβαρά εγκαύματα ή θάνατο.

Κατά την προσθήκη καυσίμου

- Σβήστε τον κινητήρα και αφήστε τον να κρυώσει για τουλάχιστον 2 λεπτά προτού να αφαιρέσετε το πώμα του ντεπόζιτου καυσίμου.
 - Γεμίστε το ντεπόζιτο καυσίμου σε εξωτερικό ή καλά αεριζόμενο χώρο.
 - Μην γεμίζετε υπερβολικά το ντεπόζιτο καυσίμου. Μην υπερβαίνετε το κάτω μέρος του στομίου του ντεπόζιτου καυσίμου, ώστε να υπάρχει χώρος για τη διαστολή του καυσίμου.
 - Φροντίστε ώστε η βενζίνη να μην έρχεται σε επαφή με σπινθήρες, γυμνές φλόγες, οδηγούς φλόγες, θερμότητα και άλλες πηγές ανάφλεξης.
 - Ελέγχετε συχνά τις σωληνώσεις καυσίμου, το ντεπόζιτο καυσίμου, το πώμα και τα εξαρτήματα σύνδεσης για ρωγμές και διαρροές. Προβείτε σε αντικαταστάσεις εάν είναι απαραίτητο.
 - Εάν χυθεί καύσιμο, περιμένετε έως ότου εξατμιστεί προτού να προβείτε σε εκκίνηση του κινητήρα.
1. Απομακρύνετε ακαθαρσίες και υπολείμματα από την περιοχή γύρω από το πώμα του ντεπόζιτου καυσίμου. Αφαιρέστε το πώμα του ντεπόζιτου καυσίμου.
 2. Γεμίστε το ντεπόζιτο καυσίμου (Α, Εικόνα 5) με καύσιμο. Μην γεμίζετε περισσότερο από το κάτω μέρος του στομίου (Β) του ντεπόζιτου καυσίμου, ώστε να υπάρχει χώρος για τη διαστολή του καυσίμου.
 3. Επανατοποθετήστε το πώμα του ντεπόζιτου καυσίμου.

Εκκίνηση και διακοπή της λειτουργίας του κινητήρα

Βλ. Εικόνα: 6, 7, 8, 9

Εκκίνηση του κινητήρα



ΠΡΟΕΙΔΟΠΟΙΗΣΗ



Η ταχεία επανατύλιξη του σχοινού εκκίνησης (κλώστρημα) θα τραβήξει το χέρι και τον βραχίονά σας προς τον κινητήρα πριν προλάβετε να αφήσετε το σχοινί.

Ενδέχεται να υποστείτε κατάγματα, συντριπτικά κατάγματα, μώλωπες ή διαστρέμματα.

- Κατά την εκκίνηση του κινητήρα, τραβήξτε το σχοινί αργά μέχρι να συναντήσετε αντίσταση και, στη συνέχεια, τραβήξτε απότομα.



ΠΡΟΕΙΔΟΠΟΙΗΣΗ



Το καύσιμο και οι αναθυμιάσεις του συνιστούν εξαιρετικά εύφλεκτες και εκρηκτικές ουσίες.

Ενδεχόμενη φωτιά ή έκρηξη μπορούν να προκαλέσουν σοβαρά εγκαύματα ή θάνατο.

Κατά την εκκίνηση του κινητήρα

- Βεβαιωθείτε ότι το μπουζί, ο σιγαστήρας, το πώμα του ντεπόζιτου καυσίμου και το φίλτρο αέρα (εφόσον υπάρχουν) βρίσκονται στη θέση τους και ότι έχουν στερεωθεί καλά.
- Μην προσπαθείτε να εκκινήσετε τον κινητήρα με βγαλμένο το μπουζί.
- Εάν ο κινητήρας μπουκώσει, θέστε το τσοκ (εάν υπάρχει) στη θέση OPEN / RUN, μετακινήστε τον μοχλό του γκαζιού (εάν υπάρχει) στη θέση FAST και περιστρέψτε τον κινητήρα έως ότου τεθεί σε λειτουργία.



ΠΡΟΕΙΔΟΠΟΙΗΣΗ



ΚΙΝΔΥΝΟΣ ΔΗΛΗΤΗΡΙΩΔΟΥΣ ΑΕΡΙΟΥ. Τα αέρια που εκπέμπει ο κινητήρας περιέχουν μονοξείδιο του άνθρακα, ένα δηλητηριώδες αέριο το οποίο μπορεί να επιφέρει τον θάνατο μέσα σε λίγα λεπτά. Είναι ΑΟΡΑΤΟ, ΑΟΣΜΟ και ΑΓΕΥΣΤΟ. Το γεγονός ότι δεν μυρίζετε τα καυσάεiria δεν αποκλείει την πιθανότητα έκθεσής σας σε μονοξείδιο του άνθρακα. Σε περίπτωση που αισθανθείτε αδιαθεσία, ζαλάδα ή αδυναμία κατά τη χρήση του προϊόντος, σβήστε τον κινητήρα και μεταφερθείτε ΑΜΕΣΩΣ σε χώρο με καθαρό αέρα. Επισκεφθείτε γιατρό. Ενδέχεται να έχετε δηλητηριαστεί από μονοξείδιο του άνθρακα.

- Χρησιμοποιείτε το προϊόν MONO σε εξωτερικούς χώρους, μακριά από παράθυρα, πόρτες και αεραγωγούς, προκειμένου να μειώσετε τον κίνδυνο συσσώρευσης και ενδεχόμενης αναρρόφησης του μονοξειδίου του άνθρακα σε χώρους όπου βρίσκονται άνθρωποι.
- Εγκαταστήστε ανιχνευτές μονοξειδίου του άνθρακα που λειτουργούν με μπαταρία ή βιολογικούς ανιχνευτές μονοξειδίου του άνθρακα με εφεδρική μπαταρία σύμφωνα με τις οδηγίες του κατασκευαστή. Οι ανιχνευτές καπνού δεν μπορούν να ανιχνεύσουν αέριο μονοξειδίου του άνθρακα.
- ΜΗΝ θέτετε σε λειτουργία τη συσκευή μέσα σε σπίνια, γκαράζ, υπόγεια, αγωγούς, υπόστεγα, ή σε άλλους μερικώς κλειστούς χώρους, ακόμη και αν χρησιμοποιείτε ανεμιστήρες ή έχετε ανοιχτές πόρτες και παράθυρα για εξαερισμό. Το μονοξείδιο του άνθρακα μπορεί να συσσωρευτεί γρήγορα στους χώρους αυτούς και να παραμείνει για ώρες, ακόμα και μετά τη διακοπή της λειτουργίας της συσκευής.
- Τοποθετείτε ΠΑΝΤΑ τη συσκευή στην υπήνεμη πλευρά και με την εξάτμιση του κινητήρα στραμμένη μακριά από χώρους όπου βρίσκονται άνθρωποι.

ΕΠΙΣΗΜΑΝΣΗ Ο παρών κινητήρας αποστέλλεται από την Briggs & Stratton χωρίς λάδι. Προτού εκκινήσετε τον κινητήρα, βεβαιωθείτε ότι έχετε προσθέσει λάδι σύμφωνα με τις οδηγίες που παρέχονται στο εγχειρίδιο. Εάν θέσετε τον κινητήρα σε λειτουργία χωρίς λάδι, θα υποστεί ανεπανόρθωτη βλάβη η οποία δεν καλύπτεται από την εγγύηση.

Προσδιορισμός του συστήματος εκκίνησης

Πριν θέσετε σε λειτουργία τον κινητήρα, πρέπει να προσδιορίσετε τον τύπο του συστήματος εκκίνησης που διαθέτει ο κινητήρας σας. Ο κινητήρας σας θα διαθέτει έναν από τους ακόλουθους τύπους.

- **Σύστημα ReadyStart®:** Αυτό το σύστημα διαθέτει αυτόματο τσοκ το οποίο ρυθμίζεται με βάση τη θερμοκρασία. Δεν διαθέτει χειροκίνητο τσοκ (μοχλό αέρος) ούτε μεμβράνη.
- **Σύστημα τσοκ:** Το σύστημα διαθέτει τσοκ για την εκκίνηση του κινητήρα σε χαμηλές θερμοκρασίες. Ορισμένα μοντέλα διαθέτουν ξεχωριστό χειριστήριο τσοκ ενώ άλλα διαθέτουν συνδυασμένο χειριστήριο τσοκ/γκαζιού. Ο συγκεκριμένος τύπος δεν διαθέτει σύστημα προπλήρωσης καυσίμου (πουάρ).

Για να θέσετε σε λειτουργία τον κινητήρα, ακολουθήστε τις οδηγίες που αντιστοιχούν στον τύπο του συστήματος εκκίνησης του κινητήρα σας.

Σημείωση: Ο εξοπλισμός μπορεί να διαθέτει τηλεχειρισμό. Για τη θέση και τη λειτουργία του τηλεχειρισμού ανατρέξτε στο εγχειρίδιο του εξοπλισμού.

Σύστημα αυτόματης εκκίνησης®

1. Ελέγξτε το λάδι του κινητήρα. Ανατρέξτε στην ενότητα **Έλεγχος της στάθμης λαδιού**.
2. Βεβαιωθείτε ότι όλα τα χειριστήρια μετάδοσης κίνησης του εξοπλισμού, εάν υπάρχουν, είναι αποσυμπλεγμένα.
3. Μετακινήστε τον διακόπτη (βαλβίδα) καυσίμου (Α, Εικόνα 6), εφόσον υπάρχει, στη θέση OPEN.
4. Μετακινήστε τον μοχλό γκαζιού (Β, Εικόνα 6), εφόσον υπάρχει, στη θέση FAST. Χειριστείτε τον κινητήρα στη θέση FAST.
5. Πιέστε τον διακόπτη λειτουργίας (D, Εικόνα 7), εφόσον υπάρχει, στη θέση ON.
6. Εάν το προϊόν είναι εξοπλισμένο με μοχλό διακοπής της λειτουργίας του κινητήρα (C, Εικόνα 8), κρατήστε τον μοχλό μαζί με τη λαβή.
7. **Διακόπτης επανεκκίνησης, εάν υπάρχει:** Κρατήστε καλά τη λαβή του σχοινού εκκίνησης (G, Εικόνα 6). Τραβήξτε τη λαβή του σχοινού εκκίνησης αργά, μέχρι να συναντήσετε αντίσταση και, στη συνέχεια, τραβήξτε απότομα.



ΠΡΟΕΙΔΟΠΟΙΗΣΗ

Η ταχεία επανατύλιξη του σχοινού εκκίνησης (κλώστρημα) θα τραβήξει το χέρι και το βραχίονά σας προς τον κινητήρα πριν προλάβετε να αφήσετε το σχοινί. Ενδέχεται να υποστείτε κατάγματα, συντριπτικά κατάγματα, μώλωπες ή διαστρέμματα. Κατά την εκκίνηση που κινητήρα, τραβήξτε το σχοινί αργά μέχρι να συναντήσετε αντίσταση και, στη συνέχεια, τραβήξτε απότομα.

8. **Διακόπτης ηλεκτρικής εκκίνησης, εφόσον υπάρχει:** Στρέψτε τον ηλεκτρικό διακόπτη στη θέση ON / START.

ΕΠΙΣΗΜΑΝΣΗ Για να παρατείνετε τη διάρκεια ζωής του εκκινητήρα, χρησιμοποιήστε σύντομους κύκλους εκκίνησης (πέντε δευτερόλεπτων κατά το μέγιστο). Αφήστε ένα λεπτό μεταξύ των κύκλων εκκίνησης.

Σημείωση: Εάν ο κινητήρας δεν ξεκινήσει μετά από επανειλημμένες προσπάθειες, απευθυνθείτε στον τοπικό σας αντιπρόσωπο ή επισκεφθείτε την ηλεκτρονική διεύθυνση **BRIGGSandSTRATTON.com** ή καλέστε στον αριθμό **1-800-233-3723** (στις ΗΠΑ).

Σύστημα τσοκ

1. Ελέγξτε το λάδι του κινητήρα. Ανατρέξτε στην ενότητα **Έλεγχος της στάθμης λαδιού**.
2. Βεβαιωθείτε ότι όλα τα χειριστήρια μετάδοσης κίνησης του εξοπλισμού, εάν υπάρχουν, είναι αποσυμπλεγμένα.
3. Μετακινήστε τον διακόπτη (βαλβίδα) καυσίμου (Α, Εικόνα 6), εφόσον υπάρχει, στη θέση OPEN.
4. Μετακινήστε τον μοχλό γκαζιού (Β, Εικόνα 6), εάν υπάρχει, στη θέση FAST. Χειριστείτε τον κινητήρα στη θέση FAST.
5. Μετακινήστε το χειριστήριο τσοκ (F, Εικόνα 9), στη θέση CLOSED.

Σημείωση: Το τσοκ συνήθως δεν χρειάζεται όταν επανεκκινείτε έναν ζεστό κινητήρα.

6. Πιέστε τον διακόπτη λειτουργίας (D, Εικόνα 9), εφόσον υπάρχει, στη θέση ON.
7. Εάν το προϊόν είναι εξοπλισμένο με μοχλό διακοπής της λειτουργίας του κινητήρα (C, Εικόνα 8), κρατήστε τον μοχλό μαζί με τη λαβή.
8. **Διακόπτης επανεκκίνησης, εάν υπάρχει:** Κρατήστε καλά τη λαβή του σχοινού εκκίνησης (G, Εικόνα 6). Τραβήξτε τη λαβή του σχοινού εκκίνησης αργά, μέχρι να συναντήσετε αντίσταση και, στη συνέχεια, τραβήξτε απότομα.



ΠΡΟΕΙΔΟΠΟΙΗΣΗ

Η ταχεία επανατύλιξη του σχοινού εκκίνησης (κλώστρημα) θα τραβήξει το χέρι και το βραχίονά σας προς τον κινητήρα πριν προλάβετε να αφήσετε το σχοινί. Ενδέχεται να υποστείτε κατάγματα, συντριπτικά κατάγματα, μώλωπες ή διαστρέμματα. Κατά την εκκίνηση που κινητήρα, τραβήξτε το σχοινί αργά μέχρι να συναντήσετε αντίσταση και, στη συνέχεια, τραβήξτε απότομα.

9. **Διακόπτης ηλεκτρικής εκκίνησης, εφόσον υπάρχει:** Στρέψτε τον ηλεκτρικό διακόπτη στη θέση ON / START.

ΕΠΙΣΗΜΑΝΣΗ Για να παρατείνετε τη διάρκεια ζωής του εκκινητήρα, χρησιμοποιήστε σύντομους κύκλους εκκίνησης (πέντε δευτερόλεπτων κατά το μέγιστο). Αφήστε ένα λεπτό μεταξύ των κύκλων εκκίνησης.

10. Ενώσω θερμαίνεται ο κινητήρας, μετακινήστε το χειριστήριο τσοκ (F, Εικόνα 9) στη θέση OPEN / RUN.

Σημείωση: Εάν ο κινητήρας δεν ξεκινήσει μετά από επανειλημμένες προσπάθειες, απευθυνθείτε στον τοπικό σας αντιπρόσωπο ή επισκεφθείτε την ηλεκτρονική διεύθυνση **BRIGGSandSTRATTON.com** ή καλέστε στον αριθμό **1-800-233-3723** (στις ΗΠΑ).

Σβήστε τον κινητήρα



ΠΡΟΕΙΔΟΠΟΙΗΣΗ



Το καύσιμο και οι αναθυμιάσεις του συνιστούν εξαιρετικά εύφλεκτες και εκρηκτικές ουσίες.

Ενδεχόμενη φωτιά ή έκρηξη μπορούν να προκαλέσουν σοβαρά εγκαύματα ή θάνατο.

- Μην κλείνετε τον αέρα στο καρμπυρατέρ με το τσοκ, εφόσον υπάρχει, για να σταματήσετε τον κινητήρα.
1. **Μοχλός διακοπής της λειτουργίας του κινητήρα, εάν υπάρχει:** Αφήστε τον μοχλό διακοπής της λειτουργίας του κινητήρα (Ε, Εικόνα 8).
Διακόπτης παύσης λειτουργίας, εάν υπάρχει: Μετακινήστε το διακόπτη λειτουργίας (D, Εικόνα 7, 9) στη θέση OFF.
Χειριστήριο γκαζιού, εφόσον υπάρχει: Μετακινήστε τον μοχλό γκαζιού (Β, Εικόνα 6) στη θέση STOP.
Ηλεκτρικό κουμπί εκκίνησης, εφόσον υπάρχει: Στρέψτε το ηλεκτρικό κουμπί εκκίνησης στη θέση OFF / STOP. Αφαιρέστε το κλειδί και φυλάξτε το σε ασφαλές μέρος μακριά από παιδιά.
 2. Μετά τη διακοπή λειτουργίας του κινητήρα, μετακινήστε τη βαλβίδα διακοπής καυσίμου (Α, Εικόνα 6), εάν υπάρχει, στη θέση CLOSED.

Συντήρηση

ΕΠΙΣΗΜΑΝΣΗ Αν κατά τη συντήρηση γείρετε τον κινητήρα, το νεπετόζιτο καυσίμου, αν είναι εγκατεστημένο πάνω στον κινητήρα, πρέπει να είναι άδειο και η πλευρά του μπουζί να είναι προς τα πάνω. Εάν το νεπετόζιτο καυσίμου δεν είναι άδειο και γείρετε τον κινητήρα προς οποιαδήποτε άλλη κατεύθυνση, ενδέχεται να είναι δύσκολο να τον θέσετε σε λειτουργία λόγω μόλυνσης με λάδι ή βενζίνη του φίλτρου αέρα και/ή του μπουζί.



ΠΡΟΕΙΔΟΠΟΙΗΣΗ

Εάν απαιτείται να γείρετε τη μονάδα για λόγους συντήρησης, το νεπετόζιτο καυσίμου πρέπει να είναι άδειο διότι, διαφορετικά, υπάρχει κίνδυνος διαρροής καυσίμου και πρόκλησης πυρκαγιάς ή έκρηξης.

Για κάθε εργασία συντήρησης και σέρβις του κινητήρα και των εξαρτημάτων του σας συνιστούμε να επισκεπτεστείτε εξουσιοδοτημένο αντιπρόσωπο της Briggs & Stratton.

ΕΠΙΣΗΜΑΝΣΗ Για να διασφαλιστεί η ομαλή λειτουργία αυτού του κινητήρα, όλα τα εξαρτήματα που χρησιμοποιήθηκαν για την κατασκευή του πρέπει να παραμένουν στη θέση τους.



ΠΡΟΕΙΔΟΠΟΙΗΣΗ



Τυχόν ακούσια δημιουργία σπινθήρων μπορεί να προκαλέσει φωτιά ή ηλεκτροπληξία.

Τυχόν ακούσια εκκίνηση μπορεί να προκαλέσει εμπλοκή μέλους στον κινητήρα, ακρωτηριασμό ή κατατεμαχισμό.

Κίνδυνος πυρκαγιάς

Πριν από την εκτέλεση ρυθμίσεων ή επισκευών

- Αποσυνδέστε το καλώδιο του μπουζί και κρατήστε το μακριά από το μπουζί.
- Αφαιρέστε τη μπαταρία από την ειδική θέση της που βρίσκεται στο επάνω μέρος του κινητήρα. Σε ορισμένες περιπτώσεις, η μπαταρία μπορεί να λειτουργεί ως κλειδί.
- Χρησιμοποιείτε μόνο τα σωστά εργαλεία.
- Μην επεμβαίνετε στα ελατήρια του ρυθμιστή ταχύτητας, στους μηχανισμούς ή στα άλλα εξαρτήματα για να αυξήσετε την ταχύτητα του κινητήρα.
- Τα ανταλλακτικά πρέπει να είναι ίδιου σχεδιασμού και να εγκαθίστανται στην ίδια θέση με τα γνήσια εξαρτήματα. Εάν τα εξαρτήματα διαφέρουν, ενδέχεται να μην αποδίδουν εξίσου καλά, να προκαλέσουν βλάβες στη μονάδα, ακόμη και τραυματισμό.
- Μην χτυπάτε το σφόνδυλο με σφυρί ή με άλλο σκληρό αντικείμενο, διότι υπάρχει κίνδυνος να σπάσει ο σφόνδυλος κατά τη λειτουργία.

Κατά τον έλεγχο για σπινθήρα:

- Χρησιμοποιείτε εγκεκριμένη διάταξη δοκιμής μπουζί.
- Μην κάνετε έλεγχο για σπινθήρα έχοντας αφαιρέσει το μπουζί.

Σέρβις Συστήματος ελέγχου εκπομπών

Τη συντήρηση, αντικατάσταση και επισκευή των συσκευών και συστημάτων ελέγχου εκπομπών κινητήρων που χρησιμοποιούνται εκτός δρόμου μπορούν να αναλαμβάνουν ιδιώτες ή εταιρείες επισκευής. Ωστόσο, τη συντήρηση του συστήματος ελέγχου εκπομπών καυσαερίων "χωρίς επιβάρυνση" πρέπει να αναλαμβάνει εξουσιοδοτημένος αντιπρόσωπος του κατασκευαστή. Δείτε τις Δηλώσεις για τον Έλεγχο εκπομπών.

Πρόγραμμα Συντήρησης

Πριν από κάθε χρήση
<ul style="list-style-type: none">Έλεγχος στάθμης λαδιού κινητήραΚαθαρισμός της περιοχής γύρω από τον σιγαστήρα εξάτμισης και τα χειριστήριαΚαθαρισμός σχάρας αναρρόφησης αέρα
Κάθε 25 ώρες ή ετησίως
<ul style="list-style-type: none">Καθαρισμός του φίλτρου αέρα ¹Καθαρισμός του προφίλτρου, εφόσον υπάρχει
Κάθε 50 ώρες ή ετησίως
<ul style="list-style-type: none">Έλεγχος συστήματος εξάτμισης
Ετησίως
<ul style="list-style-type: none">Αντικατάσταση μπουζίΑντικατάσταση φίλτρου αέραΑντικατάσταση προφίλτρου, εφόσον υπάρχειΈλεγχος συστήματος ψύξης ¹

¹ Υπό συνθήκες σκόνης ή όταν υπάρχουν αερόφερα υπολείμματα, να καθαρίζετε πιο συχνά.

Καρμπιρατέρ και ταχύτητα κινητήρα

Μην ρυθμίζετε ποτέ το καρμπιρατέρ και την ταχύτητα του κινητήρα. Το καρμπιρατέρ έχει ρυθμιστεί εργοστασιακά ώστε να λειτουργεί αποτελεσματικά υπό τις περισσότερες συνθήκες. Μην επεμβαίνετε στο ελατήριο του ρυθμιστή ταχύτητας, στους μηχανισμούς ή στα άλλα εξαρτήματα για να τροποποιήσετε την ταχύτητα του κινητήρα. Σε περίπτωση που απαιτούνται οποιοσδήποτε ρυθμίσεις, απευθυνθείτε σε εξουσιοδοτημένο αντιπρόσωπο σέρβις της Briggs & Stratton.

ΕΠΙΣΗΜΑΝΣΗ Η μέγιστη ταχύτητα του κινητήρα καθορίζεται από τον κατασκευαστή κατά την τοποθέτησή του κινητήρα στον εξοπλισμό. **Μην υπερβείτε** αυτή την ταχύτητα. Εάν δεν είστε βέβαιοι για τη μέγιστη ταχύτητα του εξοπλισμού ή τη ρυθμισμένη από το εργοστάσιο ταχύτητα του κινητήρα, απευθυνθείτε για βοήθεια σε εξουσιοδοτημένο αντιπρόσωπο σέρβις της Briggs & Stratton. Για την ασφαλή και ορθή λειτουργία του εξοπλισμού, η ταχύτητα του κινητήρα πρέπει να ρυθμίζεται αποκλειστικά από εξειδικευμένο τεχνικό συντήρησης.

Σέρβις του μπουζί

Βλέπε Εικόνα: 10

Ελέγξτε το διάκενο (Α, Εικόνα 10) με διακονόμετρο (Β). Εάν χρειάζεται, ρυθμίστε εκ νέου το διάκενο. Τοποθετήστε και σφίξτε το μπουζί σύμφωνα με τη συνιστώμενη ροπή σύσφιξης. Σχετικά με τη ρύθμιση του διακένου ή της ροπής σύσφιξης, ανατρέξτε στην ενότητα **Προδιαγραφές**.

Σημείωση: Σε ορισμένες περιπτώσεις, η τοπική νομοθεσία απαιτεί τη χρήση μπουζί με αντίσταση για να καταστέλλονται τα κύματα ανάφλεξης. Αν ο κινητήρας σας είχε αρχικά μπουζί με αντίσταση, πρέπει να χρησιμοποιήσετε τον ίδιο τύπο στις επόμενες αντικαταστάσεις.

Σέρβις Συστήματος εξάτμισης



ΠΡΟΕΙΔΟΠΟΙΗΣΗ

Η λειτουργία των κινητήρων παράγει θερμότητα. Τα εξαρτήματα του κινητήρα, και ιδιαίτερα ο σιγαστήρας, αποκτούν εξαιρετικά υψηλές θερμοκρασίες.

Τυχόν επαφή μπορεί να προκαλέσει σοβαρά εγκαύματα.

Υπολείμματα καύσιμων υλών, όπως φύλλα, γρασίδι, φύλλα θάμνων, κλπ. μπορούν να πιάσουν φωτιά.

- Μην αγγίζετε το σιγαστήρα, τον κύλινδρο του κινητήρα και τα πτερύγια όσο είναι ακόμη θερμά.
- Απομακρύνετε τα συσσωρευμένα υπολείμματα από την περιοχή του σιγαστήρα και του κυλίνδρου.
- Η χρήση ή η λειτουργία του κινητήρα σε δασώδη, χλωώδη ή θαμνώδη περιοχή συνιστά παράβαση του Τμήματος 4442 του Κώδικα περί Φυσικών Πόρων της Καλιφόρνιας, εκτός εάν το σύστημα εξάτμισης διαθέτει σήτα απορρόφησης σπινθήρων που διατηρείται σε καλή λειτουργική κατάσταση, όπως ορίζεται στο Τμήμα 4442. Παρόμοιες νομοθεσίες μπορεί να ισχύουν και σε άλλες πολιτειακές ή ομοσπονδιακές δικαιοδοσίες. Για σήτα απορρόφησης σπινθήρων σχεδιασμένη για το σύστημα εξάτμισης που είναι εγκατεστημένο στον παρόντα κινητήρα, επικοινωνήστε με τον κατασκευαστή, το κατάστημα πώλησης ή τον αντιπρόσωπο του αρχικού εξοπλισμού.

Απομακρύνετε τα συσσωρευμένα υπολείμματα από την περιοχή του σιγαστήρα εξάτμισης και του κυλίνδρου. Ελέγξτε το σιγαστήρα για ρωγμές, διάβρωση ή άλλες ζημιές. Αφαιρέστε τη σήτα απορρόφησης σπινθήρων, εφόσον υπάρχει, και ελέγξτε για ζημιές ή απόφραξη από άνθρακα. Εάν διαπιστώσετε φθορές, αντικαταστήστε τα εξαρτήματα πριν από τη χρήση.



ΠΡΟΕΙΔΟΠΟΙΗΣΗ

Τα ανταλλακτικά πρέπει να είναι ίδιου σχεδιασμού και να εγκαθίστανται στην ίδια θέση με τα γνήσια εξαρτήματα. Εάν τα εξαρτήματα διαφέρουν, ενδέχεται να μην αποδίδουν εξίσου καλά, να προκαλέσουν βλάβες στη μονάδα, ακόμη και τραυματισμό.

Αλλαγή λαδιού κινητήρα

Βλ. Εικόνα: 11, 12, 13



ΠΡΟΕΙΔΟΠΟΙΗΣΗ

Το καύσιμο και οι αναθυμιάσεις του συνιστούν εξαιρετικά εύφλεκτα και εκρηκτικές ουσίες.

Ενδεχόμενη φωτιά ή έκρηξη μπορούν να προκαλέσουν σοβαρά εγκαύματα ή θάνατο.

Η λειτουργία των κινητήρων παράγει θερμότητα. Τα εξαρτήματα του κινητήρα και, ιδιαίτερα, ο σιγαστήρας, αποκτούν εξαιρετικά υψηλές θερμοκρασίες.

Τυχόν επαφή μπορεί να προκαλέσει σοβαρά εγκαύματα.

- Εάν αποστραγγίσετε το λάδι από τον επάνω σωλήνα πλήρωσης λαδιού, το ντεπόζιτο καυσίμου πρέπει να είναι άδειο διότι, διαφορετικά, υπάρχει κίνδυνος διαρροής καυσίμου και πρόκλησης πυρκαγιάς ή έκρηξης.
- Μην αγγίζετε την εξάτμιση, τον κύλινδρο του κινητήρα και τα πτερύγια όσο είναι ακόμη θερμά.

Ελέγξτε τη στάθμη του λαδιού και, εάν χρειάζεται, προσθέστε λάδι. Ανατρέξτε στην ενότητα Έλεγχος/Προσθήκη λαδιού. Η αλλαγή λαδιού δεν είναι απαραίτητη, αλλά εάν την κρίνετε σκόπιμη ακολουθήστε την παρακάτω διαδικασία.

Το χρησιμοποιημένο λάδι είναι επικίνδυνο απόβλητο και πρέπει να απορρίπτεται ως αρμόζι. Μην το απορρίπτετε στον κάδο οικιακών απορριμμάτων. Για ασφαλείς εγκαταστάσεις απόρριψης/ανακύκλωσης, επικοινωνήστε με τις τοπικές αρχές, το κέντρο συντήρησης ή τον τοπικό αντιπρόσωπο.

Αδειασμα λαδιού

Το λάδι πρέπει να αποστραγγιστεί από τον πάνω σωλήνα πλήρωσης λαδιού.

- Με τον κινητήρα εκτός λειτουργίας και ενώ είναι ακόμη ζεστός, αποσυνδέστε το καλώδιο του μπουζί (D, Εικόνα 11) και κρατήστε το μακριά από το μπουζί (E).
- Αφαιρέστε τον δείκτη στάθμης (A, Εικόνα 12).
- Εάν αποστραγγίσετε το λάδι από τον επάνω σωλήνα πλήρωσης λαδιού (C, Εικόνα 13), κρατήστε το άκρο του μπουζί του κινητήρα (E) σε όρθια θέση. Αδειάστε το λάδι σε εγκεκριμένο δοχείο.



ΠΡΟΕΙΔΟΠΟΙΗΣΗ

Εάν αποστραγγίσετε το λάδι από τον επάνω σωλήνα πλήρωσης λαδιού, το ντεπόζιτο καυσίμου πρέπει να είναι άδειο διότι, διαφορετικά, υπάρχει κίνδυνος διαρροής καυσίμου και πρόκλησης πυρκαγιάς ή έκρηξης. Για να αδειάσετε το ντεπόζιτο καυσίμου, αφήστε τον κινητήρα σε λειτουργία έως ότου εξαντληθεί το καύσιμο και σταματήσει η λειτουργία.

Προσθήκη λαδιού

- Βεβαιωθείτε ότι ο κινητήρας βρίσκεται σε οριζόντια θέση.

- Καθαρίστε την περιοχή γύρω από το πώμα πλήρωσης λαδιού από τυχόν υπολείμματα.
 - Ανατρέξτε στην ενότητα **Προδιαγραφές** για να δείτε τη χωρητικότητα λαδιού.
1. Αφαιρέστε τον δείκτη στάθμης λαδιού (Α, Εικόνα 12) και σκουπίστε τον με ένα καθαρό πανί.
 2. Προσθέστε αργά λάδι μέσα από την οπή πλήρωσης λαδιού (C, Εικόνα 12). **Μην γεμίζετε υπερβολικά.** Μετά την προσθήκη του λαδιού, περιμένετε ένα λεπτό και εν συνεχεία ελέγξτε τη στάθμη του λαδιού.
 3. Τοποθετήστε και σφίξτε τον δείκτη στάθμης (Α, Εικόνα 12).
 4. Αφαιρέστε τον δείκτη στάθμης λαδιού και ελέγξτε τη στάθμη του λαδιού. Η σωστή στάθμη λαδιού είναι το πάνω σημείο της ένδειξης πλήρους στάθμης (B, Εικόνα 12) που απεικονίζεται στον δείκτη στάθμης.
 5. Επανατοποθετήστε και σφίξτε τον δείκτη στάθμης (Α, Εικόνα 12).
 6. Συνδέστε το καλώδιο (D, Εικόνα 11) στο μπουζί (E).

Έλεγχος του φίλτρου αέρα

Βλ. Εικόνα: 14



ΠΡΟΕΙΔΟΠΟΙΗΣΗ

Το καύσιμο και οι αναθυμιάσεις του συνιστούν εξαιρετικά εύφλεκτες και εκρηκτικές ουσίες.

Ενδεχόμενη φωτιά ή έκρηξη μπορούν να προκαλέσουν σοβαρά εγκαύματα ή θάνατο.

- Μην θέτετε ποτέ και μην διατηρείτε σε λειτουργία τον κινητήρα όταν έχει αφαιρεθεί το συγκρότημα του φίλτρου αέρα (εφόσον υπάρχει) ή το ίδιο το φίλτρο αέρα (εφόσον υπάρχει).

ΕΠΙΣΗΜΑΝΣΗ Μην χρησιμοποιείτε πεπιεσμένο αέρα ή διαλύτες για να καθαρίσετε το φίλτρο. Ο πεπιεσμένος αέρας μπορεί να προκαλέσει βλάβη στο φίλτρο, ενώ οι διαλύτες θα το διαλύσουν.

Για τις απαιτήσεις συντήρησης ανατρέξτε στο **Πρόγραμμα Συντήρησης**.

Χάρτινο φίλτρο αέρα

1. Ανοίξτε το κάλυμμα (B, Εικόνα 14).
2. Αφαιρέστε το φίλτρο (C, Εικόνα 14).
3. Αφαιρέστε το προφίλτρο (E, Εικόνα 14), εφόσον υπάρχει, από το φίλτρο. Για να απομακρύνετε τα υπολείμματα, χτυπήστε ελαφρά το φίλτρο σε σκληρή επιφάνεια. Εάν το φίλτρο είναι πολύ βρόμικο, αντικαταστήστε το με ένα καινούργιο.
4. Πλύνετε το προφίλτρο με υγρό απορρυπαντικό και νερό. Στη συνέχεια αφήστε το να στεγνώσει καλά στον αέρα. **Μην λιπαίνετε το προφίλτρο.**
5. Συναρμολογήστε το στεγνό προφίλτρο, εφόσον υπάρχει, στο φίλτρο.
6. Τοποθετήστε το φίλτρο (C, Εικόνα 14).
7. Κλείστε το κάλυμμα (B, Εικόνα 14).

Σέρβις Συστήματος ψύξης



ΠΡΟΕΙΔΟΠΟΙΗΣΗ

Η λειτουργία των κινητήρων παράγει θερμότητα. Τα εξαρτήματα του κινητήρα, και ιδιαίτερα ο σιγαστήρας, αποκτούν εξαιρετικά υψηλές θερμοκρασίες.

Τυχόν επαφή μπορεί να προκαλέσει σοβαρά εγκαύματα.

Υπολείμματα καυσίμων υλών, όπως φύλλα, γρασιδί, φύλλα θάμνων, κλπ. μπορούν να πιάσουν φωτιά.

- Μην αγγίζετε το σιγαστήρα, τον κύλινδρο του κινητήρα και τα πτερύγια όσο είναι ακόμη θερμά.
- Απομακρύνετε τα συσσωρευμένα υπολείμματα από την περιοχή του σιγαστήρα και του κυλίνδρου.

ΕΠΙΣΗΜΑΝΣΗ Μη χρησιμοποιείτε νερό για να καθαρίσετε τον κινητήρα. Υπάρχει κίνδυνος το νερό να μαλίνει το σύστημα τροφοδοσίας καυσίμου. Χρησιμοποιείτε βούρτσα ή στεγνό πανί για να καθαρίσετε τον κινητήρα.

Ο κινητήρας αυτός είναι αερόψυκτος. Οι σκόνες και τα διάφορα υπολείμματα μπορούν να περιορίσουν την παροχή αέρα και να προκαλέσουν υπερθέρμανση του κινητήρα, με αποτέλεσμα τη χαμηλή απόδοση και τη μείωση της διάρκειας ζωής του.

1. Χρησιμοποιήστε βούρτσα ή στεγνό πανί για να αφαιρέσετε τα υπολείμματα από την περιοχή αναρρόφησης αέρα.

2. Διατηρείτε τους συνδέσμους, τα ελατήρια και τους διακόπτες καθαρά
3. Φροντίστε η περιοχή γύρω και πίσω από το σιγαστήρα, αν υπάρχει, να διατηρείται καθαρή από εύφλεκτα υπολείμματα.
4. Βεβαιωθείτε ότι δεν υπάρχουν ακαθαρσίες και υπολείμματα στα πτερύγια του ψύκτη λαδιού, εφόσον υπάρχουν.

Μετά από κάποιο χρονικό διάστημα, υπάρχει περίπτωση να συσσωρευτούν διάφορα υπολείμματα στα πτερύγια ψύξης του κυλίνδρου και να προκαλέσουν υπερθέρμανση του κινητήρα. Τα υπολείμματα αυτά δεν μπορούν να αφαιρεθούν χωρίς μερική αποσυναρμολόγηση του κινητήρα. Αναθέτετε τον έλεγχο και τον καθαρισμό του αερόψυκτου συστήματος σε εξουσιοδοτημένο αντιπρόσωπο της Briggs & Stratton, όπως συστατεί στο **Διάγραμμα Συντήρησης**.

Αποθήκευση



ΠΡΟΕΙΔΟΠΟΙΗΣΗ

Το καύσιμο και οι αναθυμιάσεις του συνιστούν εξαιρετικά εύφλεκτες και εκρηκτικές ουσίες.

Ενδεχόμενη φωτιά ή έκρηξη μπορούν να προκαλέσουν σοβαρά εγκαύματα ή θάνατο.

Για την αποθήκευση καυσίμου ή εξοπλισμού με καύσιμο στο ντεπόζιτο

- Αποθηκεύετε μακριά από φούρνους, θερμάστρες, θερμαντήρες νερού ή άλλες συσκευές που χρησιμοποιούν οδηγό φλόγα ή άλλες πηγές ανάφλεξης, επειδή αυτές μπορούν να προκαλέσουν ανάφλεξη των αναθυμιάσεων του καυσίμου.

ΕΠΙΣΗΜΑΝΣΗ Αποθηκεύετε τον κινητήρα σε οριζόντια θέση (κανονική θέση λειτουργίας). Για περισσότερες οδηγίες σχετικά με την αποθήκευση, ανατρέξτε στο εγχειρίδιο του εξοπλισμού.

Σύστημα τροφοδοσίας καυσίμου

Τα καύσιμα μπορεί να ξεθυμάνουν αν μείνουν αποθηκευμένα πάνω από 30 μέρες. Όταν ξεθυμάνουν τα καύσιμα, εναποτίθενται οξέα και ρητίνες στο σύστημα καυσίμων ή σε νευραλγικά εξαρτήματα του καρμπρατέρ. Για να διατηρηθούν σε καλή κατάσταση τα καύσιμα, χρησιμοποιήστε το **προηγμένης σύνθεσης υλικό επεξεργασίας & σταθεροποίησης καυσίμων της Briggs & Stratton**, που διατίθεται οπουδήποτε πωλούνται γνήσια ανταλλακτικά της Briggs & Stratton.

Αν προσθέσετε σταθεροποιητή καυσίμων σύμφωνα με τις οδηγίες, δεν χρειάζεται αποστράγγιση της βενζίνης από τον κινητήρα. Προτού αποθηκεύσετε τον κινητήρα, αφήστε τον να λειτουργήσει για 2 λεπτά ώστε να κυκλοφορήσει ο σταθεροποιητής σε όλο το σύστημα καυσίμων.

Εάν στη βενζίνη του κινητήρα δεν έχει προστεθεί σταθεροποιητικό, τότε πρέπει να αδειάζετε τη βενζίνη σε εγκεκριμένο δοχείο. Αφήστε τον κινητήρα σε λειτουργία έως ότου σταματήσει λόγω εξάντλησης του καυσίμου. Η χρήση σταθεροποιητικού καυσίμου στο δοχείο αποθήκευσης συνιστάται ώστε το καύσιμο να διατηρείται φρέσκο.

Λάδι κινητήρα

Δεν είναι απαραίτητο να αλλάζετε το λάδι του κινητήρα, αλλά εάν το κρίνετε σκόπιμο η αλλαγή λαδιού πρέπει να γίνεται ενόσω ο κινητήρας είναι ζεστός. Ανατρέξτε στην ενότητα **Έλεγχος της στάθμης λαδιού**.

Ανίχνευση Βλαβών

Για βοήθεια, απευθυνθείτε στον τοπικό σας αντιπρόσωπο ή επισκεφθείτε την ηλεκτρονική διεύθυνση **BRIGGSandSTRATTON.com** ή καλέστε στον αριθμό **1-800-233-3723** (στις ΗΠΑ).

Προδιαγραφές

Μοντέλο: 100000	
Κυβισμός	9.93 ci (163 cc)
Εσωτερική διάμετρος	2.688 in (68,28 mm)
Διαδρομή εμβόλου	1.75 in (44,45 mm)
Χωρητικότητα λαδιού	15 oz (.44 L)
Διάκενο μπουζί	.030 in (.76 mm)
Ροπή σύσφιξης μπουζί	180 lb-in (20 Nm)
Διάκενο μεταξύ επαγωγίμου και επαγωγέως	.006 - .014 in (.15 - .36 mm)
Διάκενο βαλβίδας εισαγωγής	.004 - .008 in (.10 - .20 mm)
Διάκενο βαλβίδας εξαγωγής	.004 - .008 in (.10 - .20 mm)

Μοντέλο: 093J00	
Κυβισμός	9.15 ci (150 cc)
Εσωτερική διάμετρος	2.583 in (65,60 mm)
Διαδρομή εμβόλου	1.75 in (44,45 mm)
Χωρητικότητα λαδιού	15 oz (,44 L)
Διάκενο μπουζι	.020 in (,51 mm)
Ροπή σύσφιξης μπουζι	180 lb-in (20 Nm)
Διάκενο μεταξύ επαγωγίμου και επαγωγέως	.006 - .014 in (,15 - ,36 mm)
Διάκενο βαλβίδας εισαγωγής	.004 - .008 in (,10 - ,20 mm)
Διάκενο βαλβίδας εξαγωγής	.004 - .008 in (,10 - ,20 mm)

Η ισχύς του κινητήρα μειώνεται κατά 3,5% ανά 300 μέτρα επάνω από το επίπεδο της θάλασσας και κατά 1% ανά 5,6 °C επάνω από τους 25 °C. Ο κινητήρας λειτουργεί ικανοποιητικά σε γωνία έως 15°. Για τα επιτρεπόμενα όρια ασφαλούς λειτουργίας σε επικλινές έδαφος, ανατρέξτε στο εγχειρίδιο χρήσης του εξοπλισμού.

Ανταλλακτικά - Μοντέλο: 100000, 093J00	
Ανταλλακτικό	Αριθμός ανταλλακτικού
Φίλτρο αέρα (βλ. Εικόνα 14)	593260
Προφίλτρο φίλτρου αέρα (βλ. Εικόνα 14)	594055
Λάδι - SAE 30	100113
Βελτιωτικό και σταθεροποιητικό καυσίμου προηγμένης σύνθεσης	100117, 100120
Μπουζί με αντίσταση (Μοντέλο 100000)	594056
Μπουζί με αντίσταση (Μοντέλο 093J00)	692051
Μπουζόκλειδο	19576
Δοκιμαστής σπινθήρων	19368

Για κάθε εργασία συντήρησης και σέρβις του κινητήρα και των εξαρτημάτων του σας συνιστούμε να επισκεπτείστε εξουσιοδοτημένο αντιπρόσωπο της Briggs & Stratton.

Ονομαστικές τιμές ισχύος: Η ονομαστική τιμή της ολικής ισχύος για μεμονωμένα μοντέλα βενζινοκινητήρων επισημαίνεται σύμφωνα με τον κώδικα J1940 για τη Διαδικασία καθορισμού της ονομαστικής ισχύος και ροπή στρέψης μικρών κινητήρων της SAE (Ενωση μηχανικών οχημάτων) και έχει υπολογιστεί σύμφωνα με τον κώδικα J1995 της SAE. Οι τιμές της ροπής στρέψης προκύπτουν στις 2.600 σ.α.λ. για τους κινητήρες όπου αναγράφονται οι "σ.α.λ." στην ετικέτα και στις 3.060 σ.α.λ. για όλους τους υπόλοιπους. Οι τιμές ιπποδύναμης προκύπτουν στις 3.600 σ.α.λ. Μπορείτε να δείτε τις καμπύλες ολικής ισχύος στη διεύθυνση www.BRIGGSandSTRATTON.COM. Οι τιμές ωφέλιμης ισχύος μετρώνται με τοποθετημένη εξάτμιση και φίλτρο αέρα, ενώ οι τιμές ολικής ισχύος λαμβάνονται χωρίς αυτά τα προσαρτήματα. Η πραγματική ολική ισχύς του κινητήρα θα είναι υψηλότερη από την ωφέλιμη ισχύ και επηρεάζεται, μεταξύ άλλων παραγόντων, από τις περιβαλλοντικές συνθήκες λειτουργίας και από τις διαφορές μεταξύ των κινητήρων. Δεδομένης της ευρείας γκάμας των προϊόντων στα οποία τοποθετούνται οι κινητήρες, ο βενζινοκινητήρας ενδέχεται να μην αναπτύσσει την ονομαστική ολική ισχύ όταν χρησιμοποιείται σε συγκεκριμένο εξοπλισμό. Η διαφορά αυτή οφείλεται σε μια ποικιλία παραγόντων που περιλαμβάνει, ενδεικτικά, τα διάφορα στοιχεία του κινητήρα (φίλτρο αέρα, εξάτμιση, τροφοδότηση, ψύξη, καρμπρατέρ, αντλία καυσίμου, κλπ.), τους περιορισμούς εφαρμογής, τις περιβαλλοντικές συνθήκες λειτουργίας (θερμοκρασία, υγρασία, υψόμετρο) και τις διαφορές μεταξύ των κινητήρων. Λόγω περιορισμών στην παραγωγή και στις δυνατότητες, η Briggs & Stratton μπορεί να χρησιμοποιήσει κινητήρα υψηλότερης ονομαστικής ισχύος αντί για τον συγκεκριμένο κινητήρα.

Εγγύηση

Εγγύηση της Briggs & Stratton για τους κινητήρες

Ισχύει από Ιανουάριο 2016

Περιορισμένη Εγγύηση

Η Briggs & Stratton εγγυάται ότι, κατά τη διάρκεια της περιόδου εγγύησης που καθορίζεται παρακάτω, θα επισκευάσει ή θα αντικαταστήσει χωρίς καμία χρέωση οποιοδήποτε εξάρτημα παρουσιάζει ελαττώματα στο υλικό, στην κατασκευή ή και στα δύο. Τα έξοδα μεταφοράς για τα προϊόντα που αποστέλλονται για επισκευή ή αντικατάσταση στο πλαίσιο της παρούσας εγγύησης επιβαρύνουν τον αγοραστή. Η παρούσα εγγύηση ισχύει για τα χρονικά διαστήματα και υπό τους όρους που αναφέρονται παρακάτω. Για παροχή υπηρεσιών στο πλαίσιο της εγγύησης, εντοπίστε τον πλησιέστερο εξουσιοδοτημένο αντιπρόσωπο σέρβις στο χάρτη εντοπισμού των αντιπροσώπων μας στην ιστοσελίδα BriggsandStratton.com. Ο αγοραστής πρέπει να επικοινωνήσει με τον εξουσιοδοτημένο αντιπρόσωπο σέρβις και, στη συνέχεια, να του παρουσιάσει το προϊόν για έλεγχο και δοκιμή.

Δεν υπάρχει άλλη ρητή εγγύηση. Οι σιωπηρές εγγυήσεις, συμπεριλαμβανομένων όσων αφορούν την εμπορευσιμότητα και την καταλληλότητα για συγκεκριμένο σκοπό, περιορίζονται στην περίοδο εγγύησης που αναφέρεται παρακάτω, ή στο βαθμό που επιτρέπεται από την ισχύουσα νομοθεσία. Καμία εγγύηση δεν καλύπτει τις συμπτωματικές ή επακόλουθες ζημιές στο μέτρο που αυτό επιτρέπεται από το νόμο. Κάποιες χώρες ή πολιτείες δεν επιτρέπουν περιορισμούς ως προς τη διάρκεια μιας υποδηλούμενης εγγύησης ενώ, κάποιες χώρες ή πολιτείες, δεν επιτρέπουν τον αποκλεισμό ή τον περιορισμό των συμπτωματικών ή επακόλουθων ζημιών και, συνεπώς, ο ως άνω περιορισμός και αποκλεισμός ενδέχεται να μην εφαρμόζονται στην περίπτωση σας. Αυτή η εγγύηση σας παρέχει ειδικά νομικά δικαιώματα και, ενδεχομένως, και άλλα δικαιώματα που διαφέρουν από πολιτεία σε πολιτεία και από χώρα σε χώρα.

Βασικοί όροι εγγύησης 1, 2

Μάρκα / Τύπος προϊόντος	Χρήση από ιδιώτη	Επαγγελματική χρήση
Vanguard™ ³	36 μήνες	36 μήνες
Commercial Turf Series™, Commercial Series	24 μήνες	24 μήνες
Κινητήρες που διαθέτουν χιτώνια από χυτοσίδηρο Dura-Boret™	24 μήνες	12 μήνες
Όλοι οι άλλοι κινητήρες της Briggs & Stratton	24 μήνες	3 μήνες

¹ Αυτοί είναι οι βασικοί όροι εγγύησης που παρέχει η εταιρεία μας αλλά, κατά περίπτωση, μπορεί να υπάρχουν πρόσθετες καλύψεις οι οποίες δεν προσδιορίζονται κατά τη δημοσίευση της εγγύησης. Για τους όρους εγγύησης που ισχύουν για τον κινητήρα σας, ανατρέξτε στην ιστοσελίδα BRIGGSandSTRATTON.COM ή επικοινωνήστε με τον τοπικό εξουσιοδοτημένο αντιπρόσωπο σέρβις της Briggs & Stratton.

² Δεν υπάρχει εγγύηση για κινητήρες σε εξοπλισμό που χρησιμοποιείται για κύρια παροχή ρεύματος στη θέση ρεύματος από οργανισμό κοινής ωφελείας ή για γεννήτριες σε αναμονή που χρησιμοποιούνται για επαγγελματικούς σκοπούς. Οι κινητήρες που χρησιμοποιούνται σε αγώνες, ή σε επαγγελματικής χρήσης ή ενοικιαζόμενα αυτοκίνητα, δεν καλύπτονται από την εγγύηση.

³ Κινητήρας Vanguard εγκατεστημένος σε γεννήτριες αναμονής: 24 μήνες εγγύηση για χρήση από ιδιώτη, χωρίς εγγύηση για επαγγελματική χρήση. Κινητήρας Vanguard εγκατεστημένος σε οχήματα πολλαπλών χρήσεων: 24 μήνες εγγύηση για χρήση από ιδιώτη, 24 μήνες εγγύηση για επαγγελματική χρήση. Vanguard 3-κύλινδρος υγρόψυκτος: βλ. Πολιτική Εγγύησης της Briggs & Stratton για τους 3-κύλινδρους υγρόψυκτους κινητήρες.

⁴ Στην Αυστραλία - Τα προϊόντα μας συνοδεύονται από εγγυήσεις που δεν μπορούν να εξαιρεθούν από την Αυστραλιανή Νομοθεσία περί Προστασίας των Καταναλωτών. Δικαιούστε αντικατάσταση ή επιστροφή χρημάτων σε περίπτωση σοβαρής βλάβης και αποζημίωση σε περίπτωση οποιασδήποτε άλλης ευλόγως προβλέψιμης απώλειας ή βλάβης. Δικαιούστε επίσης επισκευή ή αντικατάσταση των προϊόντων, εάν η ποιότητα των προϊόντων είναι μη αποδεκτή, και εάν η βλάβη δεν είναι σοβαρή. Για παροχή υπηρεσιών εντός εγγύησης, εντοπίστε τον πλησιέστερο εξουσιοδοτημένο αντιπρόσωπο σέρβις στο χάρτη εντοπισμού των αντιπροσώπων μας στην ιστοσελίδα [insert website address] ή καλέστε στο 1300 274 447 ή στείλτε μας e-mail στη διεύθυνση salesenquiries@briggsandstratton.com.au, ή στείλτε μας επιστολή στη διεύθυνση Briggs & Stratton Australia Pty Ltd, 1 Moorebank Avenue, NSW, Australia, 2170.

Η περίοδος εγγύησης αρχίζει από την αρχική ημερομηνία αγοράς από τον πρώτο πελάτη λιανικής πώλησης ή επαγγελματία καταναλωτή. "Χρήση από ιδιώτη" σημαίνει προσωπική, κατ'οίκον χρήση από καταναλωτή προϊόντων λιανεμπορίου. "Επαγγελματική χρήση" σημαίνει κάθε άλλη χρήση, συμπεριλαμβανομένης της χρήσης για σκοπούς εμπορίας, παραγωγής εισοδήματος ή ενοικίασης. Εφόσον ένας κινητήρας έχει χρησιμοποιηθεί για επαγγελματικούς σκοπούς, στο πλαίσιο της παρούσας εγγύησης, θα θεωρείται ως κινητήρας επαγγελματικής χρήσης.

Φυλάξτε την απόδειξη αγοράς. Εάν δεν προσκομίσετε αποδεικτικό της αρχικής αγοράς τη στιγμή της αίτησης για επισκευή βάσει της εγγύησης, ο προσδιορισμός της περιόδου εγγύησης θα βασιστεί στην ημερομηνία κατασκευής του προϊόντος. Η δήλωση του προϊόντος δεν είναι απαραίτητη για να δικαιούστε υπηρεσίες εγγύησης για τα προϊόντα Briggs & Stratton.

Σχετικά με την εγγύησή σας

Αυτή η περιορισμένη εγγύηση καλύπτει ελαττωματικό υλικό ή/και εργασία σε σχέση με τον κινητήρα μόνο και όχι αντικατάσταση ή επιστροφή χρημάτων για το μηχάνημα πάνω στο οποίο ενδέχεται να είναι τοποθετημένος ο κινητήρας. Η τακτική συντήρηση, τα σέρβις, οι ρυθμίσεις και η κανονική φθορά δεν καλύπτονται από αυτή την εγγύηση. Παρομοίως, η εγγύηση δεν έχει εφαρμογή αν έχουν γίνει αλλαγές ή τροποποιήσεις στον κινητήρα ή αν έχει καταστεί δυσανάγνωστος ή έχει αφαιρεθεί ο αριθμός σειράς του κινητήρα. Αυτή η εγγύηση δεν καλύπτει ζημιές ή προβλήματα απόδοσης του κινητήρα που προκλήθηκαν από:

1. Τη χρήση ανταλλακτικών που δεν είναι γνήσια ανταλλακτικά Briggs & Stratton.
2. Τη λειτουργία του κινητήρα με ανεπαρκές, μολυσμένο ή λανθασμένου τύπου λάδι λίπανσης.
3. Τη χρήση μολυσμένου ή παλιού λαδιού, βενζίνης που περιέχει περισσότερο από 10% αιθανόλη ή τη χρήση εναλλακτικών καυσίμων όπως υγροποιημένο αερίου πετρελαίου ή φυσικού αερίου σε κινητήρες που δεν έχουν αρχικά

σχεδιαστεί/κατασκευαστεί από τη Briggs & Stratton για να λειτουργούν με τέτοια καύσιμα.

4. Ακαθαρσίες που μπορεί να έχουν διεισδύσει στον κινητήρα λόγω ακατάλληλης συντήρησης ή επανατοποθέτησης του φίλτρου αέρα.
5. Χτύπημα αντικειμένου με την κοπτική λεπίδα περιστροφικής μηχανής κουρέματος γρασιδιού, ή από ακατάλληλη τοποθέτηση προσαρμογών λεπίδας, φτερωτών ή άλλων διατάξεων που συνδέονται με το στροφαλοφόρο άξονα ή από υπερβολική σύσφιξη των τραπεζοειδών μάντων.
6. Σχετιζόμενα εξαρτήματα ή συγκροτήματα όπως συμπλέκτες, συστήματα γραναζιών μετάδοσης κίνησης, χειριστήρια εξοπλισμού κλιτ., τα οποία δεν παρέχονται από τη Briggs & Stratton.
7. Υπερθέρμανση λόγω υπολειμμάτων κοπής γρασιδιού, ακαθαρσιών και υπολειμμάτων ή λόγω φωλιών τρωκτικών που προκαλούν απόφραξη ή περιορισμό ροής στα πτερύγια ψύξης ή στην περιοχή σφονδύλου ή σε λειτουργία του κινητήρα χωρίς επαρκή αερισμό.
8. Υπερβολικούς κραδασμούς λόγω υπερβολικής ταχύτητας λειτουργίας, λασκαρισμένης βάσης κινητήρα, λασκαρισμένων ή εκτός ζυγοστάθμισης κοπτικών λεπίδων ή φτερωτών ή σε ακατάλληλη σύζευξη μερών του εξοπλισμού με το στροφαλοφόρο άξονα.
9. Κακή χρήση, έλλειψη τακτικής συντήρησης, αποστολή, χειρισμό ή αποθήκευση εξοπλισμού ή σε ακατάλληλη εγκατάσταση του κινητήρα.

Η παροχή υπηρεσιών εντός εγγύησης είναι διαθέσιμη μόνο μέσω των εξουσιοδοτημένων αντιπροσώπων σέρβις της Briggs & Stratton. Βρείτε τον πλησιέστερο εξουσιοδοτημένο αντιπρόσωπο σέρβις στον χάρτη αναζήτησης των αντιπροσώπων, μέσω της ιστοσελίδας μας BRIGGSandSTRATTON.COM ή καλώντας το 1-800-233-3723 (στις ΗΠΑ).

80004537 (Αναθ. Β)

Not for
Reproduction

Este manual contiene información de seguridad para advertirle sobre los peligros y riesgos asociados con el cortacésped y cómo evitarlos. También incluye instrucciones para el uso y el cuidado correctos del motor. Dado que Briggs & Stratton Corporation no sabe exactamente con qué equipo se utilizará este motor, es importante que lea atentamente estas instrucciones y las instrucciones del equipo. **Conserve estas instrucciones para poder consultarlas en el futuro.**

Nota: Los dibujos e ilustraciones que se incluyen en este manual se ofrecen únicamente como referencia y pueden diferir de su modelo en concreto. Póngase en contacto con su distribuidor si tiene preguntas que formular.

Para repuestos o para recibir asistencia técnica, registre abajo los números de modelo de motor, tipo y código junto con la fecha de compra. Estos números se encuentran en su motor (consulte la sección **Características y Controles**).

Fecha de compra	
Modelo - Tipo - Código	
Número de serie de la unidad	

Busque el código de barras 2D localizado en algunos motores. Cuando se mira con un dispositivo de lectura 2D, el código mostrará nuestro sitio web, desde donde puede acceder a información de soporte para este producto. Se aplica la velocidad de transmisión de datos. Puede que algunos países no tengan disponible información de soporte en línea.



Símbolo	Significado	Símbolo	Significado
	Riesgo de incendio.		Riesgo de explosión
	Riesgo de descarga.		Riesgo de vapores tóxicos
	Riesgo de superficies calientes		Riesgo acústico - Recomendado el uso de protección acústica para un uso prolongado.
	Riesgo de piezas despedidas - Utilice protección ocular.		Riesgo de explosión
	Riesgo de congelación		Riesgo de contragolpe
	Riesgo de amputación - piezas en movimiento		Riesgo químico
	Riesgo de calor térmico		Corrosión

Información sobre reciclado



Todo el embalaje, el aceite usado y las baterías deberán reciclarse de acuerdo con la normativa estatal aplicable.

Seguridad del usuario

Símbolo de alerta de seguridad y palabras incluidas en señales

El símbolo de alerta de seguridad se utiliza para identificar información de seguridad relacionada con riesgos que puedan provocar una lesión personal. Se utiliza una palabra de señalización (PELIGRO, ADVERTENCIA o ATENCIÓN) junto con el símbolo de alerta para indicar la probabilidad y la posible gravedad de una lesión. Además, se puede utilizar un símbolo de peligro para representar el tipo de riesgo.

PELIGRO indica un peligro que, si no se evita, **resultará en muerte o lesión grave.**

ADVERTENCIA indica un peligro que, si no se evita, **podría resultar en muerte o lesión grave.**

ATENCIÓN indica un peligro que, si no se evita, **podría resultar en lesión menor o moderada.**

AVISO indica una situación que **podría provocar daños en el producto.**

Símbolos de peligro y significados

Símbolo	Significado	Símbolo	Significado
	Información de seguridad sobre peligros que pueden provocar lesiones personales.		Lea atentamente el Manual de instrucciones antes de operar la unidad o de realizar alguna operación de servicio.

Mensajes de seguridad



ADVERTENCIA

Algunos componentes de este producto y sus accesorios relacionados contienen sustancias químicas que el estado de California sabe que causan cáncer, defectos congénitos u otros daños reproductivos. Lávese las manos después de manipular estos elementos.



ADVERTENCIA

El escape del motor de este producto contiene sustancias químicas que el estado de California sabe que causan cáncer, defectos congénitos u otros daños reproductivos.



ADVERTENCIA

Los motores Briggs & Stratton no han sido diseñados ni están destinados para su uso con: karts para diversión/recreo, vehículos todoterreno para uso en eventos deportivos (ATVs); motocicletas; productos para aviación o vehículos para uso en eventos competitivos no autorizados por Briggs & Stratton. Para información sobre productos para eventos competitivos, consulte www.briggsracing.com. Para su uso con vehículos todoterreno y side-by-side, póngase en contacto con Briggs & Stratton Engine Application Center, 1-866-927-3349. Un uso inadecuado del motor puede provocar daños graves o incluso la muerte.

AVISO

Este motor ha sido enviado por Briggs & Stratton sin aceite. Antes de arrancar el motor, asegúrese de añadir aceite según las instrucciones de este manual. Si arranca el motor sin aceite, resultará dañado, no podrá repararse y los daños no serán cubiertos por la garantía.



ADVERTENCIA



El combustible y sus vapores son extremadamente inflamables y explosivos.

El fuego o las explosiones pueden causar quemaduras graves o incluso la muerte.

Cuando añada combustible

- Apague el motor y deje que se enfríe durante al menos 2 minutos antes de retirar la tapa de llenado de combustible.
- Llene el tanque de combustible en exteriores en un área bien ventilada.
- No llene demasiado el tanque de combustible. Para permitir que el combustible se expanda, no llene el depósito por encima de la parte inferior del cuello del tanque de combustible.
- Mantenga el combustible alejado de chispas, llamas abiertas, llamas piloto, calor y otras fuentes de ignición.
- Verifique las líneas de combustible, tanque, tapa y conectores a menudo, para constatar si presentan grietas o pérdidas. Cambie si es necesario.
- Si se derrama combustible, espere hasta que se evapore para arrancar el motor.

Quando arranque el motor

- Asegúrese de que la bujía, el silenciador, la tapa de llenado de combustible y el depurador de aire (si llevara) estén colocados y fijos en su lugar.
- No encienda el motor con la bujía desmontada.
- Si el motor se ahoga, coloque el estrangulador (si llevara) en la posición abrir/marcha, OPEN/RUN, ponga el acelerador (si llevara) en rápido, FAST y gire el motor hasta que arranque.

Quando se opere el equipo

- NO incline el motor o el equipo con un ángulo que pueda ocasionar derrames de combustible.
- No use el estrangulador para detener el motor.
- Nunca arranque o haga funcionar el motor con el conjunto del filtro de aire (si llevara) o el filtro de aire (si llevara) quitados.

Quando cambie el aceite

- Si drena el aceite por el tubo de llenado de aceite superior, el tanque de combustible debe estar vacío para evitar que se produzca una fuga de combustible y pueda provocar un incendio o una explosión.

Quando se incline la unidad para una operación de mantenimiento

- Cuando realice un trabajo de mantenimiento que requiera inclinar la unidad, el tanque de combustible debe estar vacío para evitar que se filtre combustible y pueda provocar un incendio o una explosión.

Quando se transporte el equipo

- Transporte el equipo con el tanque de combustible VACÍO o con la válvula de cierre del combustible en posición CERRADA.

Al almacenar combustible o el equipo con combustible en el tanque

- Almacene lejos de hornos, cocinas, calentadores de agua u otros aparatos con piloto u otra fuente de ignición, ya que pueden prender fuego a vapores del combustible.



ADVERTENCIA

El arranque del motor crea chispas.

Las chispas pueden incendiar gases inflamables próximos.

Podría resultar en explosión e incendio.

- Si hay una pérdida de gas natural o gas PL en el área, no ponga el motor en marcha.
- No use líquidos de arranque presurizados, ya que los vapores son inflamables.



ADVERTENCIA

PELIGRO DE GAS TÓXICO. Los gases de escape del motor contienen monóxido de carbono, un gas tóxico que puede matar en cuestión de minutos. NO se puede percibir con la vista, el olfato ni el tacto. Aunque no pueda oler los gases de escape, podría estar expuesto a monóxido de carbono. Si comienza a sentirse mal, mareado o débil cuando use este producto, apáguelo y busque aire puro DE INMEDIATO. Acuda al médico. Puede que se haya intoxicado con monóxido de carbono.

- Utilice este producto EXCLUSIVAMENTE en el exterior, lejos de puertas, ventanas y respiraderos, a fin de reducir el riesgo de que el monóxido de carbono se acumule y penetre en espacios habitados.
- Instale alarmas de detección de monóxido de carbono, con batería o con alimentación eléctrica y batería de reserva, tal como se indica en las instrucciones del fabricante. Los detectores de humo no detectan el monóxido de carbono.
- NO utilice este producto en hogares, garajes, sótanos, espacios reducidos, cobertizos ni otros lugares parcialmente cerrados aunque haya ventiladores o las

puertas y las ventanas están abiertas para facilitar la ventilación. El monóxido de carbono puede acumularse rápidamente en estos espacios y perdurar ahí durante horas, aún después de que este producto se haya apagado.

- Coloque SIEMPRE el producto en la dirección del viento y dirija el tubo de escape del motor en dirección opuesta a cualquier posible espacio habitado.



ADVERTENCIA

La retracción rápida del cable de arranque (el contragolpe) tirará de su mano y su brazo hacia el motor más rápido de lo que imagina.

Puede romperse algún hueso, provocar moratones o esguinces.

- Cuando arranque el motor, tire lentamente del cable de arranque hasta que sienta resistencia y empuje rápidamente para evitar el retroceso rápido.
- Desmonte todo el equipo externo / cargas del motor antes de arrancar el motor.
- Los componentes del equipo de acoplamiento directo como (sin limitarse a ellos) cuchillas, impulsores, poleas, ruedas dentadas, etc., deben estar bien fijados.



ADVERTENCIA

Las piezas giratorias pueden tocar o enredar las manos, pies, cabello, ropa o accesorios.

Puede provocarse una amputación traumática o una grave laceración.

- Opere el equipo con las protecciones montadas.
- Mantenga las manos y los pies alejados de las piezas giratorias.
- Recójase el pelo largo y quítese las joyas.
- No utilice ropa holgada, cordones colgantes u elementos que pudieran quedar atrapados.



ADVERTENCIA

Los motores en marcha producen calor. Las piezas del motor, especialmente el silenciador, se vuelven sumamente calientes.

Se pueden producir quemaduras térmicas graves al contacto.

Los restos de suciedad combustibles, como hojas, césped, maleza, etc., pueden incendiarse.

- Deje que el silenciador, el cilindro y las aletas del motor se enfríen antes de tocarlos.
- Retire toda la suciedad del área del silenciador y del área del cilindro.
- Constituye una infracción del artículo 4442 del California Public Resource Code utilizar u operar el motor en la proximidades de terrenos boscosos o de rastrojos o que estén cubiertos de hierba a menos que el sistema de escape esté equipado con un dispositivo antichispas, tal y como se define en la Sección 4442, que además se mantenga en un buen estado de funcionamiento. Otros estados o jurisdicciones federales pueden tener normas legales similares. Para obtener una pantalla antichispas diseñada para el sistema de escape instalado en este motor, acuda al fabricante original del aparato o a un distribuidor.



ADVERTENCIA

Las chispas no deseadas pueden causar un incendio o una descarga eléctrica.

Un arranque involuntario puede ocasionar un enredo, amputaciones traumáticas, o laceración.

Riesgo de incendio

Antes de realizar ajustes o reparaciones:

- Desconecte el cable de la bujía y manténgalo alejado de la bujía.
- Desconecte el terminal negativo de la batería (sólo motores con arranque eléctrico).
- Utilice solamente las herramientas apropiadas.
- NO manipule el muelle del regulador, las varillas u otras partes para incrementar el régimen del motor.
- Las piezas de repuesto deben ser las mismas e instalarse en la misma posición que las piezas originales. Otras piezas pueden no funcionar de la misma manera, pueden dañar la unidad, y causar lesiones.
- No golpee el volante con un martillo u otro objeto sólido ya que éste puede romperse durante el funcionamiento.

Quando pruebe si hay chispas:

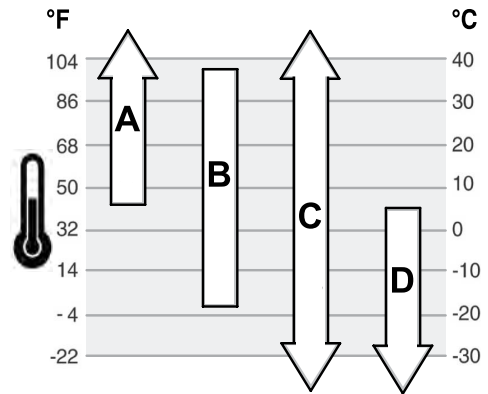
- Utilice un probador de bujías que esté homologado.
- No revise la chispa si la bujía no está en su sitio.

Características y controles

Controles del motor

Compare la ilustración (Figura: 1, 2, 3) con su motor para familiarizarse con la localización de las diversas características y los mandos.

- A. Números de identificación del motor **Modelo - Tipo - Código**
- B. Bujía
- C. Tanque de combustible y tapón
- D. Purificador de aire
- E. Manilla de la cuerda del motor de arranque
- F. Varilla indicadora de nivel
- G. Silenciador, protector del silenciador (si llevara), supresor de chispas (si llevara)
- H. Rejilla de la toma de aire
- I. Control de aceleración (si llevara)
- J. Estrangulador (si llevara)
- K. Válvula de cierre de combustible (si llevara)
- L. Interruptor de paro (si llevara)



A	SAE 30 - Por debajo de 40°F (4°C), el uso de SAE 30 se traducirá en un arranque difícil.
B	10W-30 - Por encima de 80°F (27°C), el uso de 10W-30 podrá ocasionar un aumento del consumo de aceite. Compruebe el nivel de aceite con mayor frecuencia.
C	Sintético 5W-30
D	5W-30

Símbolos de control del motor y su significado

Símbolo	Significado	Símbolo	Significado
	Velocidad del motor - FAST, rápida		Velocidad del motor - SLOW, lenta
	Velocidad del motor - STOP, parada		ON - OFF
	Arranque del motor - Estrangulador CERRADO		Arranque del motor - Estrangulador ABIERTO
	Tapa de combustible Válvula de cierre de combustible - ABIERTA		Válvula de cierre de combustible - CERRADA
	Nivel del combustible - No llenar en exceso		

Funcionamiento

Recomendaciones sobre el aceite

Capacidad de aceite: Consulte la sección *Especificaciones*.

Para obtener un rendimiento óptimo, se recomienda el uso de aceites certificados por Briggs & Stratton. Otros aceites con detergentes de alta calidad son aceptables si cuentan con la clasificación de servicio SF, SG, SH, SJ o superior. No utilice aditivos especiales.

La temperatura exterior determina la viscosidad adecuada del aceite para el motor. Use la tabla para seleccionar la mejor viscosidad para el intervalo de temperaturas exteriores que se prevea.

Comprobar el nivel de aceite

Observe la Figura: 4

Antes de añadir o comprobar el aceite

- Cerciérese de que la unidad esté nivelada.
- Limpie cualquier suciedad que exista en el área de llenado del aceite.

1. Saque la varilla medidora (A, Figura 4) y límpiela con un trapo limpio.
2. Introduzca y apriete la varilla medidora (A, Figura 4).
3. Saque la varilla y compruebe el nivel del aceite. El nivel del aceite correcto se sitúa en la parte superior del indicador de lleno (B, Figura 4) de la varilla medidora.
4. Si el nivel del aceite está bajo, añada lentamente aceite por el orificio de llenado de aceite del motor (C, Figura 4). **No llene el depósito en exceso.** Después de añadir aceite, espere un minuto y luego vuelva a revisar el nivel de aceite.
5. Introduzca de nuevo y apriete la varilla medidora (A, Figura 4).

Recomendaciones sobre combustible

El combustible debe cumplir estos requisitos:

- Gasolina en buen estado y sin plomo.
- Un mínimo de 87 octanos/87 AKI (91 RON). Para usos en grandes altitudes, véase abajo.
- También se puede utilizar gasolina con un porcentaje de hasta 10% de etanol (gasohol).

AVISO No utilice gasolinas no homologadas, como es el caso de E85. No haga mezclas con las gasolina ni realice modificaciones en el motor para hacerlo funcionar con otros combustibles. Hacer tal cosa dañaría los componentes del motor y anularía su garantía.

Para proteger el sistema de combustible de la formación de resinas, mezcle un estabilizador de combustible en el combustible. Consulte la sección **Almacenamiento**. No todos los combustibles son iguales. Si tiene problemas durante el arranque o el funcionamiento, cambie de proveedor o marca de combustible. El funcionamiento de este motor con gasolina está certificado. El sistema de control de emisiones para este motor es EM (Modificaciones de motores).

Gran altitud

A altitudes superiores a los 1.524 metros (5.000 pies), es aceptable una gasolina de 85 octanos/85 AKI (89 RON).

Para motores carburados se requiere el ajuste de gran altitud para mantener su rendimiento. Sin este ajuste, la bomba perderá rendimiento y aumentarán el consumo de combustible y las emisiones. Para información sobre el ajuste especial para gran altitud, consulte a un concesionario autorizado Briggs & Stratton. No se recomienda hacer funcionar el motor con el ajuste para grandes alturas a altitudes inferiores a los 762 metros (2.500 pies).

Para motores EFI (Inyección electrónica de combustible), no es necesario realizar un ajuste de gran altura.

Adición de combustible

Observe la figura: 5



El combustible y sus vapores son extremadamente inflamables y explosivos.

El fuego o las explosiones pueden causar quemaduras graves o incluso la muerte.

Al añadir combustible

- Apague el motor y deje que se enfríe durante al menos 2 minutos antes de retirar la tapa de llenado de combustible.
 - Llene el tanque de combustible en exteriores en un área bien ventilada.
 - No llene demasiado el tanque de combustible. Para permitir que el combustible se expanda, no llene el depósito por encima de la parte inferior del cuello del tanque de combustible.
 - Mantenga el combustible alejado de chispas, llamas directas, llamas piloto, calor y otras fuentes de ignición.
 - Revise los tubos de combustible, el tanque, la tapa y los conectores a menudo, para constatar si presentan grietas o pérdidas. Cambie si es necesario.
 - Si se derrama combustible, espere hasta que se evapore para arrancar el motor.
1. Limpie el área de la tapa del tanque de combustible. Retire la tapa del combustible.
 2. Llene el tanque de combustible (A, Figura 5) con gasolina. Para permitir que el combustible se expanda, no llene el depósito por encima de la parte inferior del cuello del tanque de combustible (B).
 3. Vuelva a instalar la tapa del combustible.

Arrancar y parar el motor

Observe la Figura: 6, 7, 8, 9

Arrancar el motor



La retracción rápida del cable de arranque (el contragolpe) tirará de su mano y su brazo hacia el motor más rápido de lo que imagina.

Puede romperse algún hueso, provocar moratones o esguinces.

- Cuando arranque el motor, tire lentamente del cable de arranque hasta que sienta resistencia y empuje rápidamente para evitar el retroceso rápido.



El combustible y sus vapores son extremadamente inflamables y explosivos.

El fuego o las explosiones pueden causar quemaduras graves o incluso la muerte.

Cuando arranque el motor

- Asegúrese de que la bujía, el silenciador, la tapa de llenado de combustible y el depurador de aire (si llevara) estén colocados y fijos en su lugar.
- No encienda el motor con la bujía desmontada.
- Si el motor se ahoga, coloque el estrangulador (si llevara) en la posición abrir/marcha, OPEN/RUN, ponga el acelerador (si llevara) en rápido, FAST y gire el motor hasta que arranque.



PELIGRO DE GAS TÓXICO. Los gases de escape del motor contienen monóxido de carbono, un gas tóxico que puede matar en cuestión de minutos. **NO se puede percibir con la vista, el olfato ni el tacto. Aunque no pueda oler los gases de escape, podría estar expuesto a monóxido de carbono. Si comienza a sentirse mal, mareado o débil cuando use este producto, apáguelo y salga a respirar aire puro DE INMEDIATO. Acuda al médico. Puede que se haya intoxicado con monóxido de carbono.**

- Utilice este producto EXCLUSIVAMENTE en el exterior, lejos de puertas, ventanas y respiraderos, a fin de reducir el riesgo de que el monóxido de carbono se acumule y penetre en espacios habitados.

- Instale alarmas de detección de monóxido de carbono, con batería o con alimentación eléctrica y batería de reserva, tal como se indica en las instrucciones del fabricante. Los detectores de humo no detectan el monóxido de carbono.
- NO utilice este producto en hogares, garajes, sótanos, espacios reducidos, cobertizos ni otros lugares parcialmente cerrados aunque haya ventiladores o las puertas y las ventanas están abiertas para facilitar la ventilación. El monóxido de carbono puede acumularse rápidamente en estos espacios y perdurar ahí durante horas, aún después de que este producto se haya apagado.
- Coloque SIEMPRE el producto en la dirección del viento y dirija el tubo de escape del motor en dirección opuesta a cualquier posible espacio habitado.

AVISO Este motor ha sido enviado por Briggs & Stratton sin aceite. Antes de arrancar el motor, asegúrese de añadir aceite según las instrucciones de este manual. Si arranca el motor sin aceite, resultará dañado, no podrá repararse y los daños no serán cubiertos por la garantía.

Determine el sistema de arranque

Antes de arrancar el motor deberá determinar el tipo de sistema de arranque que incorpora su modelo. Su motor tendrá uno de los siguientes tipos.

- **Sistema ReadyStart®:** Este sistema incluye un estrangulador automático controlado mediante temperatura. No dispone de un estrangulador manual o un cebador.
- **Sistema de estrangulador:** Este sistema lleva un estrangulador para arrancar en bajas temperaturas. Algunos modelos tienen un control de estrangulador separado, mientras que otros presentan una combinación de control del estrangulador/acelerador. Este tipo no tiene cebador.

Para arrancar el motor, siga las instrucciones para su tipo de sistema de arranque.

Nota: El equipo puede llevar controles remotos. Consulte el manual del equipo para conocer la ubicación y el funcionamiento de los controles remotos.

Sistema ReadyStart®

1. Compruebe el aceite. Consulte la sección **Comprobar el nivel del aceite**.
2. Asegúrese de que los controles de mando del equipo, si llevara, estén desembagados.
3. Ponga la válvula de cierre de combustible (A, Figura 6), si llevara, en posición OPEN, abierta.
4. Mueva el control de aceleración (B, Figura 6), si llevara, a la posición rápido, FAST. Haga funcionar el motor en posición rápido, FAST.
5. Ponga el interruptor de paro (D, Figura 7), si llevara, en posición de arranque, ON.
6. Si el equipo lleva una palanca de parada del motor (C, Figura 8), sosténgala contra el manillar.
7. **Arranque de rebobinado, si llevara:** Sostenga firmemente la manilla del cable del motor de arranque (G, Figura 6). Tire de la manilla del cable del motor de arranque lentamente hasta que sienta resistencia, luego tire rápidamente.



La retracción rápida del cable del motor de arranque (retroceso) tirará de su mano y brazo hacia el motor más rápido de lo que imagina. Puede romperse algún hueso, provocar moratones o esguinces. Cuando arranque el motor, tire lentamente del cable de arranque hasta que sienta resistencia y empuje rápidamente para evitar el retroceso rápido.

8. **Arranque eléctrico, si llevara:** Ponga el interruptor de encendido eléctrico en posición ON/START (encendido/arranque).

AVISO Para prolongar la vida del arranque, utilice ciclos de arranque cortos (máximo de cinco segundos). Espere un minuto entre ciclos de arranque.

Nota: Si el motor no arranca tras varios intentos repetidos, acceda a **BRIGGSandSTRATTON.com** o llame al número **1-800-233-3723** (en EE.UU).

Sistema del estrangulador

1. Compruebe el aceite. Consulte la sección **Comprobar el nivel del aceite**.
2. Asegúrese de que los controles de mando del equipo, si llevara, estén desembagados.
3. Ponga la válvula de cierre de combustible (A, Figura 6), si llevara, en posición OPEN, abierta.
4. Mueva el control de aceleración (B, Figura 6), si llevara, a la posición rápido, FAST. Haga funcionar el motor en posición rápido, FAST.
5. Mueva el control del estrangulador (F, Figura 9), a la posición cerrado, CLOSED.

Nota: Normalmente no es necesario estrangular el motor cuando se vuelve a arrancar un motor caliente.

6. Ponga el interruptor de paro (D, Figura 9), si llevara, en posición de arranque, ON.
7. Si el equipo lleva una palanca de parada del motor (C, Figura 8), sosténgala contra el manillar.
8. **Arranque de rebobinado, si llevara:** Sostenga firmemente la manilla del cable del motor de arranque (G, Figura 6). Tire de la manilla del cable del motor de arranque lentamente hasta que sienta resistencia, luego tire rápidamente.



ADVERTENCIA

La retracción rápida del cable del motor de arranque (retroceso) tirará de su mano y brazo hacia el motor más rápido de lo que imagina. Puede romperse algún hueso, provocar moratones o esguinces. Cuando arranque el motor, tire lentamente del cable de arranque hasta que sienta resistencia y empuje rápidamente para evitar el retroceso rápido.

9. **Arranque eléctrico, si llevara:** Ponga el interruptor de encendido eléctrico en posición ON/START (encendido/arranque).

AVISO Para prolongar la vida del arranque, utilice ciclos de arranque cortos (máximo de cinco segundos). Espere un minuto entre ciclos de arranque.

10. Según se va calentando el motor, mueva el control del estrangulador (F, Figura 9) a posición de abierto, OPEN / RUN.

Nota: Si el motor no arranca tras varios intentos repetidos, contacte con su concesionario local, acceda a BRIGGSandSTRATTON.com o llame al 1-800-233-3723 (en EE.UU.).

Parar el motor



ADVERTENCIA



El combustible y sus vapores son extremadamente inflamables y explosivos.

El fuego o las explosiones pueden causar quemaduras graves o incluso la muerte.

- No cebe el carburador, si llevara, para detener el motor.
1. **Palanca de paro del motor, si llevara:** Suelte la palanca de paro del motor (E, Figura 8).
Interruptor de paro, si llevara: Ponga el interruptor de paro (D, Figura 7, 9) en posición OFF.
Control de aceleración, si llevara: Ponga el control de aceleración (B, Figura 6) en posición STOP, parada.
Llave de arranque eléctrico, si llevara: Ponga la llave de arranque eléctrico en posición de desconexión o parada, OFF/STOP. Saque la llave y guárdela en un lugar seguro lejos del alcance de los niños.
 2. Una vez parado el motor, ponga la válvula de cierre del combustible (A, Figura 6), si llevara, en posición CLOSED, cerrada.

Mantenimiento

AVISO Si el motor se inclina durante el mantenimiento, el tanque de combustible debe vaciarse y el lateral de la bujía debe estar en vertical. Si no se vacía el tanque de gasolina y el motor se inclina en cualquier otra dirección, es posible que resulte difícil arrancarlo ya que probablemente el aceite o el combustible habrán ensuciado el filtro del aire y/o la bujía.



ADVERTENCIA

Cuando se realice una operación de mantenimiento que requiera inclinar la unidad, el tanque, si está montado en el motor, debe estar vacío o puede que se filtre combustible y que cause un incendio o una explosión.

Se recomienda consultar con un concesionario de servicio autorizado de Briggs & Stratton para realizar todo el mantenimiento y el servicio del motor y de sus piezas.

AVISO Todos los componentes utilizados para la construcción de este motor deben estar montados para una operación correcta.



ADVERTENCIA



Las chispas no deseadas pueden causar un incendio o una descarga eléctrica.

Un arranque involuntario puede ocasionar un enredo, amputaciones traumáticas, o laceración.

Riesgo de incendio.

Antes de realizar ajustes o reparaciones:

- Desconecte el cable de la bujía y manténgalo alejado de la bujía.
- Desmonte el bloque de batería de la bandeja de la batería del motor. En algunos casos el bloque de batería actúa como la llave del equipo.
- Utilice solamente las herramientas apropiadas.
- NO manipule el muelle del regulador, las varillas u otras partes para incrementar el régimen del motor.
- Las piezas de repuesto deben ser las mismas e instalarse en la misma posición que las piezas originales. Otras piezas pueden no funcionar de la misma manera, pueden dañar la unidad, y pueden causar lesiones.
- No golpee el volante con un martillo o un objeto sólido ya que éste puede romperse durante el funcionamiento.

Cuando se revise la bujía:

- Utilice un probador de bujías que esté homologado.
- No revise la chispa si la bujía no está en su sitio.

Servicio de control de emisiones

El mantenimiento, reemplazo o reparación de los dispositivos y sistemas de control de emisiones pueden ser realizados por cualquier establecimiento o persona que repare motores todo terreno. Sin embargo, para obtener servicio de control de emisiones "sin cargo alguno", esta operación debe ser realizada por un distribuidor autorizado por la fábrica. Consulte la garantía del control de emisiones.

Programa de mantenimiento

Antes de cada uso
<ul style="list-style-type: none">• Comprobar el nivel del aceite del motor• Limpiar el área alrededor del silenciador y los controles• Limpiar la rejilla de la toma de aire
Cada 25 horas o anualmente
<ul style="list-style-type: none">• Limpiar el filtro del aire ¹• Limpiar el prefiltro, si llevara
Cada 50 horas o anualmente
<ul style="list-style-type: none">• Realizar el mantenimiento del sistema de escape
Anualmente
<ul style="list-style-type: none">• Cambiar la bujía• Cambiar el filtro de aire• Cambiar el prefiltro, si llevara• Realizar el mantenimiento del sistema de refrigeración ¹

¹ Limpiar más a menudo en condiciones de mucho polvo o con partículas suspendidas.

Carburador y velocidad del motor

No ajuste la velocidad del carburador ni del motor. El carburador ha sido ajustado con valores de fábrica para que pueda funcionar de un modo eficaz en la mayoría de las condiciones. NO manipule el muelle del regulador, las varillas u otras piezas para incrementar el régimen del motor. Si necesitara algún ajuste, contacte con un Distribuidor autorizado Briggs & Stratton para el servicio.

AVISO El fabricante del equipo especifica la velocidad del máxima del motor instalado en el equipo. **No exceda** esta velocidad. Si no sabe cuál es la velocidad máxima del motor, o cómo se ha ajustado ésta en fábrica, contacte con un concesionario autorizado Briggs & Stratton para solicitar ayuda. Para una operación segura y correcta el equipo, la velocidad del motor debe ser ajustada solo por un técnico de servicio cualificado.

Revisar la bujía

Consulte la Figura: 10

Compruebe la distancia entre electrodos (A, Figura 10) con un calibrador de alambre (B). Si fuera necesario, reajuste la distancia entre electrodos. Monte la bujía y apriétela al par recomendado. Para información sobre el ajuste de la distancia o el par de apriete, consulte la sección **Especificaciones**.

Nota: NOTA: En algunas áreas, las leyes locales requieren el uso de una bujía con resistencia para suprimir señales de encendido. Si un motor vino originalmente equipado con una bujía con resistencia, asegúrese de usar el mismo tipo de bujía cuando la vaya a cambiar.

Remoción del sistema de escape



ADVERTENCIA

Los motores en marcha producen calor. Las piezas del motor, especialmente el silenciador, se vuelven sumamente calientes.

Se pueden producir quemaduras térmicas graves al contacto.

Detritos de combustibles, tales como hojas, césped, maleza, etc., pueden incendiarse.

- Deje que el silenciador, el cilindro y las aletas del motor se enfríen antes de tocarlos.
- Retire toda la suciedad del área del silenciador y del área del cilindro.
- Constituye una infracción del artículo 4442 del California Public Resource Code utilizar u operar el motor en la proximidades de terrenos boscosos o de rastrojos o que estén cubiertos de hierba a menos que el sistema de escape esté equipado con un dispositivo antichispas, tal y como se define en la Sección 4442, que además se mantenga en un buen estado de funcionamiento. Otros estados o jurisdicciones federales pueden tener normas legales similares. Para obtener una pantalla antichispas diseñada para el sistema de escape instalado en este motor, acuda al fabricante original del aparato o a un distribuidor.

Retire toda la suciedad acumulada del área del silenciador y inspeccione el silenciador por si presenta fisuras, corrosión u otros daños. Retire la pantalla antichispas, si está instalada, e inspeccione si presenta daños o acumula carbonilla. Si están dañados, monte los repuestos antes de operar la unidad.



ADVERTENCIA

Las piezas de reemplazo deben ser las mismas e instalarse en la misma posición que las piezas originales. Otras piezas pueden no funcionar de la misma manera, pueden dañar la unidad, y pueden causar lesiones.

Cambio del aceite del motor

Observe la Figura: 11, 12, 13



ADVERTENCIA

El combustible y sus vapores son extremadamente inflamables y explosivos.

El fuego o las explosiones pueden causar quemaduras graves o incluso la muerte.

Los motores en marcha producen calor. Las piezas del motor, especialmente el silenciador, se vuelven sumamente calientes.

Se pueden producir quemaduras térmicas graves al contacto.

- Cuando se drene el aceite por el tubo de llenado, el tanque de combustible debe estar vacío para evitar que se filtre combustible y pueda provocar un incendio o una explosión.
- Deje que el silenciador, el cilindro y las aletas del motor se enfríen antes de tocarlos.

Revise el aceite y añada según necesidades. Consulte la sección Comprobar y añadir aceite. No se requiere un cambio de aceite, pero si desea cambiarlo, realice las siguientes operaciones.

El aceite usado es un producto de desecho peligroso y debe eliminarse de un modo correcto. No lo tire a un cubo de residuos domésticos. Pregunte a las autoridades locales, a un centro de mantenimiento o a un distribuidor dónde existen instalaciones para la eliminación/reciclaje de estos residuos.

Extracción del aceite

Deberá drenarse el aceite por la parte superior del tubo de llenado.

1. Con el motor apagado pero todavía caliente, desconecte el cable de la bujía (D, Figura 11) y manténgalo alejado de la bujía (E).
2. Saque la varilla medidora (A, Figura 12).
3. Si drena el aceite por el tubo de llenado de aceite superior (C, Figura 13), mantenga en posición recta el extremo de la bujía (E). Drene el aceite en un recipiente aprobado para este fin.



ADVERTENCIA

Cuando se drene el aceite por el tubo de llenado, el tanque de combustible debe estar vacío para evitar que se filtre combustible y pueda provocar un incendio o una explosión. Para vaciar el tanque de combustible, mantenga en funcionamiento el motor hasta que se detenga por falta de combustible.

Adición de aceite

- Cerciórese de que la unidad esté nivelada.
 - Limpie cualquier suciedad del área de llenado del aceite.
 - Consulte la sección **Especificaciones** para ver la capacidad de almacenamiento del aceite.
1. Saque la varilla medidora (A, Figura 12) y límpiela con un paño limpio.
 2. Vierta lentamente aceite por el orificio de llenado de aceite del motor (C, Figura 12). **No llene el depósito en exceso.** Después de añadir aceite, espere un minuto y luego compruebe el nivel de aceite.
 3. Coloque y apriete la varilla medidora (A, Figura 12).
 4. Saque la varilla y compruebe el nivel del aceite. El nivel de aceite correcto se indica en la parte superior de la señal indicadora de lleno (B, Figura 12) de la varilla.
 5. Coloque de nuevo la varilla medidora y apriétela (A, Figura 12).
 6. Conecte el cable de la bujía (D, Figura 11) a la bujía (E).

Mantenimiento del filtro de aire

Observe la Figura: 14



ADVERTENCIA

El combustible y sus vapores son extremadamente inflamables y explosivos.

El fuego o las explosiones pueden causar quemaduras graves o incluso la muerte.

- Nunca arranque o haga funcionar el motor con el conjunto del depurador de aire (si llevara) o el filtro de aire (si llevara) quitados.

AVISO No utilice aire presurizado o disolventes para limpiar el filtro. El aire presurizado puede dañar el filtro y los disolventes lo disolverán.

Consulte la sección **Programa de mantenimiento** para ver los requisitos de mantenimiento.

Filtro de aire de papel

1. Abra la tapa (B, Figura 14).
2. Retire la tapa del filtro (C, Figura 14).
3. Saque el prefiltro (E, Figura 14), si llevara, del filtro. Para quitar en lo posible la suciedad, golpee suavemente el filtro contra una superficie dura. Si el filtro está excesivamente sucio, cámbielo por uno nuevo.
4. Lave el prefiltro con detergente líquido y agua. Deje después que se seque bien. **No engrase el prefiltro.**
5. Monte el prefiltro seco, si llevara, en el filtro.
6. Monte el filtro (C, Figura 14).
7. Cierre la tapa (B, Figura 14).

Remoción del Sistema de refrigeración



ADVERTENCIA

Los motores en marcha producen calor. Las piezas del motor, especialmente el silenciador, se vuelven sumamente calientes.

Se pueden producir quemaduras térmicas graves al contacto.

Los restos de suciedad combustibles, como hojas, césped, maleza, etc., pueden incendiarse.

- Deje que el silenciador, el cilindro y las aletas del motor se enfríen antes de tocarlos.
- Retire toda la suciedad del área del silenciador y del área del cilindro.

AVISO No utilice agua para limpiar el motor. El agua puede contaminar el sistema de combustible. Utilice un cepillo o un paño seco para limpiar el motor.

Este es un motor refrigerado por aire. La suciedad o los detritos pueden restringir el flujo de aire y provocar el sobrecalentamiento del motor, reduciendo su rendimiento y acortando su vida útil.

1. Utilice un cepillo o un paño seco para eliminar los restos de suciedad de la rejilla de la toma de aire.
2. Mantenga las conexiones, el resorte y los controles limpios.
3. Mantenga el área alrededor del silenciador y detrás de él libre de residuos combustibles.
4. Asegúrese de que no haya suciedad ni residuos en las aletas de refrigeración de aceite.

Tras un periodo de tiempo puede acumularse suciedad en las aletas de refrigeración del cilindro y provocar el sobrecalentamiento del motor. Estos restos de suciedad no pueden eliminarse sin desmontar parcialmente el motor. Pida a un concesionario autorizado de Briggs & Stratton que revise y limpie el sistema de refrigeración por aire tal como se recomienda en el **Programa de mantenimiento**.

Almacenamiento



ADVERTENCIA

El combustible y sus vapores son extremadamente inflamables y explosivos.

El fuego o las explosiones pueden causar quemaduras graves o incluso la muerte.

Al almacenar combustible o el equipo con combustible en el tanque

- Almacene lejos de hornos, cocinas, calentadores de agua u otros aparatos con piloto u otra fuente de ignición, ya que pueden prender fuego a vapores del combustible.

AVISO Almacene el motor nivelado (posición de funcionamiento normal). Para más información sobre su almacenamiento, consulte el manual del equipo.

Sistema de combustible

El combustible puede haberse pasado si se ha guardado durante más de 30 días. El combustible pasado provoca la formación de residuos ácidos y de carbonilla en el sistema de combustible y en los componentes básicos del carburador. Para mantener el combustible en buenas condiciones, utilice **estabilizador de combustible Briggs & Stratton Advanced Formula Fuel Treatment & Stabilizer**, disponible donde se vendan repuestos originales Briggs & Stratton.

No es necesario vaciar el motor de gasolina si se añade estabilizador de combustible conforme a las instrucciones. Haga funcionar el motor durante 2 minutos para que el estabilizador circule por el sistema de combustible antes del almacenamiento.

Si la gasolina del motor no se ha tratado con un estabilizador de combustible, debe drenarse en un contenedor aprobado para tal fin. Haga funcionar el motor hasta que se detenga por falta de combustible. Para mantener la frescura de la gasolina, se recomienda añadir estabilizador en el recipiente.

Aceite del motor

No es necesario cambiar el aceite, pero, si desea hacerlo, hágalo cuando el motor esté caliente. Consulte la sección **Cambio del aceite del motor**.

Solución de problemas

Si necesita ayuda, póngase en contacto con su concesionario local, acceda a **BRIGGSandSTRATTON.com** o llame al número **1-800-233-3723** (en EE.UU.).

Especificaciones

Modelo: 100000	
Cilindrada	9.93 ci (163 cc)
Diámetro	2.688 in (68,28 mm)
Carrera	1.75 in (44,45 mm)
Capacidad de aceite	15 oz (,44 L)
Abertura de la bujía	.030 in (,76 mm)
Torsión de la bujía	180 lb-in (20 Nm)
Entrehierro Inducido	.006 - .014 in (,15 - ,36 mm)
Holgura de la válvula de admisión	.004 - .008 in (,10 - ,20 mm)
Holgura de la válvula de escape	.004 - .008 in (,10 - ,20 mm)

Modelo: 093J00	
Cilindrada	9.15 ci (150 cc)
Diámetro	2.583 in (65,60 mm)
Carrera	1.75 in (44,45 mm)
Capacidad de aceite	15 oz (,44 L)
Abertura de la bujía	.020 in (,51 mm)
Torsión de la bujía	180 lb-in (20 Nm)
Entrehierro Inducido	.006 - .014 in (,15 - ,36 mm)
Holgura de la válvula de admisión	.004 - .008 in (,10 - ,20 mm)
Holgura de la válvula de escape	.004 - .008 in (,10 - ,20 mm)

Específicamente, la potencia del motor se reducirá un 3,5% por cada 300 metros (1.000 pies) de altitud sobre el nivel del mar y un 1% por cada 5,6°C (10°F) sobre los 25°C (77°F). El motor funcionará de manera satisfactoria a un ángulo de hasta 15°. Consulte el manual de instrucciones del equipo para ver los límites operativos permisibles y seguros en pendientes.

Piezas de servicio - Modelo: 100000, 093J00	
Pieza de servicio	Número de pieza
Filtro de aire (ver Figura 14)	593260
Filtro de aire, prefiltro (ver Figura 14)	594055
Aceite - SAE 30	100113
Advanced Formula Fuel Treatment and Stabilizer	100117, 100120
Bujía de resistor (Modelo 100000)	594056
Bujía de resistor (Modelo 093J00)	692051
Llave para bujías	19576
Supresor de chispas	19368

Se recomienda consultar con un concesionario de servicio autorizado de Briggs & Stratton para realizar todo el mantenimiento y el servicio del motor y de sus piezas.

Potencia nominal: El valor de potencia bruta nominal de cada modelo de motor de gasolina está indicado en una etiqueta conforme al código J1940, Procedimiento de valoración de potencia y par de torsión para motores pequeños, de la Society of Automotive Engineers (Sociedad de Ingenieros de Automoción, SAE) y se ajusta conforme al código SAE J1995. Los valores de par de torsión se obtienen a 2600 RPM para los motores con indicación de "rpm" en la etiqueta y a 3060 RPM para todos los demás; los valores de potencia se obtienen a 3600 RPM. Las curvas de potencia bruta se pueden ver en www.BRIGGSandSTRATTON.COM. Los valores de potencia neta se obtienen con el escape y filtro de aire instalados, mientras que los valores de potencia bruta se obtienen sin estos elementos. La potencia bruta real del motor es superior a la potencia neta del motor y depende, entre otros factores, de las condiciones ambientales de uso y de las variaciones entre distintos motores del mismo modelo. Dada la amplia variedad de productos que utilizan nuestros motores, es posible que el motor de gasolina no desarrolle la potencia bruta nominal en determinados equipos. Esta diferencia se debe a los siguientes factores, entre otros: variedad de componentes del motor (filtro de aire, escape, carga, refrigeración, carburador, bomba de combustible, etc.), limitaciones de la aplicación, condiciones ambientales de uso (temperatura, humedad, altitud) y variaciones entre distintos motores de un mismo modelo. Debido a limitaciones de fabricación y capacidad, Briggs & Stratton puede sustituir un motor de una potencia nominal mayor por este motor.

Garantía

Garantía de los motores Briggs & Stratton

Desde enero de 2016

Garantía limitada

Briggs & Stratton garantiza que, durante el periodo de garantía especificado más abajo, reparará o reemplazará cualquier pieza con defectos de material o fabricación de manera gratuita. Los costos de transporte para el producto enviado para reparaciones o reemplazo bajo esta garantía deben ser cubiertos por el comprador. Esta garantía está vigente y está sujeta a los periodos y a las condiciones indicados a continuación. Para recurrir al servicio en garantía, busque el servicio técnico autorizado más cercano en el mapa localizador de distribuidores que hay disponible en www.BRIGGSandSTRATTON.com. El comprador debe contactar al concesionario de servicio autorizado y después poner el producto a disposición del concesionario de servicio autorizado para someterlo a inspecciones y pruebas.

No existe otra garantía expresa. Las garantías implícitas, inclusive aquellas de comerciabilidad y de idoneidad para un propósito en particular, se limitan al periodo de garantía expresado abajo, o hasta los límites permitidos por la ley. Se excluyen las responsabilidades por daños incidentales o directos en la medida en la que tal exclusión esté permitida por la ley. Algunos estados o países no permiten limitaciones en cuanto a la duración de una garantía implícita, ni permiten la exclusión o limitación de daños incidentales o directos, por lo que la limitación y la exclusión anteriores pueden no aplicar para usted. Esta garantía le otorga derechos legales específicos; también podría tener otros que varían según el estado o el país ⁴.

Términos de la garantía estándar ^{1, 2}

Marca / Nombre del producto	Uso particular	Uso comercial
Vanguard™ ³	36 meses	36 meses
Commercial Turf Series™ ; Serie comercial	24 meses	24 meses
Motores con camisa de cilindro de fundición Dura-Bore™	24 meses	12 meses
Resto de motores Briggs & Stratton	24 meses	3 meses

¹ Estos son los términos de nuestra garantía estándar, pero en algunos casos puede haber cobertura de garantía adicional no determinada en el momento de la publicación. Para ver la lista de términos actuales de la garantía para su motor, acceda a BRIGGSandSTRATTON.com o contacte con su Distribuidor autorizado Briggs & Stratton.

² No están cubiertos por la garantía los motores montados en equipo utilizado para suministrar energía en lugar de un servicio o para generadores de reserva utilizados para fines comerciales. Los motores utilizados en carreras deportivas o pistas profesionales o para el alquiler no están cubiertos por la garantía.

³ Vanguard montado en generadores de reserva: 24 meses de uso por consumidor, no uso comercial en garantía. Vanguard montado en vehículos industriales: 24 meses de uso consumidor, 24 meses de uso comercial. Vanguard 3 cilindros de refrigeración líquida: ver póliza de garantía del motor 3/LC Briggs & Stratton.

⁴ En Australia, nuestros productos están cubiertos por garantías ineludibles de acuerdo con la legislación sobre consumo de este país. Usted tiene derecho a recibir un reemplazo o reembolso si ocurre una avería mayor y a recibir una compensación por cualquier otro daño o pérdida razonablemente predecible. Asimismo, si la vería no es grave, tiene derecho a que se reparen o reemplacen los productos si no tienen una calidad aceptable. Para el servicio de garantía, busque el distribuidor de servicio autorizado más cercano en el mapa localizador de distribuidores en BRIGGSandSTRATTON.com, llame para ello al 1300 274 447, o envíe un correo electrónico u ordinario a salesenquires@briggsandstratton.com.au, Briggs & Stratton Australia Pty Ltd, 1 Moorebank Avenue, NSW, Australia, 2170.

El periodo de garantía comienza en la fecha de compra original del primer usuario minorista o comercial. «Uso particular» significa uso doméstico residencial personal por un consumidor minorista. «Uso comercial» significa los demás usos, lo que incluye el uso para propósitos comerciales, generar ingresos o alquiler. Una vez que el motor haya sido utilizado para uso profesional, será considerado como motor de uso profesional con respecto a esta garantía.

Conserve su comprobante de compra. Si no proporciona un comprobante de la fecha de compra original al momento de solicitar servicio bajo garantía, se considerará la fecha de fabricación del producto para determinar el periodo de garantía. No se requiere registrar el producto para obtener servicio bajo garantía para los productos de Briggs & Stratton.

Acerca de la garantía

Esta garantía cubre únicamente motores con material y/o mano de obra defectuosos, y no reemplazará ni reembolsará el equipo en el que esté montado el motor. El mantenimiento rutinario, las puestas a punto, el ajuste o el desgaste normal no están cubiertos por esta garantía. Del mismo modo, la garantía no es aplicable si el motor ha sido alterado o modificado o si el número de serie del motor ha sido borrado o eliminado. Esta garantía no cubre daños al motor o problemas de rendimiento provocados por:

1. El uso de repuestos no originales de Briggs & Stratton;
2. El funcionamiento del motor con aceite lubricante insuficiente, contaminado o del tipo incorrecto;
3. El uso de combustible contaminado o pasado, o gasolina formulada con más del 10% de etanol, o el uso de combustibles alternativos como gas de petróleo licuado o gas natural en motores no diseñados o fabricados originalmente por Briggs & Stratton para operar con tales combustibles;
4. Suciedad en el motor acumulada por un mantenimiento o un montaje inadecuados del filtro de aire;
5. El impacto de un objeto contra la cuchilla de una cortadora de césped rotativa, un montaje flojo o incorrecto de adaptadores de la cuchilla, impulsores u otros dispositivos acoplados al cigüeñal, o un apriete excesivo de la correa en V;
6. Piezas o conjuntos asociados tales como embragues, transmisiones, mandos del equipo, etc., no suministrados por Briggs & Stratton;
7. El sobrecalentamiento causado por los recortes de hierba, la suciedad o la presencia de nidos de roedores que taponan u obstruyen las aletas de refrigeración o la zona del volante, o por hacer funcionar el motor sin una ventilación suficiente;
8. Unas vibraciones excesivas debidas a un exceso de velocidad, a un montaje del motor flojo, cuchillas o impulsores desequilibrados o flojos, o el acoplamiento incorrecto de componentes del equipo al cigüeñal;
9. Un uso incorrecto, falta de mantenimiento rutinario, transporte, manipulación o almacenamiento del equipo, o un montaje incorrecto del motor.

El servicio bajo garantía está disponible únicamente en los concesionarios de servicio autorizados Briggs & Stratton. Localice su concesionario de servicio autorizado más cercano en nuestro mapa localizador en BRIGGSandSTRATTON.COM o llame al número 1-800-233-3723 (in USA).

80004537 (Rev.B)

Tämän käsikirjan sisältämien turvallisuutta koskevien tietojen tarkoituksena on kertoa moottoriin liittyvistä vaaroista ja riskeistä sekä siitä, miten niitä vältetään. Käsikirja sisältää myös ohjeet moottorin oikeaa käyttöä ja huoltoa varten. Koska Briggs & Stratton ei välttämättä tiedä, minkä laitteen voimanlähteenä tätä moottoria käytetään, on tärkeää, että luet ja ymmärrät sekä nämä ohjeet että sitä laitetta koskevat ohjeet, jota tällä moottorilla käytetään. **Säilytä nämä alkuperäiset ohjeet tulevaa tarvetta varten.**

Huomio: Tämän ohjekirjan kuvat ja kuvitus ovat ainoastaan viitteellisiä. Ne voivat poiketa omasta mallistasi. Ota yhteys paikalliseen jälleenmyyjäsi, jos sinulla on kysymyksiä.

Saadaksesi varaosia tai teknistä apua, kirjoita moottorin malli, tyyppi ja koodinumerot sekä ostopäivä tähän. Nämä numerot löytyvät moottorista (katso kohta **Toiminnot ja hallintalaitteet**).

Ostopäivä	
Moottorin malli - Tyyppi - Varustelutaso	
Moottorin sarjanumero	

Etsi 2D-viivakoodi, joka on kiinnitetty joihinkin moottoreihin. 2D-lukulaitteella luettu koodi johtaa verkkosivullemme, missä voit tutustua tämän tuotteen tukitietoihin. Palvelusta veloitetaan datasiirtomaksu. Tukitietoja ei välttämättä ole saatavilla kaikkien maiden verkkosivuilla.



Kierrätysinformaatio

		Kaikki pakkausmateriaalit, käytetty öljy ja akut tulee kierrättää yleisten kierrätysohjeiden mukaisesti.
--	--	--

Käyttäjän turvallisuus

Varoitusmerkki ja varoitussanat

Hälytysmerkkiä käytetään osoittamaan turvallisuustietoja, joiden noudattamatta jättäminen voi aiheuttaa loukkaantumisen. Huomiosanaa (VAARA, VAROITUS tai HUOMIO) käytetään varoitusmerkin kanssa osoittamaan loukkaantumisen todennäköisyyttä ja vakavuuden astetta. Varoitusmerkkiä voidaan lisäksi käyttää edustamaan vaaran tyyppiä.

VAARA tarkoittaa vaaraa, joka toteutuessaan johtaa kuolemaan tai vakavaan vammaan.

VAROITUS tarkoittaa vaaraa, joka toteutuessaan saattaa johtaa kuolemaan tai vakavaan vammaan.

HUOMIO tarkoittaa vaaraa, joka toteutuessaan saattaa aiheuttaa lievän tai kohtalaisen vamman.

HUOMAUTUS tarkoittaa tilannetta, jossa laite voi vahingoittua.

Varoitusmerkit ja niiden selitykset

Symboli	Merkitys	Symboli	Merkitys
	Turvallisuustietoja vaaroista, jotka voivat johtaa henkilövahinkoihin.		Lue ja ymmärrä Käyttäjän käsikirja ennen laitteen käyttöä tai huoltoa.
	Tulipalon vaara		Räjähdysvaara

Symboli	Merkitys	Symboli	Merkitys
	Iskun vaara		Myrkyllisten kaasujen vaara
	Kuumien pintojen vaara		Meluvaara - kuulosuojainten käyttö suositeltavaa pitkäaikaisessa käytössä.
	Lentävän esineen vaara - käytä suojalaseja.		Räjähdysvaara
	Paleltumavaara		Takapotkun vaara
	Amputaatiovaara - liikkuvia osia		Kemiallinen vaara
	Lämpövaara		Syövyttävä

Turvallisuusviestit



VAROITUS

Tämän tuotteen tietty osat ja varusteet sisältävät kemikaaleja, joiden tiedetään aiheuttavan syöpää ja synnynnäisiä epämuodostumia sekä haittaavan lisääntymiskykyä. Pese kädet käsittelyn jälkeen.



VAROITUS

Tämän tuotteen pakokaasu sisältää Kalifornian valtion tutkimusten mukaan terveydelle haitallisia aineita.



VAROITUS

Briggs & Stratton-moottoreita ei ole suunniteltu käytettäväksi eikä niitä saa käyttää: karingautojen, lasten, vapaa-ajan tai urheilukäyttöön tarkoitettujen mönkijöiden, moottoripyörien, ilmatyynyvalusten tai ilmailuvälineiden voimanlähteenä tai ajoneuvoissa, joita käytetään kilpailuissa, joita Briggs & Stratton ei ole hyväksynyt. Saat lisätietoja kilpailutuotteistamme osoitteessa www.briggsracing.com. Halutessasi tietoja käytöstä hyötyajoneuvoissa ja mönkijöissä, ota yhteys osoitteella Briggs & Stratton Engine Application Center, 1-866-927-3349. Moottorin epäasianmukainen käyttö saattaa johtaa vakavaan vammautumiseen tai kuolemaan.

HUOMAA

Kun tämä moottori lähtee Briggs & Strattonin tehtaalta, siinä ei ole öljyä. Varmista ennen moottorin käynnistämistä, että lisäät öljyä tämän ohjekirjan ohjeiden mukaan. Jos käynnistät moottorin ilman öljyä, se vahingoittuu, eikä sitä voi enää korjata. Takuu ei korvaa sitä.



VAROITUS



Polttoaine ja polttoainehöyryt syttyvät erittäin herkästi ja ovat räjähdysherkkiä.

Tulipalot ja räjähdys saattavat aiheuttaa vakavia palovammoja tai kuoleman.

Polttoaineen lisääminen

- Sammuta moottori ja anna sen jäähtyä vähintään 2 minuutin ajan, ennen kuin avaat bensiinisäiliön korkin.
- Täytä tankki ulkona tai hyvin ilmastoidussa tilassa.
- Älä ylitä polttoainesäiliötä. Jotta polttoaine pääsee laajenemaan, älä täytä polttoainesäiliön kaulan alareunaa korkeammalle.

- Suojaa polttoaine kipinöiltä, avotulelta, sytytysliekiltä, lämmöltä ja muilta sytytyslähteiltä.
- Tarkista polttoaineputket, säiliö, korkki ja liitokset murtumien ja vuotojen varalta. Vaihda tarvittaessa.
- Jos polttoainetta läikkyä koneelle, odota sen haihtumista, ennen kuin käynnistät moottoria.

Kun käynnistät moottoria

- Varmista, että sytytystulppa, äänenvaimennin, polttoainekorkki ja ilmanpuhdistin (mikäli käytössä) ovat paikoillaan ja kiinnitettynä.
- Älä pyöritä moottoria sytytystulppa irrotettuna.
- Jos moottori tulvii, aseta rikastin (mikäli käytössä) OPEN/RUN-asentoon, siirrä kaasua (mikäli käytössä) FAST-asentoon ja pyöritä moottoria, kunnes se käynnistyy.

Laitteen käyttäminen

- Älä kallista moottoria siten, että polttoainetta pääsee vuotamaan.
- Älä sammuta moottoria käyttämällä kuristinta.
- Älä käynnistä tai käytä moottoria ilmansuodatinelementtiä (jos käytössä) tai ilmansuodatin (jos käytössä) poistettuna.

Öljyn vaihtaminen

- Jos haluat tyhjentää öljyn öljyntäyttöputken kautta, polttoainesäiliön on oltava tyhjä. Muussa tapauksessa polttoaine voi aiheuttaa valuessaan tulipalon tai räjähdys.

Laitteen kallistaminen huoltoa varten

- Tehdessäsi huoltotoimenpiteitä, jotka vaativat laitteen kallistamista, polttoainesäiliön on oltava tyhjä; muuten polttoainetta saattaa vuotaa ulos jolloin tuloksena voi olla tulipalo tai räjähdys.

Laitteen kuljettaminen

- Kuljeta tuotetta polttoainesäiliö TYHJENNETTYNÄ tai polttoaineen sulkuventtiili KIINNI-asennossa.

Kun säilytät polttoainetta tai laitetta, jonka säiliössä on polttoainetta

- Älä varastoi lämmityskattilan, uunin, vedenlämmittimen tai muun kipinän aikaansaavan laitteen läheisyyteen, sillä ne voivat sytyttää polttoaineen höyrystyvät kaasut.



VAROITUS

Moottorin käynnistämisen yhteydessä syntyy kipinöitä.

Kipinöinti voi sytyttää läheisyydessä olevat tulenarat kaasut.

Tuloksena voi olla räjähdys ja tulipalo.

- Jos käyttöalueella on maa- tai nestekaasuvuoto, älä käynnistä moottoria.
- Älä käytä paineistettuja käynnistyssumutteita, koska niiden höyry sytyttävät herkästi.



VAROITUS

MYRKYLLISEN KAASUN VAARA. Moottorin pakokaasut sisältävät hiilimonoksidia, myrkyllistä kaasua, joka voi tappaa muutamassa minuutissa. Sitä EI VOI nähdä, haistaa tai maistaa. Vaikka et tuntisikaan pakokaasun hajua, voit silti altistua hiilimonoksidikaasulle. Jos sinua alkaa oksettaa, huimata, tai tunnet olosi heikoksi laitetta käyttäessäsi, hakeudu raittiiseen ilmaan **VÄLITTÖMÄSTI**. Hakeudu lääkärin hoitoon. Olet ehkä saanut hiilidioksidimyrkytyksen.

- Käytä tätä laitetta VAIN ulkotiloissa, kaukana ikkunoista, ovista tai tuuletusaukoista vähentääksesi hiilidioksidin kerääntymisen vaaraa ja mahdollista joutumista tiloihin, joissa oleskellaan.
- Asenna paristokäyttöiset häikävaroitimet tai verkkokäyttöiset ja paristovarmenteiset häikävaroitimet valmistajan ohjeiden mukaan. Savuhälyttimet eivät havaitse häkää.
- ÄLÄ käytä tuotetta kotona sisällä, autotallissa, kellarissa, ryömintätiloissa, vajoissa tai muissa osittain suljetuissa tiloissa, vaikka niissä olisi tuulettimia tai avoimia ovia ja ikkunoita ilmanvaihtoa varten. Häkä voi kerääntyä tällaisiin tiloihin nopeasti ja säilyä siellä tuntikausia tuotteen sammutuksen jälkeenkin.
- Aseta laite AINA siten, että se on tuulen alapuolella ja että pakoputki osoittaa pois päin tiloista, joissa oleskellaan.



VAROITUS

Käynnistinnarun nopea vetäytyminen (takapotku) vetää kättäsi kohti moottoria nopeammin kuin ehdit reagoida.

Tästä voi seurata luunmurtumia, ruhjeita tai venähdyksiä.

- Kun käynnistät moottoria, vedä käynnistinnarua hitaasti, kunnes tunnet vastuksen, ja vetäise sen jälkeen nopeasti. Näin vältät takapotkun.
- Kytke pois kaikki ylimääräinen moottorin tai laitteen kuormitus käynnistyksen ajaksi.
- Kaikki suoraan kytketyt komponentit, kuten esimerkiksi terät, tuulettimet, juoksupyörät, hihnapyörät, ketjupyörät, tms. tulee olla tiukasti kiinnitettynä.



VAROITUS

Pyörivät osat voivat osua tai vetää mukaansa käden, jalan, hiukset, vaatteet tai lisälaitteet.

Tästä voi seurata vammauttava amputaatio tai vakavia silpoutumisvammoja.

- Käytä laitetta aina kaikki suojukset paikallaan.
- Pidä kädet ja jalat pois pyörivistä osista.
- Sido pitkät hiukset ja riisu korut.
- Älä käytä liian välijä vaatteita, varo sitomattomia, roikkuvia nauhoja tai muita helposti tarttuvia vaatekappaleita.



VAROITUS

Käyvä moottori tuottaa lämpöä. Moottorin osat, erityisesti äänenvaimennin, tulevat erittäin kuumiksi.

Osien koskettaminen saattaa aiheuttaa vakavia palovammoja.

Syttyvät roskat, kuten lehdet, ruoho, jne. saattavat syttyä palamaan.

- Anna äänenvaimentimen, moottorin sylinterin sekä jäähdysriipojen jäähtyä ennen niihin koskemista.
- Poista kerääntyneet roskat äänenvaimentimen ja sylinterin läheltä.
- On Kalifornian julkisen lainsäädännön pykälän 4442 vastaista käyttää moottoria millään metsä-, pensas- tai ruohoalueella, ellei pakokaasujärjestelmässä ole pykälän 4442 mukaista kipinänsammutinta ja ellei sitä pidetä toimintakunnossa. Muissa osavaltioissa tai liittovaltion alueella voi olla voimassa samanlaisia lakeja. Ota yhteys alkuperäisen laitteen valmistajaan, jälleenmyyjään tai vähittäiskauppiaseen saadaksesi tälle moottorille suunniteltuun pakokaasujärjestelmään sopivan kipinänsammuttimen.



VAROITUS

Hallitsematon kipinöinti voi aiheuttaa tulipalon tai sähköiskun.

Moottorin käynnistyminen vahingossa voi aiheuttaa vaaratilanteita ja vaikeita henkilövahinkoja.

Tulipalon vaara

Ennen säätöjä tai korjauksia:

- Irrota sytytystulpan johto ja pidä se erossa sytytystulppasta.
- Irrota akun negatiivinen kaapeli (vain sähkökäynnistimellä varustetut moottorit).
- Käytä ainoastaan oikeita työkaluja.
- Älä koske keskipakosäätimen jouseen, niveliin tai muihin koneisiin moottorin nopeuden lisäämiseksi.
- Varaosien on oltava samanlaisia ja ne on asennettava samaan asentoon kuin alkuperäisetkin osat. Muut osat eivät välttämättä toimi yhtä tehokkaasti ja voivat vahingoittaa laitetta ja aiheuttaa loukkaantumisia.
- Älä lyö vauhitypyörää vasaralla tai kovalla esineellä, koska vauhitypyörä voi hajota pirstaleiksi myöhemmin käytön aikana.

Kun testaat toimivuutta:

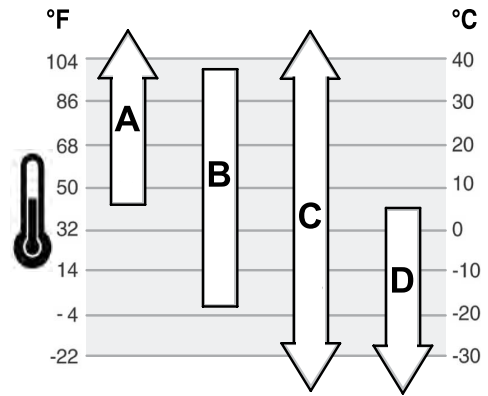
- Käytä hyväksytyä sytytystulpan testeriä.
- Älä tarkista kipinöintiä sytytystulpan ollessa irti.

Toiminnot ja hallintalaitteet

Moottorin hallintalaitteet

Vertaa kuvitusta (kuva: 1, 2, 3) ja omaa moottoriasi samanaikaisesti tutustuaksesi moottorin eri ominaisuuksiin ja säätimiin.

- A. Moottorin tunnustenumerot **Malli- Tyyppi- Koodi**
- B. Sytytystulppa
- C. Polttoainesäiliö ja korkki
- D. Ilmanpuhdistin
- E. Käynnistinnarun kädensija
- F. Mittatikku
- G. Äänenvaimennin, vaimentimen suoja (mikäli käytössä), kipinäsuojain (mikäli käytössä)
- H. Ilmanottoaukon ritilä
- I. Kaasuvipu (mikäli käytössä)
- J. Kuristin (mikäli käytössä)
- K. Polttoaineen sulkuventtiili (mikäli käytössä)
- L. Sammutuskatkaisin (mikäli käytössä)



A	SAE 30 – Alle 4 °C (40 °F) lämpötiloissa SAE 30 -öljyn käyttö johtaa huonoon käynnistyvyyteen.
B	10W-30 – Yli 27 °C (80 °F) lämpötilassa 10W-30-öljyn kulutus voi lisääntyä. Tarkista öljynkorkeus tavallista useammin.
C	Synteettinen 5W-30
D	5W-30

Moottorin hallintalaitteiden symbolit ja niiden selitykset

Symboli	Merkitys	Symboli	Merkitys
	Moottorin käyntinopeus - NOPEA		Moottorin käyntinopeus - HIDAS
	Moottorin käyntinopeus - SEIS		ON - OFF
	Moottorin käynnistys - kuristin KIINNI		Moottorin käynnistys - kuristin AUKI
	Polttoainesäiliön korkki Polttoaineen sulkuventtiili - AUKI		Polttoaineen sulkuventtiili - KIINNI
	Polttoainemäärä - Älä ylitäytä		

Käyttö

Öljyysuositukset

Öljytilavuus: Katso kohta **Tekniset tiedot**.

Suosittellemme Briggs & Stratton Warranty Certified -takuuöljyjä parhaan tuloksen saamiseksi. Voit käyttää myös muuta laadukasta pesevää öljyä, jonka luokitus on SF, SG, SH, SJ tai parempi. Älä käytä erikoislisäaineita.

Moottoriöljyn sopiva viskositeetti määräytyy ulkoilman lämpötilan mukaan. Valitse paras viskositeetti odotetun ulkoilman lämpötilan perusteella tästä taulukosta.

Tarkasta öljytaso

Katso kuva: 4

Ennen öljyn lisäämistä tai tarkistamista

- Varmista, että moottori on vaakasuorassa.
 - Puhdista öljyntäyttöaluelta kaikki roskat.
1. Poista mittatikku (A, kuva 4) ja pyyhi se puhtaalla kankaalla.
 2. Asenna ja kiristä mittatikku (A, kuva 4).
 3. Irrota mittatikku ja tarkasta öljytaso. Öljytaso on oikea, kun öljy ulottuu mittatikuun täyttätasoa osoittavan merkin yläosaan (B, kuva 4).
 4. Jos öljytaso on alhainen, lisää öljyä hitaasti moottorin täyttöaukkoon (C, kuva 4). **Älä täytä liikaa.** Odota lisäyksen jälkeen minuutti ja tarkasta öljytaso uudelleen.
 5. Asenna ja kiristä mittatikku uudelleen (A, kuva 4).

Polttoainesuositukset

Polttoaineen on täytettävä seuraavat vaatimukset:

- Puhdas, tuore, liijytön bensiini.
- Vähintään 87-oktaaninen / 87 AKI (91 RON). Korkean ilmanalan käyttö, katso alempana annettavat ohjeet.
- Enintään 10 % etanolia sisältävä bensiini hyväksytään polttoaineeksi.

HUOMAA Älä käytä bensiiniä, joka ei täytä näitä vaatimuksia, esim. E15 tai E85. Älä sekoita öljyä bensiiniin äläkä muuta moottoria muille polttoaineille. Muiden kuin suositusten mukaisten polttoaineiden käyttö vahingoittaa moottorin osia eikä takuu korvaa vahinkoja.

Suojaa polttoainejärjestelmä sakan muodostumiselta sekoittamalla polttoaineeseen stabilointiainetta. Katso **Varastointi**. Kaikki polttoaineet eivät ole samanlaisia. Vaihda polttoaineen toimittajaa tai merkkiä, jos moottorin käynnistyksessä tai suorituskyvyssä on ongelmia. Tämä moottori on hyväksytty toimimaan bensiinillä. Tämän moottorin pakokaasupäästöjen rajoitusjärjestelmä on EM (Moottorin modifikaatiot).

Korkea ilmanala

Yli 1 524 metrin (5 000 jalan) korkeudessa on käytettävä vähintään 85-oktaanista/85 AKI (89 RON) polttoainetta.

Kaasutinmoottoreille on suoritettava korkean ilmanalan säätö suorituskyvyn ylläpitämiseksi. Käyttö ilman korkean ilmanalan säätöä heikentää suorituskykyä, lisää polttoaineen kulutusta sekä päästöjä. Saat Briggs & Strattonin valtuutetulta vähittäismyyjältä lisätietoja korkean paikan säädöistä. Korkean paikan sarjaa ei suositella käytettäväksi, mikäli moottoria käytetään alle 762 metrin (2 500 jalan) korkeudessa.

Elektronisella polttoaineen ruiskutusjärjestelmällä (EFI) varustetuille moottoreille ei tarvitse suorittaa korkean ilmanalan säätöä.

Polttoaineen lisääminen

Katso kuva: 5



VAROITUS

Polttoaine ja polttoainehöyryt syttyvät erittäin herkästi ja ovat räjähdysherkkiä.

Tulipalot ja räjähdys saattaa aiheuttaa vakavia palovammoja tai kuoleman.

Kun lisää polttoainetta säiliöön

- Sammuta moottori ja anna sen jäähtyä vähintään 2 minuutin ajan, ennen kuin avaat bensiinisäiliön korkin.
- Täytä tankki ulkona tai hyvin ilmastoidussa tilassa.
- Älä ylitä polttoainesäiliötä. Jotta polttoaine pääsee laajenemaan, älä täytä polttoainesäiliön kaulan alareunaa korkeammalle.
- Suojaa polttoaine kipinöiltä, avotulelta, sytytysliekiltä, lämmöltä ja muilta sytytyslähteiltä.
- Tarkista polttoaineputket, säiliö, korkki ja liitokset murtumien ja vuotojen varalta. Vaihda tarvittaessa.
- Jos polttoainetta läikkyy koneelle, odota sen haihtumista, ennen kuin käynnistät moottorin.

1. Puhdista lika ja roskat polttoainesäiliön korkin ympäriltä. Irrota polttoainesäiliön korkki.
2. Täytä polttoainesäiliö (A, kuva 5) polttoaineella. Jotta polttoaine pääsee laajenemaan, älä täytä polttoainesäiliön kaulan alareunaa korkeammalle (B).
3. Kierrä korkki takaisin paikalleen.

Moottorin käynnistäminen ja sammuttaminen

Katso kuva: 6, 7, 8, 9

Moottorin käynnistys



VAROITUS

Käynnistinnarun nopea vetäytyminen (takapotku) vetää kättäsi kohti moottoria nopeammin kuin ehdit reagoida.

Tästä voi seurata luunmurtumia, ruhjeita tai venähdyksiä.

- Kun käynnistät moottoria, vedä käynnistinnarua hitaasti, kunnes tunnet vastuksen, ja vetäise sen jälkeen nopeasti. Näin vältät takapotkun.



VAROITUS

Polttoaine ja polttoainehöyryt syttyvät erittäin herkästi ja ovat räjähdysherkkiä.

Tulipalot ja räjähdys saattavat aiheuttaa vakavia palovammoja tai kuoleman.

Kun käynnistät moottoria

- Varmista, että sytytystulppa, äänenvaimennin, polttoainekorkki ja ilmanpuhdistin (mikäli käytössä) ovat paikoillaan ja kiinnitettyinä.
- Älä pyöritä moottoria sytytystulppa irrotettuna.
- Jos moottori tulvii, aseta rikastin (mikäli käytössä) OPEN/RUN-asentoon, siirrä kaasua (mikäli käytössä) FAST-asentoon ja pyöritä moottoria, kunnes se käynnistyy.



VAROITUS

MYRKYLLISEN KAASUN VAARA. Moottorin pakokaasut sisältävät hiilimonoksidia, myrkyllistä kaasua, joka voi tappaa muutamassa minuutissa. Sitä EI VOI nähdä, haistaa tai maistaa. Vaikka et tunnisikaan pakokaasun hajua, voit silti altistua hiilimonoksidikaasulle. Jos tunnet olosi huonovointiseksi tai sinua huimaa tai heikottaa käyttäessäsi tätä laitetta, sammuta se välittömästi ja hakeudu VÄLITTÖMÄSTI raikkaaseen ulkoilmaan. Hakeudu lääkärin hoitoon. Olet ehkä saanut hiilidioksidimyrkytyksen.

- Käytä tätä laitetta VAIN ulkotiloissa, kaukana ikkunoista, ovista tai tuuletusaukoista vähentääksesi hiilidioksidin kerääntymisen vaaraa ja mahdollista joutumista tiloihin, joissa oleskellaan.
- Asenna paristokäyttöiset häikäroittimet tai verkkokäyttöiset ja paristovarmenteiset häikäroittimet valmistajan ohjeiden mukaan. Savuhälyttimet eivät havaitse häkää.
- ÄLÄ käytä tuotetta kotona sisällä, autotallissa, kellarissa, ryömintätiloissa, vajoissa tai muissa osittain suljetuissa tiloissa, vaikka niissä olisi tuulettimia tai avoimia ovia ja ikkunoita ilmanvaihtoa varten. Häkä voi kerääntyä tällaisiin tiloihin nopeasti ja säilyä siellä tuntikausia tuotteen sammutuksen jälkeenkin.

- Aseta laite AINA siten, että se on tuulen alapuolella ja että pakoputki osoittaa pois päin tiloista, joissa oleskellaan.

HUOMAA Kun tämä moottori lähtee Briggs & Strattonin tehtaalta, siinä ei ole öljyä. Varmista ennen moottorin käynnistämistä, että lisäät öljyä tämän ohjekirjan ohjeiden mukaan. Jos käynnistät moottorin ilman öljyä, se vahingoittuu, eikä sitä voi enää korjata. Takuu ei korvaa sitä.

Käynnistysjärjestelmän selvittäminen

Ennen kuin käynnistät moottorin, sinun tulee ottaa selvää, millainen käynnistysjärjestelmä moottorissa on. Moottorissa on jompi kumpi seuraavista järjestelmistä.

- **ReadyStart® -järjestelmä:** Siinä on lämpötilaohjattu automaattikuristin. Siinä ei ole manuaalista rikastinta tai primerpumpua.
- **Rikastinjärjestelmä:** Sisältää kuristimen, jota käytetään käynnistettäessä moottoria kylmässä lämpötilassa. Joissakin malleissa on erillinen kuristimen säädin kun taas toisissa yhdistetty rikastin-/kaasusäädin. Tässä mallissa ei ole primerpumpua.

Käynnistä moottori noudattamalla käynnistysjärjestelmää koskevia ohjeita.

Huomio: Laitteessa saattaa olla kauko-ohjaimia. Tarkista kauko-ohjainten sijainti ja toiminta laitteen käsikirjasta.

ReadyStart® -järjestelmä

1. Tarkasta moottoriöljy. Katso kohta **Öljytason tarkastaminen**.
2. Varmista, että laitteen voimansiirron säätölaitteet, mikäli käytössä, ovat vapaalla.
3. Siirrä polttoaineen sulkuventtiili (A, kuva 6), mikäli käytössä, OPEN-asentoon.
4. Siirrä kaasuvipu (B, kuva 6), mikäli käytössä, FAST-asentoon. Käytä moottoria FAST-asennossa.
5. Työnnä pysäytyskytkin (D, kuva 7), mikäli käytössä, ON-asentoon.
6. Jos tuotteessa on moottorin pysäytysvipu (C, kuva 8), pidä sitä kahvaa vasten.
7. **Käsi-käynnistin, mikäli käytössä:** Tartu käynnistinnarun kädensijaan tiukasti (G, kuva 6). Vedä käynnistinnarun kädensijaa, kunnes tunnet vastuksen, ja vetäise sen jälkeen nopeasti.



VAROITUS

Käynnistinnarun nopea vetäytyminen (takapotku) vetää kättäsi kohti moottoria nopeammin kuin ehdit reagoida. Tästä voi seurata luunmurtumia, ruhjeita tai venähdyksiä. Kun käynnistät moottoria, vedä käynnistinnarua hitaasti, kunnes tunnet vastuksen, ja vetäise sen jälkeen nopeasti. Näin vältät takapotkun.

8. **Sähkökäynnistin, mikäli käytössä:** Käännä sähkökäynnistin ON/START-asentoon.

HUOMAA Voit pidentää käynnistimen käyttöaikaa käynnistämällä moottoria vain lyhyitä jaksoja (korkeintaan viisi sekuntia kerralla). Pidä minuutin tauko käynnistysyritysten välillä.

Huomio: Mikäli moottori ei käynnisty useamman yrityksen jälkeen, ota yhteys paikalliseen jälleenmyyjään tai katso ohjeet sivulta **BRIGGSandSTRATTON.com** tai soita numeroon **1-800-233-3723** (Yhdysvalloissa).

Kuristinjärjestelmä

1. Tarkasta moottoriöljy. Katso kohta **Öljytason tarkastaminen**.
2. Varmista, että laitteen voimansiirron säätölaitteet, mikäli käytössä, ovat vapaalla.
3. Siirrä polttoaineen sulkuventtiili (A, kuva 6), mikäli käytössä, OPEN-asentoon.
4. Siirrä kaasuvipu (B, kuva 6), mikäli käytössä, FAST-asentoon. Käytä moottoria FAST-asennossa.
5. Siirrä kaasuvipu (F, kuva 9), CLOSED-asentoon.

Huomio: Kuristimen käyttö on tavallisesti tarpeetonta lämmintä moottoria käynnistettäessä.

6. Työnnä pysäytyskytkin (D, kuva 9), mikäli käytössä, ON-asentoon.
7. Jos tuotteessa on moottorin pysäytysvipu (C, kuva 8), pidä sitä kahvaa vasten.
8. **Käsi-käynnistin, mikäli käytössä:** Tartu käynnistinnarun kädensijaan tiukasti (G, kuva 6). Vedä käynnistinnarun kädensijaa, kunnes tunnet vastuksen, ja vetäise sen jälkeen nopeasti.



VAROITUS

Käynnistinnarun nopea vetäytyminen (takapotku) vetää kättäsi kohti moottoria nopeammin kuin ehdit reagoida. Tästä voi seurata luunmurtumia, ruhjeita tai venähdyksiä. Kun käynnistät moottoria, vedä käynnistinnarua hitaasti, kunnes tunnet vastuksen, ja vetäise sen jälkeen nopeasti. Näin vältät takapotkun.

9. Sähkökäynnistin, mikäli käytössä: Käännä sähkökäynnistin ON/START-asentoon.

HUOMAA Voit pidentää käynnistimen käyttöikää käynnistämällä moottoria vain lyhyitä jaksoja (korkeintaan viisi sekuntia kerralla). Pidä minuutin tauko käynnistysyritysten välillä.

10. Kun moottori on lämmennyt, siirrä rikastinvipu (F, kuva 9) OPEN / RUN-asentoon.

Huomio: Mikäli moottori ei käynnisty useamman yrityksen jälkeen, ota yhteys paikalliseen jälleenmyyjään tai katso ohjeet sivulta **BRIGGSandSTRATTON.com** tai soita numeroon **1-800-233-3723** (Yhdysvalloissa).

Sammuta moottori



VAROITUS



Polttoaine ja polttoainehöyryt sytyvät erittäin herkästi ja ovat räjähdysherkkiä.

Tulipalot ja räjähdys saattavat aiheuttaa vakavia palovammoja tai kuoleman.

- Älä sammuta moottoria käyttämällä kuristinta, mikäli sellainen on.

1. Moottorin sammutusvipu, mikäli käytössä: Vapauta moottorin sammutusvipu (E, kuva 8).

Sammutuskatkaisin, mikäli käytössä: Siirrä sammutuskatkaisin (D, kuva 7, 9) OFF-asentoon.

Kaasuvipu, mikäli käytössä: Siirrä kaasuvipu (B, kuva 6) STOP-asentoon.

Sähkökäynnistimen avain, mikäli käytössä: Käännä sähkökäynnistimen avain OFF / STOP-asentoon. Irrota avain ja pidä se turvallisessa paikassa poissa lasten ulottuvilta.

2. Kun moottori on sammunut, työnnä polttoaineen sulkuventtiili (A, kuva 6), mikäli käytössä, CLOSED-asentoon.

Huolto

HUOMAA Jos moottori kallistetaan huollon ajaksi, moottoriin kiinnitetyn polttoainesäiliön on oltava tyhjä ja sytytystulpan puolen on oltava ylöspäin. Jollei polttoainesäiliö ole tyhjä ja moottoria kallistetaan muuhun suuntaan, käynnistys voi vaikeutua, koska öljy tai bensiini voi liata ilmanpuhdistimen ja/tai sytytystulpan.



VAROITUS

Tehtessäsi huoltotoimenpiteitä, jotka vaativat laitteen kallistamista, polttoainesäiliön on oltava tyhjä tai polttoainetta saattaa vuotaa ulos jolloin tuloksena voi olla tulipalo tai räjähdys.

Suosittellemme, että otat yhteyttä mihin tahansa valtuutettuun Briggs & Stratton -huoltoliikkeeseen kaikissa moottoreiden huoltoa, korjausta ja varaosia koskeissa kysymyksissä.

HUOMAA Kaikkien moottorin valmistuksessa käytettyjen osien on oltava paikoillaan, jotta moottori toimisi kunnolla.



VAROITUS



Hallitsematon kipinäointi voi aiheuttaa tulipalon tai sähköiskun.

Moottorin käynnistyminen vahingossa voi aiheuttaa vaaratilanteita ja vaikeita henkilövahinkoja.

Tulipalon vaara

Ennen säätö- tai korjaustoimenpiteitä:

- Irrota sytytystulpan johto ja pidä se erossa sytytystulpasta.
- Irrota akku moottorin akkukotelosta. Akku voi joissain tilanteissa toimia laitekoodina.
- Käytä ainoastaan oikeita työkaluja.

- Älä koske keskipakosäätimen jouseen, niveliin tai muihin koneosiin moottorin nopeuden lisäämiseksi.
- Varaosien on oltava samanlaisia ja ne on asennettava samaan asentoon kuin alkuperäisetkin osat. Muut osat eivät välttämättä toimi yhtä tehokkaasti ja voivat vahingoittaa laitetta ja aiheuttaa loukkaantumisia.
- Älä lyö vauhtipyörää vasaralla tai kovalla esineellä, koska vauhtipyörä voi hajota pirstaleiksi myöhemmin käytön aikana.

Sytytyskipinän testaaminen:

- Käytä hyväksyttyä sytytystulpan testeriä.
- Älä tarkista kipinäointia sytytystulpan ollessa irti.

Päästöjenrajoitusjärjestelmän huolto

Päästöjenrajoitusjärjestelmän laitteiden ja osien huollon, vaihdon tai korjauksen voi suorittaa mikä tahansa työkonemoottoreiden korjausliike tai yksityinen korjaaja. Pakokaasupäästöjen tarkastus on kuitenkin ilmainen vain, jos työn suorittaa tehtaan valtuuttama jälleenmyyjä. Katso päästöjen rajoitusta koskevat lauseimat.

Huoltoaikataulu

Ennen jokaista käyttökertaa
<ul style="list-style-type: none"> • Tarkasta moottorin öljytaso • Puhdista äänenvaimentimen ja säätimien ympäristö • Puhdista ilmanottoaukon ritilä
Joka 25. tunti tai vuosittain
<ul style="list-style-type: none"> • Puhdista ilmansuodatin ¹ • Puhdista esipuhdistin, mikäli käytössä
Joka 50. tunti tai vuosittain
<ul style="list-style-type: none"> • Pakojärjestelmän huolto
Vuosittain
<ul style="list-style-type: none"> • Vaihda sytytystulppa • Vaihda ilmansuodatin • Vaihda esipuhdistin, mikäli käytössä • Huolla jäähdytysjärjestelmä ¹

¹ Puhdista useammin pölyisissä tai roskaisissa olosuhteissa.

Kaasutin ja moottorin käyntinopeus

Älä koskaan tee säätöjä kaasuttimeen tai moottorin kierroslukuihin. Kaasutin on säädetty tehtaalla toimimaan tehokkaasti yleisimmissä olosuhteissa. Älä peukaloiki kierroskurajoittimen jousta, vivustoa tai muita osia muuttaaksesi moottorin käyntinopeutta. Jos moottoriin on tehtävä mitään tahansa säätöjä, ota yhteys valtuutettuun Briggs & Stratton -huoltoliikkeeseen.

HUOMAA Laittevalmistaja määrittää laitteeseen asennettun moottorin enimmäiskäyntinopeuden. **Älä ylitä** tätä nopeutta. Jos et tiedä varmasti moottorin enimmäiskäyntinopeutta tai tehdasasetteista käyntinopeutta, ota yhteys valtuutettuun Briggs & Stratton -huoltoliikkeeseen. Laitteen turvallisen ja oikean toiminnan varmistamiseksi moottorin käyntinopeuden saa säätää ainoastaan valtuutettu huoltoteknikko.

Huolla sytytystulpat

Katso kuva . 10

Tarkista rako (A, kuva 10) lankatulkillilla (B). Säädä rako tarvittaessa uudelleen. Asenna ja kiristä sytytystulppa suositeltuun momenttiin. Katso rako ja kiristysmomenttia koskevat tiedot kohdasta **Tekniset tiedot**.

Huomio: Eräissä maissa laki vaatii vastussytytystulppien käyttämistä sytytyksestä aiheutuvien häiriöiden vaimentamiseksi. Jos moottorissa on alun perin vastussytytystulppa, käytä samantyyppistä tulppaa myös jatkossa.

Pakokaasujärjestelmän huoltaminen



VAROITUS

Moottorin käydessä syntyy lämpöä. Moottorin osat, erityisesti vaimennin, tulevat erittäin kuumiksi.

Osien koskettaminen saattaa aiheuttaa vakavia palovammoja.

Syttyvät roskat, kuten lehdet, ruoho, jne. saattavat syttyä palamaan.

- Anna vaimentimen, moottorin sylinterin ja jäähdytysripien jäähtyä ennen niihin koskemista.
- Poista kerääntyneet roskat vaimentimen ja sylinterin läheltä.
- Kalifornian luonnonvaralain 4442 §:n mukaan on kiellettyä käyttää tai ajaa laitetta metsä-, pensas- tai ruohopeitteisellä maalla tai sellaisen lähellä, ellei pakojärjestelmään ole asennettu 4442 §:n mukaista toimintakuntoista kipinäsuojaa. Muissa osavaltioissa tai eri liittovaltioiden alueilla voi olla voimassa samanlaisia lakeja. Ota yhteys alkuperäisen laitteen valmistajaan, jälleenmyyjään tai vähittäiskauppiaseen saadaksesi tälle moottorille suunniteltuun pakokaasujärjestelmään sopivan kipinänsammuttimen.

Poista kerääntyneet roskat vaimentimen ja sylinterin läheltä. Tarkasta äänenvaimentimen halkeamat, syöpymsiset tai muut vauriot. Poista kipinäsuojus, jos varusteena, ja tarkasta vaurioiden tai hiilitukoksen varalta. Jos vaurioita löytyy, asenna varaosat ennen käyttöä.



VAROITUS

Varaosien on oltava samanlaisia ja ne on asennettava samaan asentoon kuin alkuperäisetkin osat. Muut osat eivät välttämättä toimi yhtä tehokkaasti ja voivat vahingoittaa laitetta ja aiheuttaa loukkaantumisia.

Vaihda moottoriöljy

Katso kuva: 11, 12, 13



VAROITUS

Polttoaine ja polttoainehöyryt syttyvät erittäin herkästi ja ovat räjähdysherkkiä.

Tulipalot ja räjähdys saattavat aiheuttaa vakavia palovammoja tai kuoleman.

Käyvä moottori tuottaa lämpöä. Moottorin osat, erityisesti äänenvaimennin, tulevat erittäin kuumiksi.

Osien koskettaminen saattaa aiheuttaa vakavia palovammoja.

- Kun poistat öljyn öljyntäyttöputken yläpäähän kautta, polttoainesäiliön pitää olla tyhjä tai polttoainetta saattaa vuotaa ulos, jolloin seurauksena voi olla tulipalo tai räjähdys.
- Anna äänenvaimentimen, moottorin sylinterin sekä jäähdytysripien jäähtyä ennen niihin koskemista.

Tarkista öljy ja lisää tarvittaessa. Katso kappale Öljyn tarkistus/lisääminen. Öljynvaihto ei ole tarpeen, mutta halutessasi vaihtaa öljy noudata alla kuvattua toimenpidettä.

Käytetty öljy on ongelmajätettä, ja se on toimitettava käsiteltäväksi asianmukaisesti. Älä hävitä sitä talousjätteen joukossa. Tarkista paikallisilta jätehuoltoviranomaisilta, huollosta tai jälleenmyyjältä, miten öljy voidaan hävittää/kierrättää turvallisesti.

Öljyn poistaminen

Öljy on poistettava öljyntäyttöputken yläpäähän kautta.

1. Kun moottori on vielä lämmin, irrota sytytystulpan johto (D, kuva 11) pidä se erillään sytytystulpasta (E).
2. Poista mittatikku (A, kuva 12).
3. Kun tyhjennät öljyn yläreunassa olevan öljyntäyttöputken kautta (C, kuva 13), pidä moottorin sytytystulpalla (E) varustettu pää ylöspäin. Valuta öljy hyväksytyyn säiliöön.



VAROITUS

Kun poistat öljyn öljyntäyttöputken yläpäähän kautta, polttoainesäiliön pitää olla tyhjä tai polttoainetta saattaa vuotaa ulos, jolloin seurauksena voi olla tulipalo tai räjähdys. Tyhjennä säiliö käyttämällä moottoria, kunnes se sammuu polttoaineen loppumisen vuoksi.

Öljyn lisääminen

- Varmista, että moottori on vaakasuorassa.
- Puhdista öljyntäyttöalueelta kaikki roskat.
- Katso öljytilavuus luvusta **Tekniset tiedot**.

1. Poista mittatikku (A, kuva 12) ja pyyhi se puhtaalla kankaalla.
2. Valuta öljyä hitaasti moottorin täyttöaukkoon (C, kuva 12). **Älä täytä liikaa.** Odota lisäyksen jälkeen minuutti ja tarkasta öljytaso uudelleen.
3. Asenna ja kiristä mittatikku (A, kuva 12).
4. Irrota mittatikku ja tarkasta öljytaso. Öljytaso on oikea, kun öljy ulottuu mittatikun täyttätasoa osoittavan merkin yläosaan (B, kuva 12).
5. Asenna ja kiristä mittatikku uudelleen (A, kuva 12).
6. Kytke sytytystulpan johto (D, kuva 11) sytytystulppaan (E).

Huolla ilmanpuhdistin

Katso kuva: 14



VAROITUS

Polttoaine ja polttoainehöyryt syttyvät erittäin herkästi ja ovat räjähdysherkkiä.

Tulipalot ja räjähdys saattavat aiheuttaa vakavia palovammoja tai kuoleman.

- Älä koskaan käynnistä tai käytä moottoria, jos ilmanpuhdistin (mikäli käytössä) tai ilmansuodatin (mikäli käytössä) on irrotettu.

HUOMAA Älä käytä suodattimen puhdistamiseen paineilmaa äläkä liuottimia. Paineilma voi vahingoittaa suodatinta ja liuottimet sulattavat sen.

Katso huoltovaatimukset **huoltokaaviosta**.

Paperinen ilmansuodatin

1. Avaa suojuus (B, kuva 14).
2. Irrota suodatin (C, kuva 14).
3. Irrota esipuhdistin (E, kuva 14), jos käytössä, suodattimesta. Irrota roskat napauttamalla varovasti suodatinta kovaa pintaa vasten. Vaihda erityisen likainen suodatin uuteen.
4. Pese esipuhdistin nestemäisellä pesuaineella ja vedellä. Anna kuivua perusteellisesti. **Älä** öljyä esipuhdistinta.
5. Asenna kuiva esipuhdistin, jos käytössä, suodattimeen.
6. Asenna suodatin (C, kuva 14).
7. Sulje kansi (B, kuva 14).

Jäähdytysjärjestelmän huoltaminen



VAROITUS

Moottorin käydessä syntyy lämpöä. Moottorin osat, erityisesti vaimennin, tulevat erittäin kuumiksi.

Osien koskettaminen saattaa aiheuttaa vakavia palovammoja.

Syttyvät roskat, kuten lehdet, ruoho, jne. saattavat syttyä palamaan.

- Anna vaimentimen, moottorin sylinterin ja jäähdytysripien jäähtyä ennen niihin koskemista.
- Poista kerääntyneet roskat vaimentimen ja sylinterin läheltä.

HUOMAA Älä puhdista moottoria vedellä. Vesi saattaa tunkeutua polttoainejärjestelmään. Puhdista moottori harjalla tai kuivalla kankaalla.

Tämä on ilmajäähdytteinen moottori. Lika ja roskat voivat estää ilman virtauksen ja aiheuttaa moottorin ylikuumentumisen, mikä heikentää moottorin tehoa ja lyhentää sen käyttöikää.

1. Poista ilmanottoaukkoon kerääntyneet roskat harjalla tai kuivalla kankaalla.
2. Pidä vivusto, jouset ja säätimet puhtaina.
3. Pidä äänenvaimentimen (jos asennettu) ympärillä ja takana olevat alueet puhtaina tulenaroista roskista.
4. Varmista, ettei öljynjäähdyttimen lamelleissa (jos asennettu) ole likaa tai roskaa.

Ajan mittaan lika saattaa kertyä sylinterin jäähdytysripiin ja aiheuttaa moottorin ylikuumentumisen. Tätä likaa ei voi poistaa ilman moottorin osista purkamista. Pyydy valtuutettua Briggs & Stratton -huoltoiliikettä tarkastamaan ja puhdistamaan

ilmajäähdytysjärjestelmä noudattaen ohjeita, jotka esitetään kohdassa **Kunnossapidon aikataulu**.

Varastointi



Polttoaine ja polttoainehöyryt syttyvät erittäin herkästi ja ovat räjähdysherkkiä.

Tulipalot ja räjähdys saattavat aiheuttaa vakavia palovammoja tai kuoleman.

Polttoaineen tai laitteen varastoiminen, kun tankissa on polttoainetta

- Älä varastoi lämmityskattilan, uunin, vedenlämmittimen tai muun kipinän aikaansaavan laitteen läheisyyteen, sillä ne voivat sytyttää polttoaineen höyrystyvät kaasut.

HUOMAA Varastoi moottori vaakatasossa (normaalissa käyttöasennossa). Tarkista muut varastointiohjeet laitteen käyttöohjeesta.

Polttoainejärjestelmä

Polttoaine voi vanhentua, jos sitä säilytetään yli 30 päivää. Vanha polttoaine aiheuttaa happo- ja sakkakertymiä polttoainejärjestelmään ja tärkeisiin kaasuttimen osiin. Pidä polttoaine tuoreena käyttämällä polttoainetta suojaavaa, koostumukseltaan parannettua **Briggs & Stratton Advanced Formula Fuel Treatment & Stabilizer** -stabilointiainetta, jota on saatavana kaikista alkuperäisten Briggs & Stratton -varaosien myyntipisteistä.

Moottorin polttoainetta ei tarvitse tyhjentää, jos polttoaineen stabilointiainetta lisätään ohjeiden mukaisesti. Käytä moottoria 2 minuutin ajan, jotta stabilointiaine kulkeutuu kaikkialle polttoainejärjestelmään ennen varastointia.

Jos moottorin polttoainetta ei ole käsitelty stabilointiaineella, se on tyhjennettävä hyväksytyyn säiliöön. Käytä moottoria, kunnes se pysähtyy polttoaineen loppumiseen. Suosittelemme käyttämään polttoaineen stabilointiainetta varastointisäiliössä, jotta polttoaine säilyy tuoreena.

Moottoriöljy

Öljynvaihto ei ole tarpeen, mutta jos haluat vaihtaa öljyn, tee se moottorin ollessa lämmin. Katso luku **Moottoriöljyn vaihto**.

Vianmääritys

Ota yhteyttä paikalliseen jälleenmyyjään tai katso ohjeet sivulta **BRIGGSandSTRATTON.com** tai soita numeroon **1-800-233-3723** (Yhdysvalloissa).

Tekniset tiedot

Malli: 100000	
Iskutilavuus	9.93 ci (163 cc)
Sylinterin halkaisija	2.688 in (68,28 mm)
Iskun pituus	1.75 in (44,45 mm)
Öljytilavuus	15 oz (,44 L)
Tulpan kärkiväli	.030 in (,76 mm)
Sytytystulpan kiristysarvo	180 lb-in (20 Nm)
Sytytyspuolan ilmaväli	.006 - .014 in (,15 - ,36 mm)
Imuventtiilin vällys	.004 - .008 in (,10 - ,20 mm)
Pakiventtiilin vällys	.004 - .008 in (,10 - ,20 mm)

Malli: 093J00	
Iskutilavuus	9.15 ci (150 cc)
Sylinterin halkaisija	2.583 in (65,60 mm)
Iskun pituus	1.75 in (44,45 mm)
Öljytilavuus	15 oz (,44 L)
Tulpan kärkiväli	.020 in (,51 mm)
Sytytystulpan kiristysarvo	180 lb-in (20 Nm)
Sytytyspuolan ilmaväli	.006 - .014 in (,15 - ,36 mm)
Imuventtiilin vällys	.004 - .008 in (,10 - ,20 mm)
Pakiventtiilin vällys	.004 - .008 in (,10 - ,20 mm)

Moottorin teho laskee 3,5 % jokaista 300 metriä (1 000 jalkaa) kohti merenpinnan yläpuolella ja 1 %:n jokaista 5,6 °C (10 °F) kohti lämpötilan ollessa yli 25 °C (77 °F). Moottori toimii

moitteettomasti aina 15° kulmaan saakka. Katso käyttöohjekirjasta turvalliset käyttörajat kaltevilla alueilla.

Huolto-osat - Malli: 100000, 093J00	
Varaosa	Varaosanumero
Ilmansuodatin (katso kuva 14)	593260
Ilmansuodatin, esipuhdistin (katso kuva 14)	594055
Öljy - SAE 30	100113
Advanced Formula Fuel Treatment and Stabilizer-polttoaineen lisäaine	100117, 100120
Vastussytytystulppa (malli 100000)	594056
Vastussytytystulppa (malli 093J00)	692051
Sytytystulppa-avain	19576
Kipinätesteri	19368

Suosittellemme, että otat yhteyttä valtuutettuun Briggs & Stratton -huoltoliikkeeseen kaikissa moottoreiden huolto- ja korjausta ja moottoreiden varaosia koskevissa kysymyksissä.

Nimellisteho: Erillisten kaasumoottorimallien nimellisteho on merkitty SAE-koodilla (Society of Automotive Engineers) J1940 Pienten moottorien teho- ja momenttiluokitusmenetelmä, ja luokiteltu SAE J1995 -standardin mukaisesti. Momenttiarvot johdetaan 2600 RPM:n nopeudella moottoreille, joiden etiketissä on "rpm" ja 3060 RPM:n nopeudella kaikille muille. Hevosvoiman arvot johdetaan nopeudella 3600 RPM. Bruttotehokäyrät ovat nähtävissä osoitteessa www.BRIGGSandSTRATTON.COM Nettotehoarvot on mitattu pakoputki ja ilmanpuhdistin asennettuina, mutta bruttotehoarvot kerätään ilman näitä oheislaitteita. Moottorin todellinen bruttoteho on nettotehoa suurempi, koska siihen vaikuttavat mm. ympäristön käyttöolosuhteet ja moottorikohtaiset vaihtelut. Koska moottoreita asennetaan hyvin erilaisiin laitteisiin, bensiinimoottori ei ehkä kehity sille ilmoitettua bruttotehoa yksittäisessä moottoroidussa laitteessa. Ero johtuu monista tekijöistä, joita voivat olla esimerkiksi moottorin eri komponentit (ilmanpuhdistin, pakosarja, laturi, jäähdyn, kaasutin, polttoainepumppu jne.), käyttörajoitukset, ympäristön käyttöolosuhteet (lämpötila, kosteus, korkeus merenpinnasta) sekä moottorikohtainen vaihtelu. Luettelo ei ole rajoittava. Valmistus- ja kapasiteettirajoitusten vuoksi Briggs&Stratton voi vaihtaa moottorin saman sarjan tehokkaampaan versioon.

Takuu

Briggs & Stratton -moottorin takuu

Voimassa tammikuusta 2016 alkaen

Rajoitettu takuu

Briggs & Stratton takaa, että alla määritettyä takuu-aikana se korjaa tai vaihtaa veloituksetta osan tai osat, joissa on materiaali- ja/tai valmistusvika. Takuukorjattavan tai takuuvaihdettavan tuotteen kuljetuskustannukset on ostajan maksettava. Tämä takuu on voimassa alla esitetyn ajan ja alla esitetyillä ehdoilla. Ota takuuhooltoon liittyvissä asioissa yhteyttä lähimpään valtuutettuun Briggs & Stratton -huoltoliikkeeseen, jonka löydät jälleenmyyjien kartaltamme osoitteesta BRIGGSandSTRATTON.COM. Ostajan on otettava yhteys valtuutettuun huoltoliikkeeseen ja toimitettava tuote liikkeeseen tarkistusta ja testausta varten.

Muuta nimenomaista takuuta ei myönnetä. Oletetut takuut, kuten jälleenmyyntiarvo ja tiettyyn käyttötarkoitukseen sopivuutta koskevat takuut, on rajattu alla mainittuun takuu-aikaan tai lain sallimaan laajuuteen. Vastuu tahattomista tai väillististä vahingoista ei kuulu takuun piiriin, jos laki sallii tällaisen takuurajoituksen. Kaikki osavaltiot ja maat eivät salli rajoituksia oletetun takuun pituuteen, eivätkä kaikki osavaltiot ja maat salli tahattomien tai väillisten vahinkojen rajaamista takuun ulkopuolelle. Edellä oleva rajoitus ja poikkeus eivät siis välttämättä koske sinua. Tämä takuu antaa Teille nimenomaiset lailliset oikeudet ja Teillä voi olla myös muita Suomen lain mukaisia oikeuksia ⁴.

Tavanomaiset takuehdot ^{1, 2}

Merkki / Tuotetyppi	Yksityiskäyttö	Kaupallinen käyttö
Vanguard™ ³	36 kuukautta	36 kuukautta
Commercial Turf Series™ ; Commercial Series	24 kuukautta	24 kuukautta
Valurautaisella Dura-Bore™-valurautaputkella varustetut moottorit	24 kuukautta	12 kuukautta
Kaikki muut Briggs & Stratton -moottorit	24 kuukautta	3 kuukautta

¹ Nämä ovat tavanomaiset takuehtomme; takuu saattaa toisinaan kattaa myös muita alueita, joita ei ole määritetty julkaisuhetkellä. Katso moottoriasi koskevat tämänhetkiset takuehdot osoitteesta BRIGGSandSTRATTON.COM tai ota yhteyttä lähimpään Briggs & Stratton -huoltoliikkeeseen.

² Takuu ei koske moottoreita, joita käytetään kaupallisissa tarkoituksissa ensisijaisena voimälähteenä tai varageneraattorina. Takuu ei koske kilpa-ajoissa tai kaupallisilla tai vuokratuilla käytettäviä moottoreita.

³ Vanguard asennettuna varageneraattoreihin: 24 kuukautta yksityiskäytössä, takuu ei koske kaupallista käyttöä. Vanguard asennettuna hyötyajoneuvoihin: 24 kuukautta yksityiskäytössä, 24 kuukautta kaupallisessa käytössä. Vanguardin 3-sylinterinen, nestejäähdytetty moottori: katso Briggs & Stratton 3/LC -moottorin takuukäytäntö.

⁴ Australia - Tuotteissamme on takuu, jota ei Australian kuluttajansuojalain mukaisesti voi sivuuttaa. Olet oikeutettu vaihtoon tai hyvitykseen merkittävästä viasta ja korvaukseen muusta kohtuullisessa määrin ennakoitavasta tappiosta tai vahingosta. Olet myös oikeutettu tuotteiden korjaukseen tai vaihtoon, jos niiden laatu ei ole hyväksyttävä, vaikka vikaa ei katsottaisi merkittäväksi viaksi. Ota takuuhuoltoon liittyvissä asioissa yhteyttä lähimpään valtuutettuun Briggs & Stratton -huoltoliikkeeseen, jonka löydät jälleenmyyjien kartaltamme osoitteesta BRIGGSandSTRATTON.COM. Voit myös soittaa numeroon 1300 274 447 tai lähettää sähköpostia tai postia osoitteeseen salesenquires@briggsandstratton.com.au, Briggs & Stratton Australia Pty Ltd, 1 Moorebank Avenue, Moorebank, NSW, Australia, 2170.

Takuuaika alkaa sitä päivästä, kun tuote hankitaan ensimmäisen kerran kuluttaja- tai kaupalliseen käyttöön. "Kuluttajakäytöllä" tarkoitetaan vähittäisasiakkaan henkilökohtaista kotitalouskäyttöä. "Kaupallisella käytöllä" tarkoitetaan kaikkea muuta käyttöä, kuten käyttöä kaupalliseen toimintaan, tulonhankintaan tai vuokraukseen. Jos moottori on ollut kaupallisessa käytössä, sitä pidetään sen jälkeen kaupalliseen käyttöön tarkoitettuna moottorina tämän takuun osalta.

Säilytä kuitti ostotodistuksena. Jos todistusta ensimmäisen hankinnan päivämäärästä ei toimiteta silloin, kun takuuhuoltoa pyydetään, tuotteen valmistuspäivämäärää käytetään takuuajan määrittämiseen. Briggs & Stratton -tuotteiden takuuhuollon saaminen ei edellytä tuotteen rekisteröintiä.

Takuuehdot

Tämä takuu kattaa vain moottoriin liittyvät vialliset materiaalit ja/tai työvirheet eikä mitään vaihto-osia eikä korvausta laitteesta, johon moottori on kiinnitetty. Tämä takuu ei kata säännöllisesti suoritettavia huoltotoimenpiteitä, virityksiä, säätöjä tai tavallista kulumista. Takuu ei myöskään ole voimassa siinä tapauksessa, että moottoria on muunneltu tai moottorin sarjanumero on sotkettu tai poistettu. Tämä takuu ei kata moottorivaurioita tai suorituskykyyn liittyviä ongelmia, jotka ovat aiheutuneet seuraavista syistä:

1. Muiden kuin alkuperäisten Briggs & Stratton -osien käyttö.
2. Moottorin käyttäminen riittämättömän öljymäärän, likaantuneen öljyn tai väärän öljyalaadun kanssa.
3. Likaantuneen tai vanhan polttoaineen käyttö, etanolilla käsitellyn bensiinin, jonka etanolipitoisuus on yli 10 % tai vaihtoehtoisten polttoaineiden, kuten nestekaasun tai maakaasun käyttö moottoreissa, joita Briggs & Stratton ei ole alun perin suunnitellut/valmistanut toimimaan sellaisilla polttoaineilla.
4. Lika, joka on päässyt moottoriin, koska ilmanpuhdistin on huollettu tai koottu väärin.
5. Pyörivän ruohonleikkurin leikkausterän iskeytyminen johonkin esineeseen, löysät tai väärin asennetut teränkiinnikkeet, tuulettimek tai muut kampiakseliin kytketyt laitteet tai kiilahihnan liiallinen kireys.
6. Moottoriin liittyvät osat tai kokoonpanot, kuten kytkimet, voimansiirto, laitteiston ohjaimet jne., jotka eivät ole Briggs & Strattonin toimittamia.
7. Ylikuumeneminen, joka johtuu leikkuujätteistä, liasta ja roskista tai jyräjoiden pesistä, jotka tukkivat jäähdytysripiöiden tai juoksupyörän alueen, tai moottorin käyttämisestä ilman riittävää ilmanvaihtoa.
8. Liiallinen värinä, joka johtuu ylikierroksista, moottorin löysästä kiinnityksestä, löysistä tai epätasapainossa olevista leikkurin teristä tai tuulettimista tai laitteen osien vääränlaisesta kiinnityksestä kampiakseliin.
9. Laitteiston väärinkäyttö, säännöllisen kunnossapidon laiminlyönti, kuljetus, käsittely tai varastointi tai moottorin väärä asennus.

Takuuhuolto on saatavilla vain valtuutettujen Briggs & Stratton -huoltoliikkeiden kautta. Lähimmän valtuutetun huoltoliikkeen löydät verkkosivulla BRIGGSandSTRATTON.COM löytyvän jälleenmyyjäkartan avulla tai soittamalla numeroon 1-800-233-3723 (USA:ssa).

80004537 (Rev.B)

Ce manuel contient des informations relatives à la sécurité afin que vous connaissiez les dangers et risques qui sont liés aux souffleuses à neige et la façon de les éviter. Il contient également des directives sur la bonne utilisation et le bon entretien du moteur. Dans la mesure où Briggs & Stratton Corporation ne connaît pas nécessairement quel équipement ce moteur alimentera, il est important que vous lisiez et compreniez ces directives ainsi que celles se rapportant à l'équipement. **Conserver ces instructions d'origine pour référence future.**

Remarque : Les données et illustrations de ce manuel sont fournies pour votre référence uniquement et peuvent différer en fonction du modèle. Contacter votre revendeur si vous avez des questions.

Pour obtenir des pièces de rechange ou une assistance technique, enregistrez le modèle, le type, les numéros de code ainsi que la date d'acquisition du moteur. Ces numéros sont situés sur le moteur (voir la section **Fonctions et commandes**).

Date d'achat	
Modèle – Type – Coupe du moteur	
Numéro de série du moteur	

Recherche le code à barre 2D se trouvant sur certains moteurs. Lorsque le code est lu avec un appareil 2D, il vous amènera sur notre site Web où vous pourrez trouver une assistance pour ce produit. Les taux de données s'appliquent. Certains pays n'ont peut-être pas une assistance en ligne.



Symbole	Signification	Symbole	Signification
	Risque d'incendie		Risque d'explosion
	Risque de décharge électrique		Danger de fumées toxiques
	Risque de surface chaude		Risque lié au bruit - protection auditive recommandée pour une utilisation prolongée.
	Risque de projection d'objets - porter des lunettes de protection.		Risque d'explosion
	Risque de gelure		Risque d'effet de recul
	Risque d'amputation - pièces mobiles		Risque chimique
	Risque thermique		Corrosif

Recyclage



Tous les emballages, l'huile usagée et les batteries doivent être recyclés conformément aux réglementations publiques applicables.

Sécurité de l'opérateur

Symbole de sécurité et termes indicateurs

Le symbole de sécurité permet d'identifier les informations de sécurité sur les dangers pouvant blesser quelqu'un. Un mot-indicateur (DANGER, AVERTISSEMENT ou ATTENTION) est utilisé avec le symbole d'alerte pour indiquer la probabilité et la gravité potentielle de la blessure. Par ailleurs, un symbole de sécurité peut être utilisé pour représenter le type de danger.

DANGER indique un danger qui, si non évité, **causera la mort ou des blessures graves.**

AVERTISSEMENT indique un danger qui, si non évité, **pourrait causer la mort ou des blessures graves.**

ATTENTION indique un danger qui, si non évité, **pourrait causer des blessures mineures ou modérées.**

AVIS indique une situation qui **pourrait causer des dommages au produit.**

Symboles de risque et leurs significations

Symbole	Signification	Symbole	Signification
	Informations de sécurité sur les dangers pouvant provoquer des dommages corporels.		Lire attentivement le contenu du manuel d'utilisation avant de faire fonctionner l'appareil ou d'intervenir dessus.

Étiquettes de sécurité



AVERTISSEMENT

Certains composants de ce produit et ses accessoires contiennent des produits chimiques reconnus par l'État de Californie comme provoquant des cancers, des malformations congénitales ou d'autres pathologies du système reproductif. Se laver les mains après la manipulation.



AVERTISSEMENT

Les gaz d'échappement de ce moteur contiennent des substances chimiques pouvant causer des cancers, d'anomalies congénitales ou d'autres troubles de la reproduction.



AVERTISSEMENT

Les moteurs Briggs & Stratton ne sont pas conçus et ne doivent pas être utilisés pour motoriser : Les karts de loisirs ; les karts de course ; les véhicules de loisirs pour les enfants et de sport tous-terrains (ATVs) ; les motos ; les hovercrafts ; engins aériens ; ou véhicules utilisés en événements de compétition non approuvés par Briggs & Stratton. Pour plus d'informations concernant les produits destinés à la compétition, consulter www.briggsracing.com. Pour une utilisation avec des quads utilitaires et côte-à-côte, contacter le Centre d'application des moteurs Briggs & Stratton, au +1-866-927-3349. Une application inadaptée au moteur risque d'entraîner de graves blessures voire la mort.

AVIS

Ce moteur est livré sans huile par Briggs & Stratton. Avant de démarrer le moteur, s'assurer d'ajouter de l'huile en suivant les instructions de ce manuel. Si un moteur sans huile est mis en marche, il sera endommagé de manière irréversible et ne sera pas couvert par la garantie.



AVERTISSEMENT



Le carburant et ses vapeurs sont extrêmement inflammables et explosifs.

Un incendie ou une explosion peuvent provoquer des blessures très graves, voire mortelles.

Lors de l'ajout du carburant

- Arrêter le moteur et le laisser refroidir au moins 2 minutes avant de retirer le bouchon du réservoir.
- Remplir le réservoir de carburant à l'extérieur ou dans un endroit bien ventilé.
- Ne pas trop remplir le réservoir de carburant. Pour permettre la dilatation de l'essence, ne pas remplir au-delà du bas du col de remplissage.
- Veiller à tenir l'essence à l'écart des étincelles, des flammes nues, des veilleuses, de la chaleur et de toute autre source d'allumage.
- Vérifier les conduits d'essence, le réservoir, le bouchon du réservoir et les raccords pour y détecter toute fissure ou fuite. Remplacer si nécessaire.
- Si du carburant se répand, attendre jusqu'à ce qu'il s'évapore avant de démarrer le moteur.

Démarrage du moteur

- S'assurer que la bougie, le silencieux, le bouchon du réservoir de carburant et le filtre à air (si présent) sont montés et solidement fixés.
- Ne pas faire tourner le moteur sans la bougie.
- Si le moteur est noyé, placer le starter (si présent) en position OPEN / RUN (OUVERT/MARCHE), amener l'accélérateur (si présent) en position FAST (RAPIDE) et lancer le moteur jusqu'à ce qu'il démarre.

Utilisation de l'équipement

- Ne pas pencher le moteur ou l'équipement à un angle qui risquerait de faire couler de l'essence.
- Ne pas actionner le starter pour arrêter le moteur.
- Ne jamais démarrer ou faire fonctionner le moteur sans le purificateur d'air (si présent) ou sans le filtre à air (si présent).

Remplacement d'huile

- Si l'huile est vidangée par le tube de remplissage du haut, le réservoir de carburant doit être vide pour éviter que le carburant ne s'écoule et provoque un incendie ou une explosion.

En cas de basculement de l'unité pour l'entretien

- S'il est nécessaire de basculer l'équipement au cours de l'entretien, le réservoir de carburant, s'il est monté sur le moteur, doit être vidé, sinon le carburant risque de couler et d'entraîner un incendie ou une explosion.

Transport de l'équipement

- Transporter avec le réservoir de carburant VIDE ou le robinet d'essence en position CLOSED (FERMÉE).

Quand vous entreposer du carburant ou de l'équipement ayant du carburant dans le réservoir

- Les entreposer à l'écart des chaudières, poêles, chauffe-eau ou autres appareils ménagers comportant une veilleuse ou une autre source d'inflammation pouvant enflammer les vapeurs d'essence.



AVERTISSEMENT

La mise en marche du moteur crée une gerbe d'étincelles.

Les étincelles peuvent enflammer les gaz inflammables à proximité.

Ceci pourrait provoquer une explosion ou un incendie.

- S'il y a une fuite de gaz naturel de GPL à proximité, ne pas démarrer le moteur.
- Ne pas utiliser de liquides de démarrage sous pression car leurs vapeurs sont inflammables.



AVERTISSEMENT

RISQUE LIÉ AUX GAZ TOXIQUES. Les gaz d'échappement du moteur contiennent du monoxyde de carbone, gaz toxique qui pourrait vous tuer en l'espace de quelques minutes. Il est INVISIBLE et INODORE. Même si vous n'inhalez pas de gaz d'échappement, vous courez toujours le risque de respirer du monoxyde de carbone. Si vous commencez à vous sentir malade, pris de vertiges ou faible quand vous utilisez cette machine, coupez le moteur et allez respirer IMMÉDIATEMENT de l'air frais. Consultez un médecin. Il se peut que vous soyez victime d'un empoisonnement au monoxyde de carbone.

- Utiliser cet équipement UNIQUEMENT à l'extérieur et à l'écart des fenêtres, portes et aérations pour réduire le risque d'accumulation de monoxyde de carbone et son éventuelle propagation à des espaces occupés.

- Installer des avertisseurs de monoxyde de carbone fonctionnant à piles ou alimentés par câble avec batterie de secours selon les directives du fabricant. Les détecteurs de fumée ne peuvent pas déceler la présence de monoxyde de carbone.
- NE PAS faire fonctionner ce produit dans des maisons, garages, sous-sols, vides sanitaires, remises de jardin ou d'autres espaces partiellement confinés, même si des ventilateurs, des portes ou des fenêtres ouvertes facilitent la ventilation. Le monoxyde de carbone peut s'accumuler rapidement dans ces espaces et subsister pendant des heures, même après l'arrêt de l'équipement.
- TOUJOURS positionner cet équipement dans le sens du vent et orienter l'échappement du moteur dans la direction opposée aux espaces occupés.



AVERTISSEMENT

L'enroulement rapide de la corde du lanceur (effet de rebond) aura pour effet de tirer la main et le bras vers le moteur en moins de temps qu'on ne se l'imagine.

Cela risque d'entraîner des fêlures, des fractures, des ecchymoses ou des foulures.

- Pour démarrer le moteur, tirer lentement sur la corde de lanceur jusqu'à sentir une résistance puis tirer rapidement pour éviter l'effet de rebond.
- Retirer tout équipement extérieur/charge avant de démarrer le moteur.
- Les éléments directement couplés à l'équipement, tels que les lames, turbines, poulies, engrenages, entre autres, devront être bien fixés.



AVERTISSEMENT

Les pièces rotatives peuvent toucher ou enchevêtrer les mains, les pieds, les cheveux, les vêtements ou les accessoires.

Le résultat peut en être une amputation ou une lacération grave.

- Ne faire fonctionner l'équipement qu'avec les protections en place.
- Ne pas approcher les mains et les pieds des pièces en mouvement.
- Attacher les cheveux longs et retirer les bijoux.
- Ne pas porter de vêtements amples, de ceintures larges pendantes ou tout vêtement risquant d'être happé.



AVERTISSEMENT

Les moteurs en marche produisent de la chaleur. Les pièces du moteur, et plus particulièrement le silencieux, deviennent extrêmement chaudes.

En cas de contact, de graves brûlures peuvent se produire.

Les débris combustibles comme les feuilles, l'herbe, les broussailles, entre autres, peuvent s'enflammer.

- Laisser refroidir le silencieux, le cylindre du moteur et les ailettes avant de les toucher.
- Retirer les débris accumulés autour du silencieux et du cylindre.
- L'utilisation ou le fonctionnement du moteur sur des terrains forestiers, broussailloux ou herbeux constituent une violation de la Section 4442 du Code des ressources publiques de Californie, à moins que l'échappement ne soit équipé d'un pare-étincelles, tel que défini dans la Section 4442, maintenu en bon état de marche. D'autres états ou juridictions fédérales peuvent appliquer des lois similaires. Contacter le fabricant, le distributeur ou le fournisseur d'origine de la machine pour obtenir un pare-étincelles conçu pour le système d'échappement installé sur ce moteur.



AVERTISSEMENT

Une étincelle accidentelle peut provoquer un incendie ou un choc électrique.

Un démarrage accidentel peut entraîner un emmêlement, une amputation traumatique ou une lacération.

Risque d'incendie

Avant d'effectuer des réglages ou des réparations

- Débrancher le fil de bougie et l'attacher à bonne distance de la bougie.
- Débrancher le câble Négatif de la batterie (uniquement pour les moteurs à démarrage électrique).
- N'utiliser que les outils adaptés.

- Ne pas modifier le ressort du régulateur, les tringles ou autres pièces pour augmenter le régime du moteur.
- Les pièces de rechange doivent être les mêmes et installées dans la même position que les pièces d'origine. D'autres pièces peuvent ne pas fonctionner aussi bien, peuvent endommager la machine et peuvent provoquer des blessures.
- Ne pas taper sur le volant moteur avec un marteau ou un objet dur ; cela pourrait entraîner une rupture ultérieure du volant pendant que le moteur fonctionne.

Lors d'un test d'étincelle :

- Utiliser un contrôleur homologué.
- Ne pas vérifier l'étincelle quand la bougie est retirée.






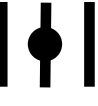



Fonctions et commandes

Commandes du moteur

Comparer l'illustration (Figure : 1, 2, 3) avec votre moteur afin de vous familiariser avec l'emplacement des diverses fonctions et commandes.

- A. Numéros d'identification du moteur **Modèle - Type - Code**
- B. Bougie
- C. Réservoir de carburant et bouchon
- D. Purificateur d'air
- E. Poignée de la corde de lanceur
- F. Jauge
- G. Silencieux, protège-silencieux (si présent), pare-étincelles (si présent)
- H. Grille d'entrée d'air
- I. Commande des gaz (si présente)
- J. Starter (si présent)
- K. Robinet d'essence (si présent)
- L. Commutateur d'arrêt (si présent)

Symboles des commandes du moteur et significations

Symbole	Définition	Symbole	Définition
	Régime moteur - FAST (RAPIDE)		Régime moteur - SLOW (LENT)
	Régime moteur - STOP (ARRÊT)		ON - OFF (MARCHE - ARRÊT)
	Démarrage du moteur - Starter CLOSED (FERMÉ)		Démarrage du moteur - Starter OPEN (OUVERT)
	Bouchon du carburant Robinet d'essence - OUVERT		Robinet d'essence - FERMÉ
	Niveau de carburant - Ne pas trop remplir		

Fonctionnement

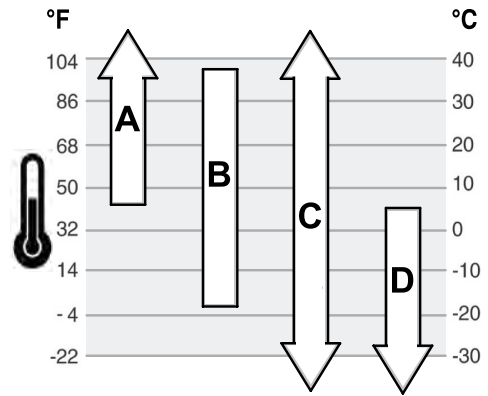
Recommandations concernant l'huile

Capacité d'huile : Voir la section **Spécifications**.

Nous recommandons l'utilisation des huiles certifiées par la garantie Briggs & Stratton pour obtenir les meilleures performances. D'autres huiles détergentes de haute qualité

sont acceptables si elles sont classées SF, SG SH, SJ ou supérieur. Ne pas utiliser d'additifs spéciaux.

La température extérieure détermine la viscosité de l'huile convenant au moteur. Utiliser le tableau pour sélectionner la meilleure viscosité qui correspond à la gamme de température extérieure attendue.



A	SAE 30 - L'emploi de cette huile en dessous de 4 °C (40 °F) rend le démarrage difficile.
B	10W-30 - L'emploi de cette huile au-dessus de 27 °C (80 °F), entraîne une consommation d'huile supérieure à la normale. Vérifier le niveau d'huile plus souvent.
C	5W-30 synthétique
D	5W-30

Vérifier le niveau d'huile

Voir Figure : 4

Avant de vérifier le niveau ou de faire l'appoint d'huile

- S'assurer que le moteur est de niveau.
- Débarrasser de tout débris la zone de remplissage d'huile.

1. Retirer la jauge de niveau d'huile (A, Figure 4) et l'essuyer avec un chiffon propre.
2. Reposer la jauge de niveau d'huile et la serrer (A, Figure 4).
3. Retirer la jauge et vérifier le niveau d'huile. Il doit atteindre le haut du repère plein (B, Figure 4) sur la jauge.
4. Si le niveau est insuffisant, ajouter de l'huile en l'incorporant par l'orifice de remplissage du moteur (C, Figure 4). **Ne pas trop remplir.** Après avoir ajouté de l'huile, attendre une minute puis vérifier à nouveau le niveau d'huile.
5. Reposer la jauge de niveau d'huile et la serrer (A, Figure 4).

Recommandations de carburant

Le carburant doit répondre aux critères suivants :

- Essence sans plomb, propre et fraîche.
- Au minimum 87 octanes/87 AKI (91 RON). Utilisation en haute altitude, voir ci-dessous.
- De l'essence contenant jusqu'à 10 % d'éthanol (carburol) est acceptable.

AVIS Ne pas utiliser d'essence non approuvée telle que l'E15 ou l'E85. Ne pas mélanger de l'huile avec l'essence ou modifier le moteur afin qu'ils puissent utiliser des carburants alternatifs. L'utilisation de carburants non approuvés peut endommager les composants, ce qui n'est pas couvert par la garantie.

Pour empêcher que de la gomme ne se forme dans le circuit d'alimentation, mélanger un stabilisateur de carburant à l'essence. Voir **Entreposage**. Tous les carburants ne sont pas identiques. Si des problèmes de démarrage ou de performance se produisent, changer de fournisseur de carburant ou changer de marque. Ce moteur est certifié pour fonctionner à l'essence. Le système de contrôle des émissions pour ce moteur est de type EM (Engine Modifications).

Haute altitude

À des altitudes supérieures à 1 524 mètres (5 000 pieds), de l'essence d'au minimum 85 octane/85 AKI (89 RON) est acceptable.

Pour conserver les caractéristiques d'émission, un réglage spécial haute altitude est nécessaire. Faire fonctionner le moteur sans ce réglage fait baisser ses performances, augmenter la consommation de carburant et les émissions. Contacter un Réparateur agréé

Briggs & Stratton pour davantage d'informations sur le réglage haute altitude. Le fonctionnement du moteur à une altitude inférieure à 762 mètres (2 500 pieds) avec le kit haute altitude n'est pas recommandé.

Pour les moteurs à injection électronique (EFI), le réglage haute altitude est inutile.

Faire le plein

Voir Figure : 5



AVERTISSEMENT

L'essence et ses vapeurs sont extrêmement inflammables et explosifs.

Un incendie ou une explosion peuvent provoquer de très graves blessures ou être mortelles.

Pour faire le plein

- Arrêter le moteur et le laisser refroidir au moins 2 minutes avant de retirer le bouchon du réservoir.
 - Remplir le réservoir de carburant à l'extérieur ou dans un local extrêmement bien ventilé.
 - Ne pas trop remplir le réservoir de carburant. Pour permettre la dilatation de l'essence, ne pas remplir au-delà du bas du col de remplissage.
 - Veiller à tenir l'essence à l'écart des étincelles, des flammes nues, des veilleuses, de la chaleur et de toute autre source d'ignition.
 - Contrôler régulièrement que les durites, le réservoir, le bouchon et les raccords de réservoir ne présentent ni fissures, ni fuites. Remplacer si nécessaire.
 - Si du carburant a été renversé, attendre son évaporation complète avant de démarrer le moteur.
1. Nettoyer le pourtour du bouchon d'essence de la poussière et des débris. Enlever le bouchon d'essence.
 2. Remplir le réservoir (A, Figure 5) d'essence. Pour permettre la dilatation du carburant, ne pas remplir au-delà du bas du la base du col de remplissage. (B).
 3. Remettre le bouchon du réservoir en place.

Démarrage et arrêt du moteur

Voir Figure : 6, 7, 8, 9

Démarrage du moteur



AVERTISSEMENT

L'enroulement rapide de la corde du lanceur (effet de rebond) aura pour effet de tirer la main et le bras vers le moteur en moins de temps qu'on ne se l'imagine.

Cela risque d'entraîner des fêlures, des fractures, des ecchymoses ou des foulures.

- Pour démarrer le moteur, tirer lentement sur la corde de lanceur jusqu'à sentir une résistance puis tirer rapidement pour éviter l'effet de rebond.



AVERTISSEMENT

Le carburant et ses vapeurs sont extrêmement inflammables et explosifs.

Un incendie ou une explosion peuvent provoquer des blessures très graves, voire mortelles.

Démarrage du moteur

- S'assurer que la bougie, le silencieux, le bouchon du réservoir de carburant et le filtre à air (si présent) sont montés et solidement fixés.
- Ne pas faire tourner le moteur sans la bougie.
- Si le moteur est noyé, placer le starter (si présent) en position OPEN / RUN (OUVERT/MARCHE), amener l'accélérateur (si présent) en position FAST (RAPIDE) et lancer le moteur jusqu'à ce qu'il démarre.



AVERTISSEMENT

RISQUE LIÉ AUX GAZ TOXIQUES. Les gaz d'échappement du moteur contiennent du monoxyde de carbone, gaz toxique qui pourrait vous tuer en l'espace de quelques minutes. Il est INVISIBLE et INODORE. Même si vous n'inhalez pas de gaz d'échappement, vous courez toujours le risque de respirer du monoxyde de carbone. Si vous commencez à vous sentir malade, pris de vertiges ou faible quand vous utilisez cette machine, couper le moteur et sortir IMMÉDIATEMENT respirer de l'air frais. Consulter un médecin. Il se peut que vous soyez victime d'un empoisonnement au monoxyde de carbone.

- Utiliser cet équipement UNIQUEMENT à l'extérieur et à l'écart des fenêtres, portes et aérations pour réduire le risque d'accumulation de monoxyde de carbone et son éventuelle propagation à des espaces occupés.
- Installer des avertisseurs de monoxyde de carbone fonctionnant à piles ou alimentés par câble avec batterie de secours selon les directives du fabricant. Les détecteurs de fumée ne peuvent pas déceler la présence de monoxyde de carbone.
- NE PAS faire fonctionner ce produit dans des maisons, garages, sous-sols, vides sanitaires, remises de jardin ou d'autres espaces partiellement confinés, même si des ventilateurs, des portes ou des fenêtres ouvertes facilitent la ventilation. Le monoxyde de carbone peut s'accumuler rapidement dans ces espaces et subsister pendant des heures, même après l'arrêt de l'équipement.
- TOUJOURS positionner cet équipement dans le sens du vent et orienter l'échappement du moteur dans la direction opposée aux espaces occupés.

AVIS Ce moteur est livré sans huile par Briggs & Stratton. Avant de démarrer le moteur, s'assurer d'ajouter de l'huile en suivant les instructions de ce manuel. Si un moteur sans huile est mis en marche, il sera endommagé de manière irréversible et ne sera pas couvert par la garantie.

Déterminer le type du système de démarrage

Avant de mettre le moteur en marche, vous devez déterminer le type du système de démarrage dont il est équipé. Votre moteur peut être pourvu des systèmes suivants.

- **Système ReadyStart®** : Avec volet de départ automatique thermo-commandé. Il n'a ni starter manuel ni amorceur.
- **Système de starter** : Ce moteur comprend un starter utilisé pour le démarrage à basse température. Certains modèles sont équipés d'une commande de starter séparée alors que d'autres sont équipés d'une combinaison starter/commande d'accélérateur. Ce type de moteur ne comporte pas de poire d'amorçage.

Pour démarrer le moteur, suivre les instructions correspondant au type de système de démarrage.

Remarque : L'équipement peut être doté de commandes à distance. Se reporter au manuel de l'équipement pour connaître l'emplacement et l'utilisation des commandes à distance.

Système ReadyStart®

1. Vérifier l'huile moteur. Se reporter à la section **Vérifier le niveau d'huile**.
2. S'assurer que les commandes d'entraînement de l'équipement, si présentes, sont débrayées.
3. Amener le robinet d'essence (A, Figure 6) éventuellement présent en position OPEN (OUVERT).
4. Amener la commande des gaz éventuellement présente (B, Figure 6) sur la position FAST (RAPIDE). Faire fonctionner le moteur en position FAST (RAPIDE).
5. Appuyer sur le commutateur d'arrêt éventuellement prévu (D, Figure 7) pour l'amener à la position ON (MARCHE).
6. Si le produit est équipé d'un levier d'arrêt du moteur (C, Figure 8), maintenir ce levier contre la poignée.
7. **Lanceur, éventuellement présent** : Tenir fermement la poignée de corde du lanceur (G, Figure 6). Tirer la poignée de la corde du lanceur lentement jusqu'à sentir une résistance puis tirer rapidement.



AVERTISSEMENT

L'enroulement rapide de la corde du lanceur (effet de rebond) aura pour effet de tirer la main et le bras vers le moteur en moins de temps qu'on ne se l'imagine. Cela risque d'entraîner des fêlures, des fractures, des ecchymoses ou des foulures. Pour démarrer le moteur, tirer lentement sur la corde de lanceur jusqu'à sentir une résistance puis tirer rapidement pour éviter l'effet de rebond.

8. **Démarrateur électrique, éventuellement présent** : Tourner l'interrupteur de démarrage électrique sur la position ON/START.

AVIS Pour prolonger la durée de vie du démarreur, ne l'utiliser que pendant des cycles courts (cinq secondes maximum). Attendre une minute avant de recommencer.

Remarque : Si le moteur ne démarre pas malgré plusieurs tentatives, prendre contact avec le Réparateur le plus proche, consulter la page **BRIGGSandSTRATTON.com** ou appeler le **1-800-233-3723** (aux États-Unis).

Système de starter

- Vérifier l'huile moteur. Se reporter à la section **Vérifier le niveau d'huile**.
- S'assurer que les commandes d'entraînement de l'équipement, si présentes, sont débrayées.
- Amener le robinet d'essence (A, Figure 6) éventuellement présent en position OPEN (OUVERT).
- Amener la commande des gaz éventuellement présente (B, Figure 6) sur la position FAST (RAPIDE). Faire fonctionner le moteur en position FAST (RAPIDE).
- Amener la commande de starter (F, Figure 9) sur la position CLOSED (FERMÉE).

Remarque : Habituellement, le starter n'est pas nécessaire pour redémarrer un moteur chaud.

- Appuyer sur le commutateur d'arrêt éventuellement prévu (D, Figure 9) pour l'amener à la position ON (MARCHÉ).
- Si le produit est équipé d'un levier d'arrêt du moteur (C, Figure 8), maintenir ce levier contre la poignée.
- Lanceur, éventuellement présent** : Tenir fermement la poignée de corde du lanceur (G, Figure 6). Tirer la poignée de la corde du lanceur lentement jusqu'à sentir une résistance puis tirer rapidement.



AVERTISSEMENT

L'enroulement rapide de la corde du lanceur (effet de rebond) aura pour effet de tirer la main et le bras vers le moteur en moins de temps qu'on ne se l'imagine. Cela risque d'entraîner des fêlures, des fractures, des ecchymoses ou des foulures. Pour démarrer le moteur, tirer lentement sur la corde de lanceur jusqu'à sentir une résistance puis tirer rapidement pour éviter l'effet de rebond.

- Démarrateur électrique, éventuellement présent** : Tourner l'interrupteur de démarrage électrique sur la position ON/START.

AVIS Pour prolonger la durée de vie du démarreur, ne l'utiliser que pendant des cycles courts (cinq secondes maximum). Attendre une minute avant de recommencer.

- Au fur et à mesure que le moteur se réchauffe, tourner le bouton de commande de starter (F, Figure 9) sur la position OPEN/RUN (OUVERT/MARCHÉ).

Remarque : Si le moteur ne démarre pas malgré plusieurs tentatives, prendre contact avec le Réparateur le plus proche, consulter la page **BRIGGSandSTRATTON.com** ou appeler le **1-800-233-3723** (aux États-Unis).

Arrêt du moteur



AVERTISSEMENT



Le carburant et ses vapeurs sont extrêmement inflammables et explosifs.

Un incendie ou une explosion peuvent provoquer des blessures très graves, voire mortelles.

- Ne pas étrangler le carburateur, éventuellement présent, pour arrêter le moteur.
- Levier d'arrêt du moteur, si prévu** : Relâcher le levier d'arrêt du moteur (E, Figure 8).
Commutateur d'arrêt, si présent : Déplacer le commutateur d'arrêt (D, Figure 7, 9) en position d'arrêt.
Commande des gaz, si présente : Amener la commande des gaz (B, Figure 6) sur la position STOP (ARRÊT).
Clé de démarrage électrique, si prévue : Tourner la clé de démarrage électrique sur la position OFF/STOP. Retirer la clé et la garder dans un endroit sûr hors de portée des enfants.
 - Après l'arrêt du moteur, amener le robinet d'essence éventuellement présent (A, Figure 6) en position CLOSED (FERMÉ).

Entretien

AVIS Si le moteur est basculé pendant l'entretien, le réservoir de carburant doit être vidé et le côté où se trouve la bougie doit être en haut. Si le réservoir de carburant n'est pas vidé et si le moteur est basculé dans toute autre direction, il sera peut-être difficile de le faire démarrer par suite d'huile ou de carburant contaminant le filtre à air et/ou la bougie.



AVERTISSEMENT

S'il est nécessaire de basculer l'équipement au cours de l'entretien, le réservoir de carburant, s'il est monté sur le moteur, doit être vidé, sinon le carburant risque de couler et d'entraîner un incendie ou une explosion.

Nous vous recommandons de confier à un Réparateur Briggs & Stratton agréé tout l'entretien de votre moteur et de ses pièces.

AVIS Tous les composants du moteur utilisés lors de sa fabrication doivent rester en place pour un bon fonctionnement.



AVERTISSEMENT



Une étincelle accidentelle peut provoquer un incendie ou une décharge électrique.

Un démarrage accidentel peut entraîner un emmêlement, une amputation traumatique ou une lacération.

Risque d'incendie

Avant d'effectuer des réglages ou des réparations :

- Débrancher le fil de la bougie d'allumage et le tenir à l'écart de la bougie.
- Enlever la batterie du support de batterie du moteur. Dans certains cas, la batterie peut constituer la clé de l'équipement.
- N'utiliser que les outils adaptés.
- Ne pas modifier le ressort du régulateur, les tringles ou autres pièces pour augmenter le régime du moteur.
- Les pièces de rechange doivent être d'origine et installées de la même façon que les pièces remplacées. D'autres pièces peuvent ne pas fonctionner aussi bien, peuvent endommager la machine et peuvent provoquer des blessures.
- Ne pas taper sur le volant moteur avec un marteau ou un objet dur ; cela pourrait entraîner une rupture ultérieure du volant pendant que le moteur fonctionne.

Contrôle de l'étincelle :

- Utiliser un contrôleur homologué.
- Ne pas contrôler l'étincelle avec la bougie retirée.

Service du Contrôle des émissions

L'entretien, le remplacement ou la réparation des dispositifs et systèmes de contrôle des émissions peuvent être effectués par tout établissement de réparation de moteurs hors route ou par une personne qualifiée. Cependant, pour obtenir un service après-vente « gratuit » du contrôle des émissions, le travail doit être effectué par un revendeur agréé de l'usine. Voir la déclaration sur le contrôle des émissions.

Calendrier d'entretien

Avant chaque utilisation
<ul style="list-style-type: none"> Vérification du niveau d'huile moteur Nettoyage autour du silencieux et des commandes Nettoyage de la grille d'entrée d'air
Toutes les 25 heures ou une fois par an
<ul style="list-style-type: none"> Nettoyage du filtre à air ¹ Nettoyer le préfiltre (le cas échéant)
Toutes les 50 heures ou une fois par an
<ul style="list-style-type: none"> Entretien du système d'échappement
Tous les ans
<ul style="list-style-type: none"> Remplacement de la bougie Remplacement du filtre à air Remplacer le préfiltre, si présent Entretien du circuit de refroidissement ¹

¹ À nettoyer plus fréquemment dans des conditions d'utilisation en atmosphère poussiéreuse ou chargée de débris en suspension.

Carburateur et régime moteur

Ne jamais procéder à des réglages du carburateur ou du régime moteur. Le carburateur a été réglé à l'usine pour fonctionner de manière efficace dans la plupart des conditions. Ne pas altérer le ressort du régulateur, la tringlerie ou toute autre pièce pour augmenter le régime du moteur. Si un réglage s'impose, s'adresser à une Station Service Briggs & Stratton agréée.

AVIS Le constructeur de l'équipement spécifie le régime maximal du moteur tel qu'installé sur l'équipement. **Ne pas dépasser** ce régime. En cas de doute quant au régime maximal pour l'équipement ou au régime moteur configuré en sortie d'usine, s'adresser à une Station Service Briggs & Stratton agréée. Pour garantir la sécurité et le bon fonctionnement de l'équipement, le régime moteur ne doit être réglé que par un technicien de service qualifié.

Entretien de la bougie

Voir Figure : 10

Vérifier l'écartement des électrodes (A, Figure 10) avec une jauge à fil (B). Régler l'écartement des électrodes au besoin. Remettre la bougie et la serrer au couple recommandé. Pour régler l'écartement et trouver le couple de serrage, voir la section **Spécifications**.

Remarque : Dans certains pays, la législation impose l'emploi de bougies à résistance pour supprimer les parasites à l'allumage. Si ce moteur était équipé d'une bougie avec résistance, utiliser le même type de bougie lors de son remplacement.

Entretien du système d'échappement



Un moteur en marche produit de la chaleur. Les pièces du moteur, et plus particulièrement le silencieux, deviennent extrêmement chaudes.

Les toucher peut provoquer de graves brûlures.

Les débris combustibles comme les feuilles, l'herbe, les broussailles peuvent s'enflammer.

- Laisser le silencieux, le cylindre du moteur et les ailettes refroidir avant de les toucher.
- Retirer les débris accumulés autour du silencieux et du cylindre.
- L'utilisation ou le fonctionnement du moteur sur des terrains forestiers, broussailleux ou herbeux constituent une violation de la Section 4442 du California Public Resource Code, sauf si le système d'échappement est équipé d'un pare-étincelles, tel que défini dans la Section 4442, en bon état de fonctionnement. D'autres états ou juridictions fédérales peuvent appliquer des lois similaires. Contacter le fabricant, le distributeur ou le fournisseur d'origine de la machine pour obtenir un pare-étincelles conçu pour le système d'échappement installé sur ce moteur.

Retirer les débris accumulés autour du silencieux et du cylindre. Inspecter le silencieux à la recherche de fissures, de corrosion ou autre dommage. Retirer le déflecteur ou le pare-étincelles, le cas échéant, et inspecter s'ils sont endommagés ou obstrués par des dépôts de carbone. En cas de défaut constaté, remplacer les pièces défectueuses avant de réutiliser l'équipement.



Les pièces de rechange doivent être d'origine et installées de la même façon que les pièces remplacées. D'autres pièces peuvent ne pas fonctionner aussi bien, peuvent endommager la machine et peuvent provoquer des blessures.

Changement de l'huile moteur

Voir Figure : 11, 12, 13



Le carburant et ses vapeurs sont extrêmement inflammables et explosifs.

Un incendie ou une explosion peuvent provoquer des blessures très graves, voire mortelles.

Les moteurs en marche produisent de la chaleur. Les pièces du moteur, et plus particulièrement le silencieux, deviennent extrêmement chaudes.

En cas de contact, de graves brûlures peuvent se produire.

- Pour effectuer la vidange à partir du tube de remplissage du haut, le réservoir de carburant doit être vidé, sinon une fuite de carburant peut causer un incendie ou une explosion.
- Laisser refroidir le silencieux, le cylindre du moteur et les ailettes avant de les toucher.

Vérifier le niveau d'huile et en ajouter le cas échéant. Voir la section Vérifier le niveau d'huile/Appoint II est inutile de changer l'huile, mais si vous voulez le faire, suivez la procédure ci-dessous.

L'huile usagée constitue un déchet dangereux qui doit être éliminé de façon appropriée. Ne pas la jeter avec les déchets ménagers. Se renseigner sur les lieux de collecte ou de recyclage auprès des autorités locales, du centre de services ou du concessionnaire.

Vidange de l'huile

L'huile doit être vidangée à partir du tube de remplissage du haut.

1. Quand le moteur est arrêté mais encore chaud, débrancher le fil de la bougie (D, Figure 11) et le tenir à l'écart de la bougie (E).
2. Retirer la jauge (A, Figure 12).
3. Si la vidange s'effectue à partir du tube de remplissage du haut (C, Figure 13), tenir l'extrémité de la bougie (E) à l'écart du moteur. Vidanger l'huile dans un récipient homologué.



Pour effectuer la vidange à partir du tube de remplissage du haut, le réservoir de carburant doit être vidé, sinon une fuite de carburant peut causer un incendie ou une explosion. Pour vider le réservoir de carburant, faire tourner le moteur jusqu'à ce qu'il s'arrête par manque de carburant.

Ajout d'huile

- Mettre le moteur de niveau.
- Nettoyer le pourtour de l'orifice de remplissage de tout débris.
- Voir la section **Spécifications** pour connaître la capacité d'huile.

1. Sortir la jauge (A, Figure 12) et la nettoyer avec un chiffon propre.
2. Verser lentement l'huile par l'orifice de remplissage du moteur (C, Figure 12). **Ne pas trop remplir.** Après avoir ajouté de l'huile, attendre une minute puis vérifier le niveau d'huile.
3. Remettre la jauge en place et la resserrer (A, Figure 12).
4. Sortir la jauge et vérifier le niveau d'huile. Il doit être au ras de l'indicateur de niveau maximum (B, Figure 12) sur la jauge.
5. Remettre la jauge en place et la resserrer (A, Figure 12).
6. Rebrancher le fil de la bougie (D, Figure 11) sur la bougie (E).

Entretien du filtre à air

Voir Figure : 14



Le carburant et ses vapeurs sont extrêmement inflammables et explosifs.

Un incendie ou une explosion peuvent provoquer des blessures très graves, voire mortelles.

- Ne jamais démarrer ou faire fonctionner le moteur sans l'ensemble de filtre à air (si présent) ou sans le filtre à air (si présent).

AVIS Ne pas utiliser d'air comprimé ou de solvant pour nettoyer le filtre. L'air comprimé peut endommager le filtre et les solvants le dissoudre.

Se reporter au **Calendrier d'entretien** pour connaître les prescriptions d'entretien.

Filtre à air en papier

1. Ouvrir le couvercle (B, Figure 14).
2. Enlever le filtre (C, Figure 14).
3. Enlever le préfiltre (E, Figure 14), si présent, du filtre. Pour faire tomber les débris, tapoter doucement le filtre sur une surface dure. Si le filtre est trop sale, le remplacer par un neuf.
4. Laver le préfiltre avec un liquide détergent et de l'eau. Bien le laisser sécher à l'air libre. **Ne pas** huiler le préfiltre.
5. Monter le préfiltre sec, si présent, sur le filtre.
6. Installer le filtre (C, Figure 14).
7. Fermer le couvercle (B, Figure 14).

Entretien du système de refroidissement



Un moteur en marche produit de la chaleur. Les pièces du moteur, et plus particulièrement le silencieux, deviennent extrêmement chaudes.

Les toucher peut provoquer de graves brûlures.

Les débris combustibles comme les feuilles, l'herbe, les broussailles, entre autres, peuvent s'enflammer.

- Laisser le silencieux, le cylindre du moteur et les ailettes refroidir avant de les toucher.
- Retirer les débris accumulés autour du silencieux et du cylindre.

AVIS Ne pas utiliser d'eau pour nettoyer le moteur. L'eau peut contaminer le système d'alimentation en essence. Utiliser une brosse ou un chiffon sec pour nettoyer le moteur.

Ce moteur est refroidi par air. De la poussière ou des débris peuvent affecter le débit d'air et faire chauffer le moteur, ce qui réduit ses performances et sa durée de vie.

1. Utiliser une brosse ou un chiffon sec pour enlever les débris de la grille d'entrée d'air.
2. Nettoyer les biellettes, les ressorts et les commandes.
3. Ne pas laisser les débris combustibles s'accumuler autour et derrière le silencieux d'échappement, si prévu.
4. S'assurer que les ailettes du radiateur d'huile, si prévu, sont exemptes de saleté et de débris.

Avec le temps, des débris peuvent s'accumuler dans les ailettes de refroidissement du cylindre et entraîner une surchauffe de celui-ci. Ces débris ne sont pas visibles sans un démontage partiel du moteur. Pour cette raison, faire procéder par un Réparateur Briggs & Stratton agréé à une inspection et à un nettoyage du système de refroidissement à air selon les prescriptions du **Programme d'entretien**.

Entreposage



Le carburant et ses vapeurs sont extrêmement inflammables et explosifs.

Un incendie ou une explosion peuvent provoquer des blessures très graves, voire mortelles.

Entreposage de carburant ou d'équipements dont le réservoir contient du carburant

- Les entreposer à l'écart des chaudières, poêles, chauffe-eau ou autres appareils ménagers comportant une veilleuse ou une autre source d'inflammation pouvant enflammer les vapeurs d'essence.

AVIS Ranger le levier du moteur (position normale de fonctionnement). Pour obtenir des instructions d'entreposage supplémentaires, se reporter au manuel de l'équipement.

Système d'alimentation

L'essence peut s'évaporer quand on la stocke pendant plus de 30 jours. De l'essence évaporée provoque des dépôts d'acide et de gomme dans le système d'alimentation ou sur les principales pièces du carburateur. Pour maintenir l'essence en état, utiliser le **stabilisateur et agent de traitement de carburant à formule avancée de Briggs & Stratton**, disponible partout où les pièces de rechange d'origine Briggs & Stratton sont vendues.

Il n'est pas nécessaire de vidanger l'essence du moteur si un stabilisateur est ajouté conformément aux instructions. Faire tourner le moteur pendant deux (2) minutes pour faire circuler le stabilisateur dans le système d'alimentation avant le stockage.

Si l'essence dans le moteur n'a pas été traitée avec un stabilisateur, elle doit être vidangée dans un récipient adapté. Faire fonctionner le moteur jusqu'à ce qu'il s'arrête en panne

sèche. L'utilisation d'un stabilisateur d'essence dans le récipient de stockage est recommandée pour en conserver la fraîcheur.

Huile moteur

Aucune vidange n'est requise, mais si vous le souhaitez, changez l'huile lorsque le moteur est chaud. Voir la section **Changement de l'huile moteur**.

Diagnostic

Pour obtenir de l'aide, prendre contact avec le Réparateur le plus proche, consulter la page **BRIGGSandSTRATTON.com** ou appeler le **1-800-233-3723** (aux États-Unis).

Spécifications

Modèle : 100000	
Cylindrée	9.93 ci (163 cc)
Alésage	2.688 in (68,28 mm)
Course	1.75 in (44,45 mm)
Capacité d'huile	15 oz (,44 l)
Écartement des électrodes de bougie	.030 in (,76 mm)
Couple de serrage de bougie	180 lb-in (20 Nm)
Entrefer volant/bobine	.006 - .014 in (,15 - ,36 mm)
Jeu de soupape d'admission	.004 - .008 in (,10 - ,20 mm)
Jeu de soupape d'échappement	.004 - .008 in (,10 - ,20 mm)

Modèle : 093J00	
Cylindrée	9.15 ci (150 cc)
Alésage	2.583 in (65,60 mm)
Course	1.75 in (44,45 mm)
Capacité d'huile	15 oz (,44 l)
Écartement des électrodes de bougie	.020 in (,51 mm)
Couple de serrage de bougie	180 lb-in (20 Nm)
Entrefer volant/bobine	.006 - .014 in (,15 - ,36 mm)
Jeu de soupape d'admission	.004 - .008 in (,10 - ,20 mm)
Jeu de soupape d'échappement	.004 - .008 in (,10 - ,20 mm)

La puissance du moteur diminuera de 3,5 % à chaque palier d'altitude de 300 mètres (par rapport au niveau de la mer) et de 1 % tous les 5,6 °C à partir de 25 °C. Le moteur fonctionne de façon satisfaisante à un angle allant jusqu'à 15°. Voir les limites acceptables des pentes dans le manuel de fonctionnement de l'équipement.

Pièces de rechange - Modèle : 100000, 093J00	
Pièce de rechange	Référence de pièce
Filtre à air (voir Figure 14)	593260
Filtre à air, préfiltre (voir Figure 14)	594055
Huile - SAE 30	100113
Stabilisateur et agent de traitement de carburant à formule avancée	100117, 100120
Bougie à résistance (Modèle 100000)	594056
Bougie à résistance (Modèle 093J00)	692051
Clé à bougie	19576
Contrôleur	19368

Nous vous recommandons de confier à un Réparateur Briggs & Stratton agréé tout l'entretien de votre moteur et de ses pièces.

Puissances nominales : La puissance brute de chaque modèle de moteur à essence est indiquée conformément au Code J1940 (procédure de calcul de la puissance et du couple des petits moteurs) de la norme SAE (Society of Automotive Engineers), et elle a été obtenue conformément à la norme SAE J1995. Les valeurs de couple sont calculées à 2 600 tr/min pour les moteurs dont l'étiquette porte la mention « RPM » et à 3 060 tr/min pour tous les autres. Les valeurs en CV sont dérivées à 3 600 tr/min. Les courbes de puissance brute peuvent être consultées sur le site www.BRIGGSandSTRATTON.COM. Les valeurs données pour la puissance nette sont mesurées avec l'échappement ou le filtre à air installé tandis que les valeurs données pour la puissance brute sont recueillies sans ces accessoires. La puissance brute réelle du moteur sera plus élevée que la puissance nette du moteur et est affectée, entre autres, par les conditions atmosphériques de fonctionnement et les variations d'un moteur à l'autre. Compte tenu de la grande variété

de machines sur lesquelles nos moteurs sont utilisés, il se peut que le moteur à essence ne développe pas la puissance nominale brute une fois qu'il est monté sur une machine particulière. Cette différence s'explique par un grand nombre de facteurs, y compris, sans toutefois s'y limiter, la diversité des composants du moteur (filtre à air, échappement, admission, refroidissement, carburateur, pompe à essence, etc.), limites d'utilisation, conditions ambiantes d'utilisation (température, humidité, altitude) et variations d'un moteur à l'autre. Pour des raisons de fabrication et de capacité limitées, Briggs & Stratton est susceptible de remplacer ce modèle par un moteur plus puissant.

Garantie

Pièces de moteur Briggs & Stratton

En vigueur à partir de janvier 2016

Garantie limitée

Briggs & Stratton réparera ou remplacera gratuitement, pendant la période de garantie spécifiée ci-dessous, toute pièce présentant un défaut de matière ou de fabrication ou les deux. Les frais de transport du produit destiné à être réparé ou remplacé au titre de la présente garantie restent à charge de l'acheteur. Cette garantie est applicable pendant la période et aux conditions prévues dans le présent document. Pour toute intervention sous garantie, chercher le Réparateur agréé le plus proche dans la liste des Réparateurs sur notre site internet www.BRIGGSandSTRATTON.com. L'acheteur doit contacter le Réparateur agréé, puis lui apporter le produit à des fins d'inspection et de test.

Il n'existe aucune autre garantie expresse. Les garanties implicites, y compris celles de la valeur marchande et d'adaptation à un objectif particulier, sont limitées à la période mentionnée ci-après ou à ce que prévoit la loi. Notre responsabilité pour les dégâts provoqués par l'équipement ou les dommages-intérêts accessoires est exclue dans la limite des exclusions autorisées par la loi. Certains états ou pays n'autorisent pas la limitation de la durée de la garantie implicite. Certains états ou pays n'autorisent pas l'exclusion ou la limitation des dégâts provoqués par l'équipement ou des dommages-intérêts accessoires. Dans ce cas, la limitation et l'exclusion mentionnées précédemment ne s'appliquent pas à votre cas. La présente garantie vous accorde certains droits légaux spécifiques et vous pourriez également en avoir d'autres, lesquels peuvent varier d'un État ou d'une province à l'autre et d'un pays à l'autre ⁴.

Période de garantie standard 1, 2

Marque / Type de produit	Usage par un consommateur	Usage à des fins commerciales
Vanguard™ ³	36 mois	36 mois
Commercial Turf Series™ ; Commercial Series	24 mois	24 mois
Moteurs à chemise en fonte à alésage Dura-Bore™	24 mois	12 mois
Tous les autres moteurs Briggs & Stratton	24 mois	3 mois

¹ Ce sont nos conditions standards de garantie mais il peut y avoir, de temps en temps, une garantie supplémentaire qui n'a pas été définie à la date de la publication. Pour consulter les conditions de garantie actuelles de votre moteur, se rendre sur www.BRIGGSandSTRATTON.com ou contacter un Réparateur Briggs & Stratton agréé.

² Il n'y a aucune garantie sur les moteurs utilisés pour l'alimentation de base à la place d'une utilité ou des groupes électrogènes de secours utilisés à des fins commerciales. Les moteurs utilisés dans les courses ou dans les camions commerciaux ou de location ne sont pas garantis.

³ Vanguard installé sur groupes électrogènes de secours : 2 ans en usage privé, aucune garantie pour usage commercial. Vanguard installé sur véhicules utilitaires : 2 ans en usage privé, 2 ans pour usage commercial. Vanguard 3 cylindres à refroidissement liquide : voir le contrat de garantie pour moteurs 3/LC Briggs & Stratton.

⁴ En Australie – Nos produits sont accompagnés de garanties qui ne peuvent être exclues en vertu de la loi australienne de protection du consommateur (Australian Consumer Law). Vous avez droit à un remplacement ou à un remboursement en cas de défaillance majeure et en compensation de toute perte ou tout dommage raisonnablement prévisible. Vous pouvez également bénéficier de la réparation ou du remplacement des produits si la qualité de ces derniers n'est pas acceptable et si le défaut n'entraîne pas de défaillance majeure. Pour les réparations couvertes par la garantie, chercher le Réparateur agréé le plus proche en consultant la liste des Réparateurs sur notre site internet BRIGGSandSTRATTON.COM, ou composer le +001 (300) 274 447, nous envoyer un courriel à salesenquiries@briggsandstratton.com.au, ou nous écrire à Briggs & Stratton Australia Pty Ltd, 1 Moorebank Avenue, Moorebank, NSW, Australia, 2170.

La période de garantie débute à la date d'achat par le premier acheteur au détail ou par le premier utilisateur commercial final. « Utilisation par le consommateur » signifie que le produit sera utilisé par un consommateur au détail dans un but privé. « Utilisation commerciale » indique toutes les autres utilisations possibles, y compris commerciales, génératrices de revenus ou locatives. Aux fins de la présente garantie, dès qu'un équipement a été utilisé commercialement une fois, il est par la suite considéré comme étant d'usage à des fins commerciales.

Conservez votre reçu d'achat comme preuve. Si vous ne présentez pas de preuve d'achat stipulant la date de l'achat initial lors d'une demande d'intervention sous garantie, la date de fabrication du produit servira de référence pour déterminer la période de garantie. L'enregistrement du produit n'est pas obligatoire pour bénéficier de la garantie sur les produits Briggs & Stratton.

Au sujet de la garantie

Cette garantie limitée couvre uniquement les pièces défectueuses et/ou la main d'œuvre et pas le remplacement ou le remboursement de l'équipement sur lequel est monté le moteur. Les mises au point de routine, les réglages, les ajustements et l'usure normale ne sont pas couverts par cette garantie. De même, la garantie ne s'applique pas si le moteur a été altéré ou modifié, ou si le numéro de série du moteur a été dégradé ou effacé. Cette garantie ne couvre pas les dommages du moteur ou les problèmes de performance dus à :

1. L'emploi de pièces non d'origine Briggs & Stratton ;
2. L'utilisation du moteur avec de l'huile en quantité insuffisante, contaminée ou d'un grade de lubrification inadapté ;
3. L'utilisation de carburant contaminé ou trop vieux, d'essence formulée avec de l'éthanol à plus de 10 % ou l'utilisation de carburants alternatifs comme le gaz naturel ou le GPL sur des moteurs non conçus/fabriqués à l'origine par Briggs & Stratton pour fonctionner avec de tels carburants ;
4. Les saletés qui pénètrent dans le moteur du fait d'un entretien inadéquat du filtre à air ou son remontage ;
5. Un choc de la lame d'une tondeuse rotative sur un corps dur, des adaptateurs de lames, des turbines ou d'autres dispositifs raccordés au vilebrequin mal installés ou desserrés, ou une courroie trapézoïdale trop tendue ;
6. Les pièces ou groupes de pièces associées tels que les embrayages, transmissions, commandes du matériel, etc., qui ne sont pas fabriqués par Briggs & Stratton ;
7. Une surchauffe provoquée par des résidus d'herbe, de la saleté et des débris ou des nids de rongeurs qui bouchent ou obstruent les ailettes de refroidissement ou la zone du volant, ou provoquée par un fonctionnement du moteur dans un espace insuffisamment ventilé ;
8. Des vibrations excessives résultant d'un sursrégime, d'un serrage insuffisant des boulons de fixation du moteur, des lames ou des turbines desserrées ou mal équilibrées, d'une mauvaise adaptation de l'équipement sur le vilebrequin du moteur ;
9. Un abus, un manque d'entretien courant, l'expédition, la manutention ou l'entreposage de l'équipement ou une mauvaise installation du moteur.

Les services couverts par la garantie sont assurés par les distributeurs Briggs & Stratton agréés uniquement. Trouvez votre centre de services autorisé le plus proche en utilisant la carte localisatrice de nos revendeurs sur le site BRIGGSandSTRATTON.COM ou en appelant le 1-800-233-3723 (aux États-Unis).

80004537 (Rév.B)

Questo manuale contiene norme di sicurezza importanti per prevenire ogni rischio associato al motore. Contiene inoltre istruzioni sull'uso e la manutenzione corretta del motore. Poiché Briggs & Stratton non conosce necessariamente l'applicazione sulla quale verrà installato questo motore, è molto importante leggere e capire l'intero contenuto del manuale d'istruzioni dell'attrezzatura sulla quale è installato il motore. **Conservare l'originale delle presenti istruzioni per potervi fare riferimento in futuro.**

Nota: Le figure e le illustrazioni di questo manuale sono solo per riferimento e possono differire dallo specifico modello acquistato. Contattare il rivenditore se si hanno domande.

Per ordinare i ricambi o inviare eventuali richieste di assistenza, annotare qui i numeri di Modello, Tipo e Codice del motore insieme alla data di acquisto. Questi numeri si trovano sul motore (vedere la sezione **Caratteristiche e controlli**).

Data dell'acquisto:	
Modello del motore - Tipo - Trim	
Numero di serie del motore	

Cercare il codice a barre 2D riportato su alcuni motori. Quando viene visualizzato con un dispositivo abilitato al 2D, il codice rimanda al nostro sito web, dove è possibile accedere alle informazioni di supporto per questo prodotto. Si applicano gli indici di trasferimento dati. Alcuni Paesi potrebbero non disporre delle informazioni di supporto.



Simbolo	Significato	Simbolo	Significato
	Pericolo di incendio		Pericolo di esplosione.
	Pericolo di scossa elettrica.		Pericolo di fumi tossici.
	Pericolo superfici estremamente calde		Pericolo acustico - Protezione auricolare raccomandata in caso di uso prolungato.
	Pericolo di lancio di oggetti - Indossare una protezione per gli occhi.		Pericolo di esplosione.
	Pericolo di congelamento.		Pericolo di contraccolpo
	Pericolo di amputazione - Parti in movimento		Pericolo chimico
	Pericolo di riscaldamento termico		Corrosivo

Informazioni sul riciclaggio

		Tutti gli imballaggi, l'olio esausto e le batterie dovrebbero essere smaltiti in conformità con le normative applicabili.
--	--	---

Sicurezza dell'operatore

Simbolo di avvertenza per la sicurezza e termini di segnalazione

Il simbolo di avvertenza per la sicurezza è utilizzato per segnalare le informazioni di sicurezza su rischi che possono portare a lesioni personali. Si usa un termine di segnalazione (PERICOLO, AVVERTENZA o ATTENZIONE) per indicare la probabilità o la gravità del rischio. Inoltre, per indicare il tipo di pericolo può essere utilizzato un simbolo di sicurezza.

PERICOLO indica un rischio che, se non evitato, **provocherà gravi lesioni o morte.**

AVVERTENZA indica un rischio che, se non evitato, **potrebbe avere come conseguenza morte o lesioni gravi.**

ATTENZIONE indica un rischio che, se non evitato, **potrebbe provocare lesioni minori o moderate.**

AVVISO indica un'azione che **potrebbe causare danni al prodotto.**

Simboli indicanti rischio e relativi significati

Simbolo	Significato	Simbolo	Significato
	Informazioni di sicurezza relative ai rischi che possono causare lesioni personali.		Prima di usare o riparare la macchina, leggere e comprendere il manuale per l'operatore.

Messaggi di sicurezza

AVVERTENZA

Certi componenti di questo prodotto e i relativi accessori contengono sostanze chimiche che lo Stato della California ritiene essere causa di cancro, difetti di nascita e di tossicità riproduttiva. Dopo averli maneggiati, lavarsi le mani.

AVVERTENZA

Ai sensi delle leggi dello Stato della California, i gas di scarico di questo motore contengono sostanze chimiche in grado di provocare cancro, malformazioni fetali o altri difetti riproduttivi.

AVVERTENZA

I motori Briggs & Stratton non sono progettati per essere utilizzati su: fun-kart; go-kart; veicoli per bambini, ricreativi o fuori strada; motociclette, prodotti a camera ad aria, velivoli o veicoli impiegati in eventi competitivi non approvati da Briggs & Stratton. Per informazioni sui prodotti per gare competitive, visitare www.briggsracing.com. Per l'impiego su quad e motoslitte, contattare Briggs & Stratton Engine Application Center, 1-866-927-3349. L'uso scorretto del motore può provocare lesioni gravi o morte.

NOTA

Questo motore viene fornito da Briggs & Stratton senza olio. Prima di avviare il motore, assicurarsi di aggiungere olio secondo le istruzioni di questo manuale. Se si avvia il motore senza olio i danni non potranno essere riparati e non saranno coperti dalla garanzia.

AVVERTENZA

Il carburante e i suoi vapori sono estremamente infiammabili ed esplosivi.

Un incendio oppure un'esplosione possono provocare gravi ustioni o morte.

Quando si rabbocca il carburante

- Spegner il motore e lasciarlo raffreddare per almeno 2 minuti prima di togliere il tappo del serbatoio del carburante.

- Rifornire il serbatoio del carburante all'esterno e in un'area ben ventilata.
- Non mettere troppo carburante nel serbatoio. Per consentire l'espansione del carburante, non riempire al di sopra del fondo del collo del serbatoio.
- Tenere il carburante lontano da scintille, fiamme libere, fiamme pilota e altre fonti di ignizione.
- Controllare spesso linee del carburante, serbatoio, tappo e accessori per eventuali lesioni o perdite. Sostituire se necessario.
- Se il carburante si versa, attendere che sia evaporato prima di avviare il motore.

Quando si avvia il motore

- Assicurarsi che candela, silenziatore, tappo del carburante e filtro dell'aria (se in dotazione) siano al loro posto e fissati.
- Non far girare il motore senza candela.
- Se il motore si ingolfia, impostare la ventola dell'aria (se presente) in posizione APRI/MARCIA, spostare l'acceleratore (se presente) in posizione VELOCE e far girare fino a che il motore si avvia.

Quando si utilizza l'apparecchiatura

- NON inclinare il motore o l'attrezzatura al punto da provocare la fuoriuscita del carburante.
- Non aprire la valvola dell'aria del carburatore per arrestare il motore.
- Mai avviare né far funzionare il motore con il gruppo di filtraggio dell'aria (se presente) o il filtro dell'aria (se presente) rimosso.

Quando si cambia l'olio

- Se si spurga l'olio dalla parte superiore del tubo di rifornimento, il serbatoio del carburante deve essere vuoto altrimenti il carburante stesso può versarsi con rischio di incendio o esplosione.

Quando si inclina l'unità per la manutenzione

- Quando si eseguono interventi di manutenzione che richiedono l'inclinazione dell'unità, il serbatoio del carburante deve essere vuoto, altrimenti si può verificare una perdita di carburante, causando incendi o esplosioni.

Quando si trasporta l'apparecchiatura

- Trasportare con il serbatoio del carburante VUOTO o con la valvola di intercettazione del carburante in posizione CHIUSA.

Immagazzinaggio del dispositivo con il combustibile nel serbatoio

- Tenere sempre lontano da fornaci, stufe, scaldabagni o altri apparecchi che hanno fiamma pilota o altre fonti di ignizione perché potrebbero accendere i vapori del carburante.



AVVERTENZA

All'avviamento del motore viene prodotta una scintilla.

Le scintille possono accendere gas infiammabili presenti nelle vicinanze.

Le conseguenze potrebbero essere esplosione o incendio.

- In caso di perdita di metano o GLP nell'area, non avviare il motore.
- Non usare fluidi di avvio pressurizzati perché i vapori sono infiammabili.



AVVERTENZA

PERICOLO GAS VELENOSO. Lo scarico del motore contiene monossido di carbonio, un gas velenoso che può uccidere in pochi minuti. **NON si vede, non ha gusto o odore.** Anche se non si respirano i fumi di scarico, è possibile comunque essere esposti al monossido di carbonio. **Se ci si sente male, con una sensazione di malessere o debolezza utilizzando il prodotto, arrestare il motore ed uscire SUBITO all'aria fresca. Rivolgersi ad un medico. Potrebbe essersi verificato un avvelenamento da monossido di carbonio.**

- Utilizzare questo prodotto SOLO all'aperto, lontano da finestre, porte e ventole per ridurre il rischio che il monossido di carbonio si accumuli e possa incanalarsi in spazi non occupati.
- Montare allarmi monossido di carbonio a batteria o inserire allarmi monossido di carbonio con riserva a batteria seguendo le istruzioni del fabbricante. Gli allarmi per il fumo non possono rilevare il monossido di carbonio.
- NON utilizzare la macchina dentro casa, all'interno di garage, piani interrati, intercapedini, capanni o altri spazi parzialmente chiusi anche se si utilizzassero ventole o lasciassero aperte porte e finestre per garantire la ventilazione. Il monossido di carbonio può accumularsi velocemente in tali spazi e ristagnare per ore, anche quando la macchina è stata spenta.

- Usare SEMPRE questo prodotto sottovento e puntare lo scarico del motore lontano da spazi occupati.



AVVERTENZA

Il ritorno rapido del cavo di avviamento (contraccolpo) strapperà la mano e il braccio verso il motore prima che si possa lasciare andare della manovella.

Ciò può causare rotture ossee, fratture, contusioni o distorsioni.

- Per evitare il contraccolpo quando si avvia il motore, tirare dapprima lentamente, finché non si incontra resistenza, e quindi tirare rapidamente.
- Prima di avviare il motore, disinserire tutte le attrezzature esterne e gli eventuali carichi dal motore.
- I componenti ad accoppiamento diretto come lame, giranti, pulegge, pignoni, ecc. debbono essere saldamente bloccati alla PTO.



AVVERTENZA

Le parti rotanti possono toccare o intrappolare mani, piedi, capelli, indumenti o accessori.

Pericolo di amputazione o gravi lacerazioni.

- Utilizzare sempre l'attrezzatura con i carter protettivi in posizione.
- Tenere lontani mani e piedi dalle parti rotanti.
- Legare i capelli lunghi e togliere i gioielli.
- Non indossare indumenti larghi, stringhe lunghe o altri oggetti che potrebbero rimanere impigliati.



AVVERTENZA

I motori accesi generano calore. Alcune parti del motore, specialmente il silenziatore, diventano estremamente calde.

In caso di contatto sussiste il rischio di gravi ustioni.

I detriti infiammabili, ad esempio foglie, erba, paglia, ecc. possono incendiarsi.

- Prima di toccare, lasciare che il silenziatore, il cilindro del motore e le alette si raffreddino.
- Rimuovere i detriti accumulati dalla zona del silenziatore e del cilindro.
- La sezione 4442 del codice sulle risorse pubbliche della California vieta l'uso o l'operazione della macchina in zone forestali, zone cespugliose o zone erbose a meno che l'unità non sia dotata di parascintille, come definito nella sezione 4442, conservati in perfetta funzionalità. Esistono leggi simili anche in altri stati o zone federali. Contattare un rivenditore autorizzato per avere un apposito parascintille per il sistema di scarico installato su questo motore.



AVVERTENZA

Una scintilla accidentale può provocare un incendio oppure una scossa elettrica.

L'avvio accidentale può provocare schiacciamento, amputazione o lacerazione degli arti.

Pericolo di incendio

Prima di eventuali regolazioni o riparazioni:

- Scollegare il cavo della candela e tenerlo lontano dalla stessa.
- Staccare il terminale negativo della batteria (solamente sui motori ad avviamento elettrico).
- Usare solo attrezzi corretti.
- NON manomettere le molle del regolatore, i leverismi o altre parti per aumentare la velocità del motore.
- I ricambi devono essere uguali e installati nella stessa posizione dei componenti originali. Ricambi diversi potrebbero non funzionare altrettanto bene, danneggiare l'unità e causare lesioni alle persone.
- Non battere il volano con un martello o un oggetto metallico in quanto si potrebbe lesionare ed esplodere durante il funzionamento.

In caso di verifica della scintilla

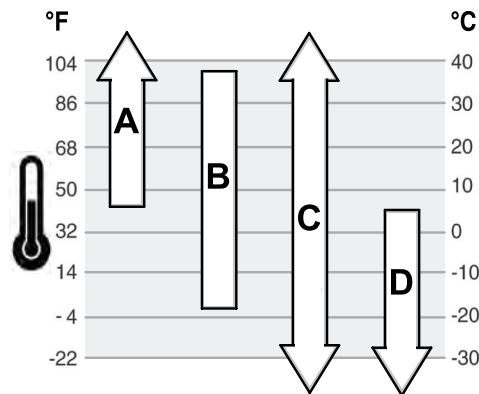
- Usare un tester approvato per candele.
- Non controllare le scintille con la candela rimossa.

Caratteristiche e comandi

Comandi del motore

Confrontare l'illustrazione (Figura: 1, 2, 3) con il motore in modo da prendere familiarità con la posizione dei vari comandi e delle funzioni.

- A. Numeri di identificazione del motore **Modello - Tipo - Codice**
- B. Candela
- C. Serbatoio del carburante e tappo
- D. Filtro dell'aria
- E. Maniglia del cavo del motorino di avviamento
- F. Asta di livello
- G. Silenziatore, Protezione della marmitta (se presente), Parascintille (se presente)
- H. Griglia di aspirazione dell'aria
- I. Comando acceleratore (se presente)
- J. Comando dell'aria (se presente)
- K. Valvola di chiusura del carburante (se prevista)
- L. Interruttore d'arresto (se previsto)



A	SAE 30 - Al di sotto di 4°C (40°F) l'uso di SAE 30 avrà come conseguenza un avvio difficile.
B	10W-30 - Al di sopra di 27°C (80°F) l'uso di 10W-30 può causare maggiore consumo di olio. Controllare il livello dell'olio più di frequente.
C	Synthetic 5W-30
D	5W-30

Simboli dei comandi del motore e relativi significati

Simbolo	Significato	Simbolo	Significato
	Velocità motore - VELOCE		Velocità motore - LENTO
	Velocità motore - STOP		ON - OFF
	Avvio motore - Comando dell'aria CHIUSO		Avvio motore - Comando dell'aria APERTO
	Tappo del carburante Rubinetto del carburante - APERTO		Rubinetto del carburante - CHIUSO
	Livello di carburante - Non riempire eccessivamente		

Funzionamento

Raccomandazioni relative all'olio

Capacità d'olio: Consultare la sezione **Specifiche**.

Per le migliori prestazioni, si consiglia l'uso di oli con certificato di garanzia Briggs & Stratton. Altri oli detergenti di alta qualità sono accettabili se classificati per servizio SF, SG, SH, SJ o superiore. Non utilizzare additivi speciali.

Le temperature esterne determinano la corretta viscosità dell'olio per il motore. Usare la tabella per selezionare la migliore viscosità per l'intervallo di temperature esterne previsto.

Controllare il livello dell'olio

Vedere figura: 4

Prima di rabboccare o controllare il livello dell'olio.

- Accertarsi che il motore sia a livello.
- Eliminare tutti i detriti dalla zona di riempimento dell'olio.

1. Togliere l'asta di livello (A, Figura 4) e pulire con un panno pulito.
2. Installare e serrare l'astina (A, Figura 4).
3. Estrarre l'asta e controllare il livello dell'olio. Il livello dell'olio corretto è nella parte superiore dell'indicatore di pieno (B, Figura 4) sull'astina.
4. Se il livello dell'olio è basso, rabboccarlo lentamente nel motore (C, Figura 4). **Non riempire troppo.** Dopo aver aggiunto l'olio, attendere un minuto prima di verificarne nuovamente il livello.
5. Reinstallare e serrare l'astina (A, Figura 4).

Raccomandazioni relative al carburante

È necessario che la benzina sia conforme a questi requisiti:

- Benzina pulita, nuova, senza piombo.
- Minimo 87 ottani/87 AKI (91 RON). Per uso ad altitudini elevate vedere in seguito.
- È ritenuta accettabile la benzina con un contenuto di etanolo (miscela benzina-alcol) fino al 10%.

NOTA non usare benzine non approvate, come E15 ed E85. Non aggiungere olio alla benzina né modificare il motore affinché possa operare con carburanti alternativi. L'uso di carburanti non approvati provoca danni ai componenti del motore, che non sono coperti da garanzia.

Per proteggere l'impianto del carburante da formazioni gommose, miscelare al carburante uno stabilizzante. Vedere **Stoccaggio**. Non tutti i carburanti sono uguali. Se si verificano problemi di avviamento o le prestazioni dell'unità non sono soddisfacenti, cambiare il fornitore o la marca del carburante. Questo motore è certificato per funzionare a benzina. Sistema di controllo delle emissioni di scarico: EM (Engine Modifications).

Altitudine elevata

Ad altitudini superiori a 1524 metri (5.000 piedi), è accettabile benzina con numero minimo di ottani 85/85 AKI (89 RON).

Per i motori carburati, è richiesta la regolazione per altitudine elevata per mantenere le performance. Il funzionamento senza regolazione causa degrado delle prestazioni, maggiore consumo di carburante e maggiori emissioni. Per informazioni sulla regolazione ad altitudini elevate, rivolgersi a un rivenditore autorizzato Briggs & Stratton. Se è impostata la regolazione per altitudini elevate, si sconsiglia di far funzionare del motore ad altitudini inferiori a 762 metri circa (2.500 piedi).

Per i motori a Iniezione elettronica (EFI), non occorrono regolazioni per altitudine elevata.

Rifornimento di carburante

Vedere figura: 5



AVVERTENZA

Il carburante e i suoi vapori sono estremamente infiammabili ed esplosivi.

Un incendio oppure un'esplosione possono provocare gravi ustioni o morte.

Durante il rifornimento di carburante

- Spegnerne il motore e lasciarlo raffreddare per almeno 2 minuti prima di togliere il tappo del serbatoio del carburante.
 - Rifornire il serbatoio del carburante all'esterno e in un'area ben ventilata.
 - Non mettere troppo carburante nel serbatoio. Per consentire l'espansione del carburante, non riempire al di sopra del fondo del collo del serbatoio.
 - Tenere il carburante lontano da scintille, fiamme libere, fiamme pilota e altre fonti di ignizione.
 - Controllare spesso linee del carburante, serbatoio, tappo e accessori per eventuali lesioni o perdite. Sostituire se necessario.
 - Se il carburante si versa, attendere che sia evaporato prima di avviare il motore.
1. Liberare la zona intorno al tappo del carburante da sporco e detriti. Togliere il tappo del carburante.
 2. Rifornire il serbatoio (A, Figura 5) con il carburante. Per consentire l'espansione del carburante, non riempire al di sopra del fondo del collo del serbatoio (B).
 3. Rimontare il tappo del carburante.

Avviare e arrestare il motore

Vedere Figura: 6, 7, 8 9

Avviamento del motore



AVVERTENZA

Il ritorno rapido del cavo di avviamento (contraccolpo) strapperà la mano e il braccio verso il motore prima che si possa lasciare andare della manovella.

Ciò può causare rotture ossee, fratture, contusioni o distorsioni.

- Per evitare il contraccolpo quando si avvia il motore, tirare dapprima lentamente, finché non si incontra resistenza, e quindi tirare rapidamente.



AVVERTENZA

Il carburante e i suoi vapori sono estremamente infiammabili ed esplosivi.

Un incendio oppure un'esplosione possono provocare gravi ustioni o morte.

Quando si avvia il motore

- Assicurarsi che candela, marmitta, tappo del carburante e filtro dell'aria (se in dotazione) siano al loro posto e fissati.
- Non far girare il motore senza candela.
- Se il motore si ingolfia, impostare la ventola dell'aria (se presente) in posizione OPEN / RUN, spostare l'acceleratore (se presente) in posizione FAST e far girare fino a che il motore si avvia.



AVVERTENZA

PERICOLO GAS NOCIVO. Lo scarico del motore contiene monossido di carbonio, un gas nocivo che può uccidere in pochi minuti. NON si vede, non ha gusto né odore. Anche se non si respirano i fumi di scarico, è possibile comunque essere esposti al monossido di carbonio. Se ci si sente male, con una sensazione di malessere o debolezza utilizzando il prodotto, arrestare il motore ed uscire SUBITO all'aria fresca. Rivolgersi ad un medico. Potrebbe essersi verificato un avvelenamento da monossido di carbonio.

- Utilizzare questo prodotto SOLO all'aperto, lontano da finestre, porte e ventole per ridurre il rischio che il monossido di carbonio si accumuli e possa incanalarsi in spazi non occupati.
- Montare allarmi per monossido di carbonio a batteria o inserire allarmi per monossido di carbonio con riserva a batteria seguendo le istruzioni del fabbricante. Gli allarmi per il fumo non sono in grado di rilevare il monossido di carbonio.

- NON utilizzare la macchina dentro casa, all'interno di garage, piani interrati, intercapedini, capanni o altri spazi parzialmente chiusi anche se si utilizzassero ventole o lasciassero aperte porte e finestre per garantire la ventilazione. Il monossido di carbonio può accumularsi velocemente in tali spazi e ristagnare per ore, anche quando la macchina è stata spenta.
- Usare SEMPRE questo prodotto sottovento e puntare lo scarico del motore lontano da spazi occupati.

NOTA Questo motore viene fornito da Briggs & Stratton senza olio. Prima di avviare il motore, assicurarsi di aggiungere olio secondo le istruzioni di questo manuale. Se si avvia il motore senza olio i danni non potranno essere riparati e non saranno coperti dalla garanzia.

Determinare il sistema di avviamento

Prima di avviare il motore, determinare quale tipo di sistema di avviamento è presente. Può essere uno dei seguenti tipi.

- **Sistema ReadyStart®**: esso presenta una valvola dell'aria automatica controllata dalla temperatura. Non prevede comando dell'aria manuale o primer.
- **Sistema starter**: prevede un comando dell'aria da utilizzare per l'accensione a basse temperature. Alcuni modelli prevedono un comando separato dello starter, mentre altri modelli sono dotati di un comando combinato starter/acceleratore. Questo tipo non è dotato di primer.

Per avviare il motore, seguire le istruzioni del tipo di sistema di avviamento.

Nota: L'attrezzatura può essere dotata di comandi a distanza. Consultare il manuale della specifica attrezzatura per la posizione e il funzionamento dei comandi a distanza.

Sistema®ReadyStart

1. Controllare l'olio del motore. Consultare la sezione **Controllare il livello dell'olio**.
2. Verificare che i comandi delle attrezzature, se presenti, siano disinnestati.
3. Spostare la valvola di chiusura del carburante (A, Figura 6), se presente, in posizione OPEN.
4. Portare la leva di comando dell'acceleratore (B, Figura 6), se presente, in posizione FAST. Far funzionare il motore nella posizione veloce.
5. Spingere l'interruttore di arresto (D, Figura 7), se presente, in posizione ON.
6. Se la macchina è dotata di una leva di arresto motore (C, Figura 8), mantenerla contro l'impugnatura.
7. **Avviamento a strappo, se presente:** Impugnare saldamente la maniglia del cavo del motorino di avviamento (G, Figura 6). Tirare la manovella di avviamento lentamente finché non si incontra resistenza e quindi tirare rapidamente.



AVVERTENZA

Il ritorno rapido del cavo di avviamento (contraccolpo) tirerà la mano e il braccio verso il motore prima che si possa lasciare andare la manovella. Ciò può causare rotture ossee, fratture, contusioni o distorsioni. Per evitare il contraccolpo quando si avvia il motore, tirare dapprima lentamente, finché non si incontra resistenza, e quindi tirare rapidamente.

8. **Avviamento elettrico, se presente:** Portare l'interruttore di avviamento elettrico in posizione ON / START.

NOTA Per prolungare la durata dello starter, usare cicli di avviamento brevi (al massimo, cinque secondi). Attendere un minuto prima di ripetere il tentativo di avviamento.

Nota: Se il motore non parte dopo ripetuti tentativi, contattare il rivenditore locale o visitare **BRIGGSandSTRATTON.com** o chiamare **1-800-233-3723** (negli USA).

Sistema starter

1. Controllare l'olio del motore. Consultare la sezione **Controllare il livello dell'olio**.
2. Verificare che i comandi delle attrezzature, se presenti, siano disinnestati.
3. Spostare la valvola di chiusura del carburante (A, Figura 6), se presente, in posizione OPEN.
4. Portare la leva di comando dell'acceleratore (B, Figura 6), se presente, in posizione FAST. Far funzionare il motore nella posizione veloce.
5. Spostare il comando dell'aria (F, Figura 9) in posizione CLOSED.

Nota: In genere, lo starter non è necessario per riavviare un motore caldo.

6. Spingere l'interruttore di arresto (D, Figura 9), se presente, in posizione ON.

- Se la macchina è dotata di una leva di arresto motore (C, Figura 8), mantenerla contro l'impugnatura.
- Avviamento a strappo, se presente:** Impugnare saldamente la maniglia del cavo del motorino di avviamento (G, Figura 6). Tirare la manovella di avviamento lentamente finché non si incontra resistenza e quindi tirare rapidamente.



AVVERTENZA

Il ritorno rapido del cavo di avviamento (contraccolpo) tirerà la mano e il braccio verso il motore prima che si possa lasciare andare la manovella. Ciò può causare rotture ossee, fratture, contusioni o distorsioni. Per evitare il contraccolpo quando si avvia il motore, tirare dapprima lentamente, finché non si incontra resistenza, e quindi tirare rapidamente.

- Avviamento elettrico, se presente:** Portare l'interruttore di avviamento elettrico in posizione ON / START.

NOTA Per prolungare la durata dello starter, usare cicli di avviamento brevi (al massimo, cinque secondi). Attendere un minuto prima di ripetere il tentativo di avviamento.

- Quando il motore si è riscaldato, muovere il comando dell'aria (F, Figura 9) in posizione OPEN / RUN.

Nota: Se il motore non parte dopo ripetuti tentativi, contattare il rivenditore locale o visitare **BRIGGSandSTRATTON.com** oppure chiamare **1-800-233-3723** (negli USA).

Arrestare il motore



AVVERTENZA



Il carburante e i suoi vapori sono estremamente infiammabili ed esplosivi.

Un incendio oppure un'esplosione possono provocare gravi ustioni o morte.

- Non aprire il comando dell'aria del carburatore, se presente, per arrestare il motore.
- Leva di arresto motore, se prevista:** Rilasciare la leva di arresto del motore (E, Figura 8).
Interruttore d'arresto, se previsto: Spostare l'interruttore di arresto (D, Figura 7, 9) in posizione OFF.
Comando dell'acceleratore, se previsto: Spostare il comando dell'acceleratore (B, Figura 6) fino alla posizione STOP.
Chiave di avviamento elettrico, se presente: Girare la chiave di avviamento elettrico in posizione OFF / STOP. Rimuovere la chiave e conservarla in un luogo sicuro fuori dalla portata dei bambini.
 - Appena il motore si ferma, spostare la valvola di chiusura del carburante (A, Figura 6), se presente, in posizione CLOSED.

Manutenzione

NOTA Se durante la manutenzione il motore viene capovolto, il serbatoio del carburante, se montato sul motore, deve essere vuoto e il lato della candela deve essere verso l'alto. Se il serbatoio del carburante non è vuoto e il motore viene capovolto in qualunque altra direzione, può essere difficile l'avviamento a causa di contaminazione di olio o carburante nel filtro dell'aria e/o nella candela.



AVVERTENZA

Quando si eseguono interventi di manutenzione che richiedono l'inclinazione dell'unità, il serbatoio del carburante deve essere vuoto, altrimenti si può verificare una perdita di carburante, causando incendi o esplosioni.

Si consiglia di contattare un rivenditore autorizzato Briggs & Stratton per tutte le operazioni di assistenza e manutenzione del motore e dei relativi componenti.

NOTA Tutti i componenti che compongono il motore in origine debbono rimanere montati nelle proprie sedi per un funzionamento corretto.



AVVERTENZA



Una scintilla accidentale può provocare un incendio oppure una scossa elettrica.

L'avvio accidentale può provocare schiacciamento, amputazione o lacerazione degli arti.

Pericolo di incendio

Prima di eventuali regolazioni o riparazioni

- Scollegare il cavo della candela e tenerlo lontano dalla stessa.
- Rimuovere il pacco batteria dal vano batteria del motore. Il pacco batteria può in alcune circostanze rappresentare la chiavetta dell'attrezzatura.
- Usare solo attrezzi corretti.
- NON manomettere le molle del regolatore, i leverismi o altre parti per aumentare la velocità del motore.
- I ricambi devono essere uguali e installati nella stessa posizione dei componenti originali. Ricambi diversi potrebbero non funzionare altrettanto bene, danneggiare l'unità e causare lesioni alle persone.
- Non battere il volano con un martello o un oggetto metallico in quanto si potrebbe lesionare ed esplodere durante il funzionamento.

In caso di verifica della scintilla:

- Usare un tester approvato per candele.
- Non controllare le scintille con la candela rimossa.

Dichiarazione controllo emissioni

Solo personale o azienda che si occupa delle riparazioni dei motori in officina potranno procedere alla manutenzione, sostituzione o riparazione dei dispositivi e impianti di controllo delle emissioni. Per ottenere un servizio di controllo delle emissioni "gratuito", è necessario che il controllo stesso sia effettuato da un concessionario debitamente autorizzato dall'azienda. Consultare la Dichiarazione controllo emissioni.

Programma di manutenzione

Prima di ogni utilizzo
<ul style="list-style-type: none"> Controllare il livello dell'olio motore Pulire l'area intorno al silenziatore e ai comandi Pulire la griglia di aspirazione dell'aria
Ogni 25 ore oppure una volta l'anno
<ul style="list-style-type: none"> Pulire il filtro dell'aria ¹ Pulire il pre-filtro, se presente
Ogni 50 ore oppure una volta l'anno
<ul style="list-style-type: none"> Smontaggio del sistema di scarico
Annualmente
<ul style="list-style-type: none"> Sostituire la candela Sostituire il filtro dell'aria Sostituire il pre-filtro, se presente Smontaggio del sistema di raffreddamento ¹

¹ Pulire più frequentemente in condizioni di lavoro particolarmente gravose o nel caso in cui siano presenti detriti nell'aria.

Carburatore e velocità del motore

Non apportare mai modifiche al carburatore o alla velocità del motore. Il carburatore è impostato in fabbrica in modo da operare il modo efficiente nella maggior parte delle condizioni. Non manomettere le molle del regolatore, i collegamenti o altre parti per aumentare la velocità del motore. In caso siano necessarie delle regolazioni, rivolgersi a un Centro di assistenza autorizzato Briggs & Stratton.

NOTA Il produttore dell'attrezzatura specifica la velocità massima per il motore quando viene installato sull'attrezzatura. **Non superare** tale velocità. Se non si è sicuri della velocità massima dell'attrezzatura o quale velocità del motore sia stata impostata in fabbrica, contattare il Centro di assistenza autorizzato Briggs & Stratton per assistenza. Per un funzionamento sicuro e corretto dell'attrezzatura, la velocità del motore deve essere regolata solo da un tecnico dell'assistenza qualificato.

Manutenzione della candela

Vedere figura: 10

Controllare la distanza (A, Figura 10) con uno spessore (B). Se necessario, ripristinare la distanza. Montare e serrare la candela al valore di coppia prescritto. Per i valori della coppia di serraggio o della distanza, consultare la sezione **Specifiche**.

Nota: **In alcuni paesi per legge è obbligatorio l'uso di candele con resistore per la soppressione dei segnali di accensione. Se il motore, in origine, era dotato di una candela con resistore, sostituirla con una dello stesso tipo.

Smontaggio del sistema di scarico



AVVERTENZA

I motori accesi generano calore. Alcune parti del motore, specialmente la marmitta, diventano estremamente calde.

In caso di contatto sussiste il rischio di gravi ustioni.

I detriti infiammabili, ad esempio foglie, erba, paglia, ecc. possono incendiarsi.

- Prima di toccare, lasciare che marmitta, cilindro del motore e alette si raffreddino.
- Rimuovere i detriti accumulati dalla zona di marmitta e cilindro.
- La sezione 4442 del codice sulle risorse pubbliche della California vieta l'uso o l'operazione della macchina in zone forestali, zone cespugliose o zone erbose a meno che l'unità non sia dotata di parascintille, come definito nella sezione 4442, conservati in perfetta funzionalità. Esistono leggi simili anche in altri stati o zone federali. Contattare un rivenditore autorizzato per avere un apposito parascintille per il sistema di scarico installato su questo motore.

Rimuovere i detriti accumulati dalla zona di marmitta e cilindro. Controllare il silenziatore per verificare l'eventuale presenza di incrinature, corrosione o altri danni. Rimuovere il parascintille, se in dotazione, e ispezionarlo per verificare se è danneggiato o se è presente un'occlusione provocata dal carbonio. Se si riscontrano danni, installare i pezzi di ricambio prima di mettere in funzione.



AVVERTENZA

I ricambi devono essere uguali e installati nella stessa posizione dei componenti originali. Ricambi diversi potrebbero non funzionare altrettanto bene, danneggiare l'unità e causare lesioni alle persone.

Cambiare l'olio motore

Vedere Figura: 11, 12, 13



AVVERTENZA

Il carburante e i suoi vapori sono estremamente infiammabili ed esplosivi.

Un incendio oppure un'esplosione possono provocare gravi ustioni o morte.

I motori accesi generano calore. Alcune parti del motore, specialmente la marmitta, diventano estremamente calde.

In caso di contatto sussiste il rischio di gravi ustioni.

- Quando si drena l'olio dal tubo di riempimento superiore, il serbatoio del carburante deve essere vuoto, altrimenti si può verificare una perdita di carburante, causando incendi o esplosioni.
- Prima di toccare, lasciare che marmitta, cilindro del motore e alette si raffreddino.

Controllare l'olio e rabboccare se necessario. Consultare la sezione Come controllare/Aggiungere olio. Il cambio dell'olio non è necessario, ma se si desidera effettuarlo seguire la procedura in basso.

L'olio esausto è un rifiuto pericoloso e deve essere smaltito correttamente. Non smaltire con i rifiuti domestici. Rivolgersi alle autorità locali, al centro assistenza o al rivenditore per le strutture di smaltimento/riciclo.

Rimuovere l'olio

Drenare l'olio dal tubo di riempimento superiore.

1. Con il motore spento ma ancora caldo, scollegare il filo della candela (D, Figura 11) e tenerlo lontano dalla candela stessa (E).
2. Togliere l'astina (A, Figura 12).
3. Se si spurga l'olio dalla parte superiore del tubo di rifornimento (C, Figura 13), tenere l'estremità della candela (E) verso l'alto. Spurgare l'olio in un contenitore approvato.



AVVERTENZA

Quando si drena l'olio dal tubo di riempimento superiore, il serbatoio del carburante deve essere vuoto, altrimenti si può verificare una perdita di carburante, causando incendi o esplosioni. Per svuotare il serbatoio del carburante, far girare il motore finché non si arresta per mancanza di carburante.

Rifornire di olio

- Accertarsi che il motore sia a livello.
- Eliminare tutti i detriti dalla zona di riempimento dell'olio.
- Per la capacità dell'olio, vedere la sezione **Specifiche**.

1. Togliere l'astina di livello (A, Figura 12) e pulire con un panno pulito.
2. Rabboccare lentamente l'olio nel motore (C, Figura 12). **Non riempire troppo.** Dopo aver aggiunto l'olio, attendere un minuto prima di verificarne nuovamente il livello.
3. Installare e serrare l'astina di livello (A, Figura 12).
4. Estrarre l'astina e controllare il livello dell'olio. Il livello dell'olio corretto è nella parte superiore dell'indicatore di pieno (B, Figura 12) sull'astina.
5. Reinstallare e serrare l'astina di livello (A, Figura 12).
6. Collegare il filo della candela (D, Figura 11) alla candela stessa (E).

Manutenzione del filtro dell'aria

Vedere Figura: 14



Il carburante e i suoi vapori sono estremamente infiammabili ed esplosivi.

Un incendio oppure un'esplosione possono provocare gravi ustioni o morte.

- Mai avviare né far funzionare il motore con il gruppo di filtraggio dell'aria (se presente) o il filtro dell'aria (se presente) rimosso.

NOTA Non usare aria pressurizzata né solventi per pulire il filtro. L'aria compressa può danneggiare il filtro, mentre i solventi possono corrodere.

Consultare la **Tabella di manutenzione** per i requisiti di assistenza.

Filtro aria in carta

1. Aprire il coperchio (B, Figura 14).
2. Rimuovere il filtro (C, Figura 14).
3. Rimuovere il pre-filtro (E, Figura 14), se presente, dal filtro. Per togliere i detriti, battere delicatamente il filtro su una superficie dura. Se il filtro è troppo sporco, sostituirlo con uno nuovo.
4. Lavare il pre-filtro con detergente liquido e acqua. Quindi farlo asciugare completamente all'aria. **Non** ungere il pre-filtro.
5. Montare il pre-filtro asciutto, se presente, sul filtro.
6. Installare il filtro (C, Figura 14).
7. Chiudere il coperchio (B, Figura 14).

Smontaggio del sistema di raffreddamento



I motori accesi generano calore. Alcune parti del motore, specialmente la marmitta, diventano estremamente calde.

In caso di contatto sussiste il rischio di gravi ustioni.

I detriti infiammabili, ad esempio foglie, erba, paglia, ecc. possono incendiarsi.

- Prima di toccare, lasciare che marmitta, cilindro del motore e alette si raffreddino.
- Rimuovere i detriti accumulati dalla zona di marmitta e cilindro.

NOTA Non utilizzare acqua per pulire il motore. L'acqua potrebbe contaminare il sistema di carburante. Utilizzare un pennello o un panno asciutto per pulire il motore.

Questo motore è raffreddato ad aria. La presenza o detriti può restringere il flusso dell'aria e causare il surriscaldamento del motore, e ridurre le prestazioni e la durata del motore.

1. Utilizzando una spazzola o un panno asciutto, rimuovere i detriti dalla griglia di aspirazione dell'aria (A).
2. Tenere sempre puliti la tiranteria, le molle ed i comandi
3. Tenere pulita anche l'area vicino alla marmitta da materiali infiammabili
4. Accertarsi che le alette del radiatore dell'olio (C) siano prive di sporcizia e detriti.

Nel tempo, è possibile che si accumulino dei detriti nelle alette di raffreddamento del cilindro e causano il surriscaldamento del motore. Questi detriti possono essere osservati senza smontare parzialmente il motore. Per l'ispezione e la pulizia del sistema di raffreddamento ad aria, contattare un Centro di assistenza autorizzato Briggs & Stratton conformemente alle raccomandazioni della **Tabella di manutenzione**.

Rimessaggio



AVVERTENZA

Il carburante e i suoi vapori sono estremamente infiammabili ed esplosivi.

Un incendio oppure un'esplosione possono provocare gravi ustioni o morte.

Immagazzinaggio del dispositivo con il combustibile nel serbatoio

- Tenere sempre lontano da fornaci, stufe, scaldabagni o altri apparecchi che hanno fiamma pilota o altre fonti di ignizione perché potrebbero accendere i vapori del carburante.

NOTA Mettere in rimessaggio il motore a livello (normale posizione operativa). Per ulteriori istruzioni sul rimessaggio, consultare il manuale dell'attrezzatura.

Impianto di alimentazione

Se conservato per oltre 30 giorni, il carburante può scadere. Il carburante scaduto fa sì che si formino depositi acidi e gommosi nell'impianto di alimentazione o su parti essenziali del carburatore. Per mantenere fresco il carburante usare il **trattamento stabilizzante per carburante formula avanzata Briggs & Stratton**, in vendita presso i rivenditori di ricambi originali Briggs & Stratton.

Non è necessario scaricare il carburante dal motore se viene aggiunto uno stabilizzante secondo le istruzioni. Far girare il motore per due (2) minuti per far circolare lo stabilizzante in tutto l'impianto carburante prima dello stoccaggio.

Se la benzina contenuta nel motore non è stata trattata con uno stabilizzante, deve essere scaricata in un contenitore approvato. Far andare il motore finché non si arresta per mancanza di carburante. Si consiglia l'uso di uno stabilizzante nel contenitore per mantenere la freschezza.

Olio motore

Non è necessario un cambio d'olio, ma se si desidera farlo, procedere quando il motore è caldo. Consultare la sezione **Cambio dell'olio**.

Individuazione e correzione dei problemi

Per assistenza, contattare il rivenditore locale o visitare BRIGGSandSTRATTON.com o chiamare **1-800-233-3723** (negli USA).

Specifiche

Modello: 100000	
Cilindrata	9.93 ci (163 cc)
Alesaggio	2.688 in (68,28 mm)
Corsa	1.75 in (44,45 mm)
Capacità olio	15 oz (4,4 L)
Distanza elettrodo candele	.030 in (.76 mm)
Coppia di serraggio candela	180 lb-in (20 Nm)
Intraferro indotto	.006 - .014 in (.15 - .36 mm)
Gioco punteria valvola di aspirazione	.004 - .008 in (.10 - .20 mm)
Gioco punteria valvola di scarico	.004 - .008 in (.10 - .20 mm)

Modello: 093J00	
Cilindrata	9.15 ci (150 cc)
Alesaggio	2.583 in (65,60 mm)
Corsa	1.75 in (44,45 mm)
Capacità olio	15 oz (4,4 L)
Distanza elettrodo candele	.020 in (.51 mm)
Coppia di serraggio candela	180 lb-in (20 Nm)
Intraferro indotto	.006 - .014 in (.15 - .36 mm)
Gioco punteria valvola di aspirazione	.004 - .008 in (.10 - .20 mm)
Gioco punteria valvola di scarico	.004 - .008 in (.10 - .20 mm)

La potenza del motore diminuisce del 3,5% ogni 300 metri (1.000 piedi) sul livello del mare e dell'1% ogni 5,6 °C (10 °F) al di sopra di 25 °C (77 °F). Il motore funzionerà in modo

soddisfacente ad un'angolazione massima di 15°. Fare riferimento al Manuale dell'operatore dell'attrezzatura per i limiti di funzionamento in sicurezza sui tratti in pendenza.

Pezzi di ricambio - Modello: 100000, 093J00	
Ricambio	Codice
Filtro dell'aria (vedi Figura 14)	593260
Prefiltro, filtro dell'aria (vedi Figura 14)	594055
Olio - SAE 30	100113
Advanced Formula Fuel Treatment and Stabilizer	100117, 100120
Candela con resistore (Modello 100000)	594056
Candela con resistore (Modello 093J00)	692051
Chiave per candele	19576
Tester di scintilla	19368

Si consiglia di contattare un rivenditore autorizzato Briggs & Stratton per tutte le operazioni di assistenza e manutenzione del motore e dei relativi componenti.

Potenza nominale: La potenza nominale lorda per i singoli modelli di motore a benzina è etichettata in conformità con lo standard Small Engine Power & Torque Rating Procedure codice J1940 di SAE (Society of Automotive Engineers) ed è classificata conformemente a SAE J1995. I valori di coppia sono calcolati a 2600 RPM per i motori con la dicitura "rpm" in etichetta e a 3060 RPM per tutti gli altri motori; i valori di potenza in cavalli sono calcolati a 3600 RPM. Le curve di potenza lorda possono essere visualizzate sul sito www.BRIGGSandSTRATTON.COM. I valori di potenza netti sono ricavati con marmitta e filtro dell'aria installati mentre i valori di potenza lordi sono ricavati senza questi accessori. La potenza lorda reale del motore sarà superiore a quella netta ed è influenzata, fra altri fattori, da condizioni operative ambientali e variabilità da motore a motore. Data la vasta gamma di prodotti su cui sono installati i motori, il motore a benzina potrebbe non sviluppare la potenza lorda nominale quando usato su una data apparecchiatura. La differenza è dovuta a diversi fattori compreso, ma non esclusivamente, a varietà dei componenti del motore (filtro dell'aria, marmitta, carica, raffreddamento, carburatore, pompa del carburante, ecc.), restrizioni applicative, condizioni operative ambientali (temperatura, umidità, altitudine) e variabilità da motore a motore. A causa di limitazioni alla produzione e di capacità, Briggs & Stratton potrà sostituire questo motore di serie con un motore di potenza nominale superiore.

Garanzia

Garanzia per il motore Briggs & Stratton

Valida a partire da gennaio 2016

Garanzia limitata

Briggs & Stratton garantisce che, durante il periodo di garanzia specificato di seguito, provvederà alla riparazione o alla sostituzione gratuita di parti che presentino difetti di materiale o di lavorazione o entrambi. Tutte le spese di trasporto del prodotto destinato alla riparazione o alla sostituzione coperte dalla presente garanzia sono a carico dell'acquirente. La presente garanzia risulta valida per il periodo di tempo indicato nel presente documento ed è soggetta alle condizioni indicate di seguito. Per assistenza in garanzia, rivolgersi al Centro di Assistenza Autorizzato più vicino che si può trovare nel sito www.BriggsandStratton.com. L'acquirente dovrà contattare il centro di assistenza autorizzato e mettere a disposizione di quest'ultimo il prodotto per l'ispezione e la verifica.

Non viene fornita alcuna altra garanzia esplicita. Le garanzie implicite, comprese quelle di commerciabilità e adeguatezza ad uno scopo particolare, sono limitate al periodo di garanzia indicato di seguito o a quanto consentito dalla legge. La responsabilità per danni incidentali o consequenziali è esclusa nella misura prevista dalla legge. Alcuni stati o Paesi non consentono limiti alla durata della garanzia implicita e alcuni stati o Paesi non ammettono l'esclusione o la limitazione di danni incidentali o consequenziali, quindi la suddetta limitazione ed esclusione potrebbero non essere applicabili al singolo utente. La presente garanzia concede all'utente specifici diritti legali e lo stesso potrebbe avere altri diritti che variano da stato a stato o da Paese a Paese ⁴.

Termini di garanzia standard ^{1, 2}

Marca / Tipo di prodotto	Uso privato	Uso commerciale
Vanguard™ ³	36 mesi	36 mesi
Commercial Turf Series™; Serie commerciale	24 mesi	24 mesi
Motori con manicotti in ghisa Dura-Boret™	24 mesi	12 mesi
Tutti gli altri motori Briggs & Stratton	24 mesi	3 mesi

¹ I presenti costituiscono i termini standard di garanzia, ma occasionalmente può essere prevista un'ulteriore copertura della garanzia, non determinata al momento della pubblicazione. Per un elenco completo dei termini di garanzia attuali applicati al proprio motore, visitare il sito Web.BRIGGSandSTRATTON.COM, oppure contattare il centro di assistenza autorizzato Briggs & Stratton.

² La garanzia non è applicabile ai motori o ai dispositivi utilizzati per fornire potenza e non come accessorio o ai generatori portatili usati a fini commerciali. I motori utilizzati per corse sportive o su veicoli commerciali o per noleggio non sono coperti dalla garanzia.

³ Vanguard installato sui generatori in standby: 2 anni per uso privato, nessuna garanzia per uso commerciale. Vanguard installato su veicoli utility: 2 anni per uso privato, 2 anni per uso commerciale. Vanguard a 3 cilindri con raffreddamento a liquido: consultare la politica di garanzia relativa ai motori 3/LC Briggs & Stratton.

⁴ In Australia - I nostri prodotti hanno garanzie che non possono essere escluse ai sensi della Australian Consumer Law. L'utente ha diritto alla sostituzione o al rimborso in caso di guasto grave e a un indennizzo per ogni altra perdita o danno ragionevolmente prevedibile. L'utente ha pertanto diritto alla riparazione o alla sostituzione della merce qualora questa non sia di qualità accettabile e il guasto non sia equiparabile a un guasto grave. Per l'assistenza in garanzia, trovare il centro di assistenza autorizzato più vicino usando il nostro strumento di ricerca concessionari sul sito web BRIGGSandSTRATTON.com o chiamando il numero 1300 274 447 o inviando una e-mail a salesenquiries@briggsandstratton.com.au o scrivendo a Briggs & Stratton Australia Pty Ltd, 1 Moorebank Avenue, Moorebank, NSW, Australia, 2170.

Il periodo di garanzia decorre dalla data di acquisto originale del primo acquirente, sia esso un utente consumatore o professionale. Per "uso privato" si intende l'utilizzo effettuato da un acquirente al dettaglio presso la propria residenza. Per "uso commerciale" si intendono tutti gli altri tipi di utilizzo, compreso l'utilizzo a scopi commerciali, che generano reddito, o il noleggio. Dopo che un motore è stato utilizzato ad uso professionale, sarà sempre classificato come motore per uso professionale ai fini di questa polizza di garanzia.

Conservare la ricevuta di acquisto come prova. Se, al momento di richiesta di applicazione della garanzia, non si fornisce alcuna prova della data di acquisto originale del prodotto, il periodo di garanzia verrà definito in riferimento alla data di produzione. Ai fini dell'applicazione della garanzia, non è necessaria la registrazione del prodotto Briggs & Stratton.

Informazioni sulla garanzia

La presente garanzia copre esclusivamente i difetti del motore dovuti a difetti di materiale e/o lavorazione e non la sostituzione o il rimborso dell'attrezzatura sulla quale il motore può essere installato. La presente garanzia non copre la manutenzione di routine, le regolazioni, le correzioni o la normale usura. Inoltre, la presente garanzia non si applica in caso di alterazioni o modifiche del motore o in caso di rimozione o manomissione del numero di serie. La presente garanzia non copre danni al motore o problemi di performance causati da:

1. L'uso di pezzi non originali Briggs & Stratton;
2. Azionamento del motore con un olio lubrificante insufficiente, impuro o di grado scorretto;
3. L'uso di carburante impuro o vecchio, benzine formulate con un contenuto di etanolo superiore al 10% o l'uso di carburanti alternativi, come GPL o gas naturale su motori che non erano originariamente progettati/fabbricati da Briggs & Stratton per lavorare con simili carburanti;
4. Sporczia penetrata all'interno del motore a causa di manutenzione e rimontaggio non corretti del filtro dell'aria;
5. L'urto contro un oggetto solido da parte della lama di taglio di una falciatrice rotativa, adattatori delle lame, giranti o altri dispositivi accoppiati all'albero motore allentati o installati scorrettamente oppure a causa di un'eccessiva tensione della cinghia trapezoidale;
6. Parti combinate o gruppi quali frizioni, trasmissioni, attrezzature di controllo, ecc., non forniti da Briggs & Stratton;
7. Surriscaldamento causato da residui d'erba, sporczia e detriti o nidi di roditori che tappano o intasano le alette di raffreddamento o l'area del volano o dall'azionamento del motore senza ventilazione sufficiente;
8. Vibrazioni eccessive causate da velocità eccessiva, montaggio del motore allentato, lame di taglio o giranti allentate o sbilanciate o accoppiamento improprio dei componenti dell'attrezzatura sull'albero motore;
9. Uso improprio, assenza di manutenzione di routine, spedizione, manipolazione o magazzino dell'attrezzatura o installazione scorretta del motore.

L'assistenza in garanzia è disponibile esclusivamente presso i rivenditori Briggs & Stratton autorizzati. Trovate il Centro di assistenza autorizzato più vicino sulla mappa all'indirizzo BRIGGSandSTRATTON.COM o chiamate il 1-800-233-3723 (negli USA).

80004537 (Rev.B)

Deze handleiding bevat veiligheidsinformatie om u bewust te maken van de gevaren en risico's die verband houden met motoren, evenals hoe deze te voorkomen. Daarnaast leest u in deze handleiding hoe u de motor op de juiste manier gebruikt en onderhoudt. Omdat Briggs & Stratton niet noodzakelijkerwijs weet welke machine deze motor aandrijft, is het belangrijk dat u deze instructies en die van de machine die deze motor aandrijft leest en begrijpt. **Bewaar deze originele instructies voor toekomstig gebruik.**

Opmerking: De afbeeldingen en illustraties in deze handleiding zijn uitsluitend bedoeld als referentie en kunnen afwijken van uw eigen model. Neem bij vragen contact op met uw dealer.

Noteer ten behoeve van vervangingsonderdelen of technische ondersteuning hieronder het motormodel, het type en de codenummers, evenals de aanschafdatum. Deze nummers staan op uw motor (zie het deel **Kenmerken en bedieningsfuncties**).

Aankoopdatum	
Motormodel - Type - Uitrusting	
Serienummer motor	

Zoek de 2D-streepjescode die op sommige motoren staat. Wanneer u deze code met een voor 2D geschikt apparaat scant, wordt de website geopend waar u ondersteuningsinformatie voor dit product vindt. Daarbij kunnen er kosten voor data worden aangerekend. In sommige landen kan de online ondersteuningsinformatie niet beschikbaar zijn.



Symbol	Betekenis	Symbol	Betekenis
	Brandgevaar		Explosiegevaar.
	Brandgevaar		Gevaar voor giftige dampen
	Gevaar voor hete oppervlakken		Gevaar voor geluid - Oorbescherming aanbevolen bij langdurige blootstelling.
	Gevaar voor weggeworpen onderwerpen - Draag oogbescherming.		Explosiegevaar.
	Gevaar voor bevriezing		Gevaar voor terugslag
	Gevaar voor amputatie - bewegende onderdelen		Gevaar voor chemicaliën
	Gevaar voor thermische warmte		Corrosief

Recyclingsinformatie

		Alle verpakkingen, gebruikte olie en batterijen moeten worden gerecycled conform de geldende overheidsvoorschriften.
--	--	--

Veiligheid van de gebruiker

Veiligheidssymbool en signaalwoorden

Het veiligheidssymbool wordt gebruikt om veiligheidsinformatie aan te duiden over gevaren die kunnen leiden tot lichamelijk letsel. Een signaalwoord (GEVAAR, WAARSCHUWING of VOORZICHTIG) wordt samen met het veiligheidssymbool gebruikt om te wijzen op de waarschijnlijkheid en de mogelijke ernst van het letsel. Ook kan een gevarensymbool worden gebruikt om het soort gevaar aan te duiden.

GEVAAR duidt op een gevaar dat, indien het niet wordt voorkomen, **zal resulteren in de dood of ernstig letsel.**

WAARSCHUWING duidt op een gevaar dat, indien het niet wordt voorkomen, **kan resulteren in de dood of ernstig letsel.**

VOORZICHTIG duidt op een gevaar dat, indien het niet wordt voorkomen, **kan resulteren in licht of matig letsel.**

OPGEPAST duidt op een situatie die **kan resulteren in schade aan het product.**

Gevarensymbolen en hun betekenis

Symbol	Betekenis	Symbol	Betekenis
	Veiligheidsinformatie over gevaren die kunnen leiden tot letsel.		Zorg dat u de gebruiksaanwijzing hebt gelezen en begrepen voordat u de eenheid bedient of onderhoud aan de eenheid uitvoert.

Veiligheidsmeldingen



WAARSCHUWING

Bepaalde onderdelen van dit product en de bijbehorende hulpstukken bevatten chemische stoffen waarvan in de staat Californië bekend is dat deze kanker, geboortefwijkingen en andere voortplantingsrisico's veroorzaken. Was uw handen na het werk.



WAARSCHUWING

De motoruitlaatgassen van dit product bevatten chemicaliën waarvan in de staat Californië bekend is dat deze kanker, geboortefwijkingen of andere nadelige effecten op de voortplanting veroorzaken.



WAARSCHUWING

De motoren van Briggs & Stratton zijn niet bedoeld voor en mogen niet worden gebruikt voor de aandrijving van: fun-karts, go-karts, kinder-, vrijetijds- of terreinvoertuigen (ATV's), motorfietsen, hovercrafts, luchtvaartproducten of voertuigen die worden gebruikt bij wedstrijden die niet zijn goedgekeurd door Briggs & Stratton. Ga voor meer informatie over producten voor racewedstrijden naar www.briggsracing.com. Neem bij gebruik met voertuigen voor openbare voorzieningen en buggy's contact op met Briggs & Stratton Engine Application Center, 1-866-927-3349. Verkeerd gebruik van motoren kan leiden tot ernstig of zelfs fataal letsel.

OPGEPAST

Deze motor werd door Briggs & Stratton zonder olie verzonden. Voordat u de motor start, moet u de motor met olie vullen volgens de instructies in deze handleiding. Als u de motor zonder olie start, raakt deze onherstelbaar beschadigd. Dit valt niet onder de garantie.



WAARSCHUWING



Brandstof en brandstofdampen zijn uiterst brandbaar en explosief.

Brand of explosie kunnen ernstige brandwonden of de dood veroorzaken.

Bij het bijvullen van brandstof

- Schakel de motor uit en laat de motor ten minste gedurende 2 minuten afkoelen voordat u de benzinedop verwijderd.
- Vul de brandstoftank buiten of in een goed geventileerde ruimte.
- Vul de brandstoftank niet te veel. Vul de brandstoftank niet tot boven de onderkant van de hals, zodat de brandstof kan uitzetten.
- Houd de brandstof uit de buurt van vonken, open vlammen, waakvlammen, hitte en andere ontstekingsbronnen.
- Controleer brandstofleidingen, tank, vuldop en koppelingen regelmatig op barsten of lekken. Vervang deze, indien noodzakelijk.
- Wanneer er brandstof wordt gemorst, moet u wachten totdat deze is verdampd voordat u de motor start.

Bij het starten van motor

- Zorg dat de bougie, de geluiddemper, de benzinedop en het luchtfilter (indien aanwezig) op hun plaats zijn en goed vastzitten.
- Probeer de motor niet te starten terwijl de bougie verwijderd is.
- Als de motor verzuipt, zet de choke (indien aanwezig) in de stand OPEN/DRAAIEN, zet de gashendel (indien aanwezig) in de stand SNEL en start de motor totdat deze aanslaat.

Bij het gebruik van de machine

- De motor of machine NIET kantelen tot een hoek die veroorzaakt dat brandstof gemorst wordt.
- Choke de carburateur niet om de motor te stoppen.
- De motor mag nooit worden gestart of mag niet draaien als de luchtfiltereenheid (indien aanwezig) of het luchtfilter (indien aanwezig) is verwijderd.

Bij olie verversen

- Als u de olie uit de bovenste olievulbuis aftapt, moet de brandstoftank leeg zijn, anders kan er brandstof lekken, wat kan leiden tot brand of een explosie.

Wanneer de eenheid voor onderhoud wordt gekanteld

- Wanneer er onderhoud wordt uitgevoerd waarvoor de eenheid moet worden gekanteld, dient de brandstoftank leeg te zijn. Anders kan er brandstof uit lekken, wat kan leiden tot brand en explosie.

Bij het transporteren van de machine

- Vervoeren met brandstoftank LEEG of met brandstofafsluitklep in de GESLOTEN stand.

Als u brandstof bewaart of apparatuur met brandstof in de tank

- Niet opslaan in de buurt van ovens, kachels, waterverwarmers of andere toestellen met waakvlammen of andere ontstekingsbronnen omdat deze benzinedampen kunnen ontsteken.



WAARSCHUWING

Wanneer de motor wordt gestart ontstaan er vonken.

Vonken kunnen ontsteking van nabije brandbare gassen veroorzaken.

Explosie en brand kunnen hiervan het gevolg zijn.

- Bij lekkage van aardgas of LPG in de nabijheid mag u de motor niet starten.
- Gebruik geen onder druk staande startvloeistoffen omdat de dampen brandbaar zijn.



WAARSCHUWING

GEVAAR VAN GIFTIG GAS. Motoruitlaatgassen bevatten koolmonoxide, een giftig gas dat u binnen enkele minuten doodt. U kunt het NIET zien, ruiken of proeven. Ook al ruikt u de uitlaatgassen niet, u kunt toch zijn blootgesteld aan koolmonoxide. Hvis du begynder at føle syg, svimmel eller svag, mens du bruger dette produkt, få frisk luft med det samme. Raadpleeg een arts. Het kan zijn dat u koolmonoxidevergiftiging heeft.

- Gebruik dit product ALLEEN buiten, ver uit de buurt van vensters, deuren en ventilatieopeningen om te voorkomen dat zich koolmonoxidegas verzamelt en naar gebruikte ruimten wordt gezogen.
- Plaats koolmonoxidemelders met batterijen of melders op netvoeding met reservebatterij volgens de instructies van de fabrikant. Rookmelders kunnen geen koolmonoxide detecteren.
- Gebruik dit product NIET in huizen, garages, kelders, kruipruimten, schuurtjes of andere gedeeltelijk afgesloten ruimten, ook niet met gebruik van ventilatoren of met geopende deuren en of ramen als ventilatie. In deze ruimten kan snel koolmonoxide

worden gevormd en dit kan uren blijven hangen, zelfs als het product al is uitgeschakeld.

- Plaats dit product ALTIJD met de wind mee en richt de motoruitlaat altijd weg van gebruikte ruimtes.



WAARSCHUWING

Wanneer het startkoord zich snel terugtrekt (terugslag), worden uw hand en arm sneller naar de motor getrokken dan u kunt loslaten.

Gebroken botten, breuken, kneuzingen of verstuikingen kunnen het resultaat zijn.

- Trek bij het starten van de motor het startkoord langzaam uit tot er weerstand gevoeld wordt en trek dan snel om terugslag te voorkomen.
- Verwijder alle externe machine-/motorbelastingen voordat de motor gestart wordt.
- Direct verbonden machineonderdelen zoals, maar niet beperkt tot, messen, aandrijvingen, poelies en tandwielen moeten stevig bevestigd zijn.



WAARSCHUWING

Handen, voeten, haar, kleren, of accessoires kunnen in aanraking komen met en verstrikt raken in draaiende onderdelen.

Dat kan amputatie of ernstige rijtewonden veroorzaken.

- Gebruik de machine met alle afschermingen op hun plaats.
- Houd handen en voeten weg van draaiende onderdelen.
- Bind lang haar vast en verwijder sieraden.
- Draag GEEN loszittende kleding, hangende koorden of zaken die verstrikt kunnen raken.



WAARSCHUWING

Draaiende motoren produceren warmte. Motoronderdelen, vooral geluiddempers, worden zeer heet.

Er kunnen bij aanraking ernstige brandwonden optreden.

Brandbaar vuil, zoals bladeren, gras en hout, kan in brand vliegen.

- Laat geluiddemper, motorcilinder en koelvinnen afkoelen voordat u ze aanraakt.
- Verwijder brandbare stoffen die zich in en rondom de geluiddemper en cilinder hebben opgehoopt.
- Overeenkomstig de California Public Resource Code Section 4442 is het verboden de motor te gebruiken in of in de buurt van bos-, kreupelhout- of grasgebied tenzij het uitlaatsysteem is uitgerust met een vonkenvanger, zoals gedefinieerd in Section 4442, die in goede staat wordt gehouden. In andere deelstaten of landen gelden mogelijk vergelijkbare wetten. Neem contact op met de oorspronkelijke fabrikant, detailhandelaar of dealer voor een vonkenvanger die ontworpen is voor het uitlaatsysteem dat op uw machine is geïnstalleerd.



WAARSCHUWING

Onbedoelde vonkvorming kan resulteren in brand of een elektrische schok.

Onbedoeld starten kan leiden tot beknelling, amputatie of scheurwonden.

Brandgevaar

Vóór het uitvoeren van instellingen of reparaties:

- Maak de bougiekabel los en houd de kabel op veilige afstand van de ontstekingsbougie.
- Ontkoppel de accu bij de negatieve aansluiting (alleen motoren met elektrostart).
- Gebruik alleen correct gereedschap.
- Verander niets aan reguleerveren, verbindingstangen of andere onderdelen om het motortoerental te verhogen.
- Vervangende onderdelen moeten identiek zijn aan en op dezelfde positie worden geïnstalleerd als de originele onderdelen. Andere onderdelen werken mogelijk minder goed, kunnen de eenheid beschadigen en kunnen letsel veroorzaken.
- Sla niet met een hamer of hard voorwerp tegen het vliegwiel omdat het vliegwiel anders later uit elkaar kan barsten tijdens bedrijf.

Bij het testen op vonkvorming:

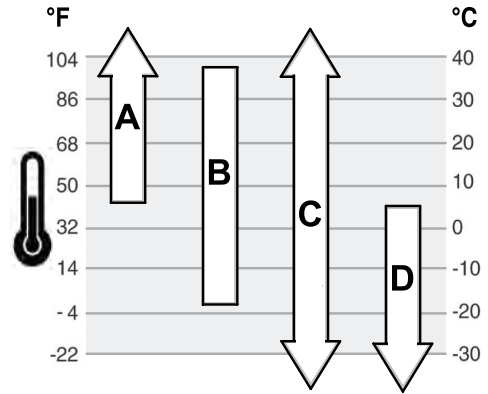
- Gebruik een goedgekeurde bougiestester.
- Controleer niet op vonkvorming wanneer de bougie verwijderd is.

Kenmerken en bedieningselementen

Bedieningselementen van de motor

Vergelijk de illustratie (afbeelding: 1, 2, 3) met uw motor om uzelf vertrouwd te maken met de plaats van de diverse functies en bedieningselementen.

- A. Motoridentificatienummers **Model - Type - Code**
- B. Bougie
- C. Brandstoftank en -dop
- D. LuchtfILTER
- E. Startkoordgreep
- F. Peilstok
- G. Demper, demperbescherming (indien aanwezig), vonkenvanger (indien aanwezig)
- H. Luchtinlaatrooster
- I. Gashendel (indien aanwezig)
- J. Choke (indien aanwezig)
- K. Brandstofkraan (indien aanwezig)
- L. Stopschakelaar (indien aanwezig)



A	SAE 30 - Onder 4°C (40°F) zal leidt gebruik van SAE 30 tot problemen bij het starten.
B	10W-30 - Boven 27°C (80°F) kan het gebruik van 10W-30 leiden tot een hoger oliegebruik. Controleer het oliepeil vaker.
C	Synthetisch 5W-30
D	5W-30

Oliepeil controleren

Zie Afbeelding: 4

Voordat de olie bijgevuld of gecontroleerd wordt

- Zorg ervoor dat de motor waterpas staat.
- Reinig het gebied rond de olievlopening.

1. Verwijder de peilstok (A, Afbeelding 4) en veeg deze met een schone doek af.
2. Plaats de peilstok en draai deze vast (A, Afbeelding 4).
3. Verwijder de peilstok en lees het oliepeil af. Het oliepeil is juist als het bovenaan de indicator voor vol (B, Afbeelding 4) op de peilstok staat.
4. Als het oliepeil laag is, voeg dan langzaam olie toe via de olievlopening (C, Afbeelding 4). **Voeg niet te veel brandstof toe.** Wacht na het bijvullen één minuut en controleer het oliepeil dan nogmaals.
5. Plaats de peilstok terug en draai deze vast (A, Afbeelding 4).

Aanbevolen brandstof

De brandstof moet aan deze eisen voldoen:

- Schone, verse, loodvrije benzine.
- Minimaal 87 octaan/87 AKI (91 RON). Zie hieronder voor gebruik op grote hoogte.
- Benzine met tot 10% ethanol (gasahol) is toegestaan.

OPGEPAST Gebruik geen benzine die niet is goedgekeurd zoals E15 en E85. Meng geen olie in de benzine en pas de motor niet aan voor alternatieve brandstoffen. Het gebruik van niet-goedgekeurde brandstoffen zal schade veroorzaken aan onderdelen van de motor. Dit wordt niet gedekt door de garantie.

Voeg een brandstofstabilisator aan de brandstof toe om het brandstofsysteem tegen gromvorming te beschermen. Zie **Opslag**. Niet alle brandstoffen zijn gelijk. Verander bij start- of prestatieproblemen van tankstation of merk. Deze motor is gecertificeerd om op benzine te lopen. Het emissieregelsysteem voor deze motor is EM (Engine Modifications).

Grote hoogte

Op hoogtes van meer dan 1.524 meter (5.000 voet) is benzine met minimaal 85 octaan/85 AKI (89 RON) toegestaan.

Motoren met carburateur moeten worden afgesteld om hun prestaties te behouden. Gebruik zonder deze afstelling veroorzaakt slechtere prestaties, een hoger brandstofverbruik en toegenomen emissies. Raadpleeg een erkende Briggs & Stratton-dealer voor instructies over de afstelling voor grote hoogtes. Het gebruik van de motor op hoogtes van minder dan 762 meter met de set voor grote hoogtes wordt niet aanbevolen.

Motoren met elektronische brandstofinjection (EFI) hoeven niet voor grote hoogtes te worden afgesteld.

Brandstof bijvullen

Zie Afbeelding 5

Machinebedieningssymbolen en hun betekenis

Symbol	Betekenis	Symbol	Betekenis
	Motortoerental - SNEL		Motortoerental - LANGZAAM
	Motortoerental - STOP		AAN - UIT
	Motor starten - choke GESLOTEN		Motor starten - choke OPEN
	Brandstofdop Brandstofkraan - OPEN		Brandstofkraan - GESLOTEN
	Brandstofpeil - Niet te veel vullen		

Bediening

Aanbevelingen voor olie

Oliecapaciteit: Zie het deel **Specificaties**.

Voor de beste prestatie raden wij het gebruik van Briggs & Stratton Warranty Certifiedoliesoorten aan. U kunt ook andere hoogwaardige soorten reinigingsolie gebruiken, als deze geschikt zijn voor SF, SG, SH, SJ of hoger. Gebruik geen speciale additieven.

De buitentemperaturen bepalen de juiste olieviscositeit voor de motor. Bepaal met behulp van de tabel de beste viscositeit voor het verwachte buitentemperatuurbereik.



WAARSCHUWING

Brandstof en brandstofdampen zijn uiterst brandbaar en explosief.

Brand of explosie kan ernstige brandwonden of de dood veroorzaken.

Bij het bijvullen van brandstof

- Schakel de motor uit en laat de motor ten minste gedurende 2 minuten afkoelen voordat u de benzinedop verwijderd.
- Vul de brandstoftank buiten of in een goed geventileerde ruimte.
- Vul de brandstoftank niet te veel. Vul de brandstoftank niet tot boven de onderkant van de hals, zodat de brandstof kan uitzetten
- Houd de brandstof uit de buurt van vonken, open vlammen, waakvlammen, hitte en andere ontstekingsbronnen.
- Controleer brandstofleidingen, tank, vuldop en koppelingen regelmatig op barsten of lekken. Vervang deze, indien noodzakelijk
- Indien brandstof wordt gemorst, dient u te wachten tot deze verdampt is voordat u de motor start.

1. Reinig het gebied rond de tankdop. Verwijder de tankdop.
2. Vul de brandstoftank (A, Afbeelding 5) met brandstof. Vul de brandstoftank niet tot boven de onderkant van de nek zodat de brandstof kan uitzetten.
3. Draai de tankdop weer vast.

De motor starten en stoppen

Zie afbeelding: 6, 7, 8, 9

De motor starten



WAARSCHUWING

Wanneer het startkoord zich snel terugtrekt (terugslag), worden uw hand en arm sneller naar de motor getrokken dan u kunt loslaten.

Gebroken botten, breuken, kneuzingen of verstuikingen kunnen het resultaat zijn.

- Trek bij het starten van de motor het startkoord langzaam uit tot er weerstand gevoeld wordt en trek dan snel om terugslag te voorkomen.



WAARSCHUWING

Brandstof en brandstofdampen zijn uiterst brandbaar en explosief.

Brand of explosie kunnen ernstige brandwonden of de dood veroorzaken.

Bij het starten van motor

- Zorg dat de bougie, de geluiddemper, de benzinedop en het luchtfilter (indien aanwezig) op hun plaats zijn en goed vastzitten.
- Probeer de motor niet te starten terwijl de bougie verwijderd is.
- Als de motor verzuipt, zet de choke (indien aanwezig) in de stand OPEN/DRAAIEN, zet de gashendel (indien aanwezig) in de stand SNEL en start de motor totdat deze aanslaat.



WAARSCHUWING

GEVAAR VAN GIFTIG GAS. Motoruitlaatgassen bevatten koolmonoxide, een giftig gas dat u binnen enkele minuten doodt. U kunt het NIET zien, ruiken of proeven. Ook al ruikt u de uitlaatgassen niet, u kunt toch zijn blootgesteld aan koolmonoxide. Als u zich tijdens het gebruik van dit product misselijk, duizelig of zwak begint te voelen, schakel het product dan uit en ga ONMIDDELIJK de frisse lucht in. Raadpleeg een arts. Het kan zijn dat u koolmonoxidevergiftiging heeft.

- Gebruik dit product ALLEEN buiten, ver uit de buurt van vensters, deuren en ventilatieopeningen om te voorkomen dat zich koolmonoxidegas verzamelt en naar gebruikte ruimten wordt gezogen.
- Plaats koolmonoxidemelders met batterijen of melders op netvoeding met reservebatterij volgens de instructies van de fabrikant. Rookmelders kunnen geen koolmonoxide detecteren.
- Gebruik dit product NIET in huizen, garages, kelders, kruipruimten, schuurtjes of andere gedeeltelijk afgesloten ruimten, ook niet met gebruik van ventilatoren of met geopende deuren en of ramen als ventilatie. In deze ruimten kan snel koolmonoxide

worden gevormd en dit kan uren blijven hangen, zelfs als het product al is uitgeschakeld.

- Plaats dit product ALTIJD met de wind mee en richt de motoruitlaat altijd weg van gebruikte ruimtes.

OPGEPAST Deze motor werd door Briggs & Stratton zonder olie verzonden. Voordat u de motor start, moet u de motor met olie vullen volgens de instructies in deze handleiding. Als u de motor zonder olie start, raakt deze onherstelbaar beschadigd. Dit valt niet onder de garantie.

Het startsysteem bepalen

Voordat u de motor start, moet u eerst het type startsysteem op uw motor bepalen. Uw motor heeft een van de volgende typen.

- **ReadyStart®-systeem:** Dit is voorzien van een temperatuurgeregelde automatische choke. Het heeft geen handbediende choke of voorinspuiting (primer).
- **Chokesysteem:** Dit systeem heeft een choke voor het starten bij lage temperaturen. Sommige modellen hebben een aparte chokeregeling, andere modellen hebben een gecombineerde choke-/gasregeling. Dit type heeft geen voorinspuitsysteem.

Volg voor het starten van uw motor de instructies voor het betreffende type startsysteem.

Opmerking: Sommige apparaten hebben een afstandsbediening. Kijk in de betreffende handleiding voor de locatie en de bediening van de afstandsbediening.

ReadyStart®-systeem

1. Controleer de motorolie. Zie het deel **Het oliepeil controleren**.
2. Zorg ervoor dat aandrijvingsbedieningen, indien aanwezig, zijn ontkoppeld.
3. Zet de brandstofkraan (A, afbeelding 6) (indien aanwezig) in de stand OPEN.
4. Zet de gashendel (B, afbeelding 6), indien aanwezig, in de stand SNEL. Laat de motor draaien in de stand SNEL.
5. Druk de stopschakelaar (D, afbeelding 7), indien aanwezig, in de stand AAN.
6. Als het product is uitgerust met een stophendel voor de motor (C, afbeelding 8), houdt u de stophendel tegen de handgreep.
7. **Repeteerstarter, indien aanwezig:** Houd de startkoordgreep stevig vast (G, afbeelding 6). Trek de startkoordgreep langzaam uit tot er weerstand gevoeld wordt, en trek daarna snel.



WAARSCHUWING

Wanneer het startkoord zich snel terugtrekt (terugslag), worden uw hand en arm sneller naar de motor getrokken dan u kunt loslaten. Gebroken botten, breuken, kneuzingen of verstuikingen kunnen het resultaat zijn. Trek bij het starten van de motor het startkoord langzaam uit tot er weerstand gevoeld wordt en trek dan snel om terugslag te voorkomen.

8. **Elektrische starter, indien aanwezig:** Draai de elektrische contactschakelaar in de stand AAN/START.

OPGEPAST Start altijd kort (maximaal vijf seconden) om de levensduur van de startmotor te verlengen. Wacht één minuut tussen startcycli.

Opmerking: Als de motor na herhaalde pogingen niet start neemt u contact op met uw dealer, gaat u naar **BRIGGSandSTRATTON.com** of belt u **1-800-233-3723** (in de VS).

Chokesysteem

1. Controleer de motorolie. Zie het deel **Het oliepeil controleren**.
2. Zorg ervoor dat aandrijvingsbedieningen, indien aanwezig, zijn ontkoppeld.
3. Zet de brandstofkraan (A, afbeelding 6) (indien aanwezig) in de stand OPEN.
4. Zet de gashendel (B, afbeelding 6), indien aanwezig, in de stand SNEL. Laat de motor draaien in de stand SNEL.
5. Zet de choke (F, afbeelding 9) in de stand GESLOTEN.

Opmerking: De chokefunctie is meestal niet nodig als u een warme motor opnieuw start.

6. Druk de stopschakelaar (D, afbeelding 9), indien aanwezig, in de stand AAN.
7. Als het product is uitgerust met een stophendel voor de motor (C, afbeelding 8), houdt u de stophendel tegen de handgreep.
8. **Repeteerstarter, indien aanwezig:** Houd de startkoordgreep stevig vast (G, afbeelding 6). Trek de startkoordgreep langzaam uit tot er weerstand gevoeld wordt, en trek daarna snel.



WAARSCHUWING

Wanneer het startkoord zich snel terugtrekt (terugslag), worden uw hand en arm sneller naar de motor getrokken dan u kunt loslaten. Gebroken botten, breuken, kneuzingen of verstuikingen kunnen het resultaat zijn. Trek bij het starten van de motor het startkoord langzaam uit tot er weerstand gevoeld wordt en trek dan snel om terugslag te voorkomen.

9. **Elektrische starter, indien aanwezig:** Draai de elektrische contactschakelaar in de stand AAN/START.

OPGEPAST Start altijd kort (maximaal vijf seconden) om de levensduur van de startmotor te verlengen. Wacht één minuut tussen startcycli.

10. Terwijl de motor opwarmt, zet u de choke (F, afbeelding 9) in de stand OPEN/RUN.

Opmerking: Als de motor na herhaalde pogingen niet start neemt u contact op met uw dealer, gaat u naar **BRIGGSandSTRATTON.com** of belt u **1-800-233-3723** (in de VS).

De motor stoppen



WAARSCHUWING



Brandstof en brandstofdampen zijn uiterst brandbaar en explosief.

Brand of explosie kunnen ernstige brandwonden of de dood veroorzaken.

- Gebruik niet de choke (voor zover aanwezig) om de motor te stoppen.
1. **Stopschakelaar (indien aanwezig):** Laat de stophendel (E, afbeelding 8) van de motor los.
- Stopschakelaar, indien aanwezig:** Zet de stopschakelaar (D, afbeelding 7, 9) in de stand UIT.
- Gashendel, indien aanwezig:** Zet de gashendel (B, afbeelding 6) in de stand STOP.
- Sleutel voor de elektrische start (indien aanwezig):** Draai de sleutel voor de elektrische start in de stand UIT/STOP. Verwijder de sleutel en bewaar deze buiten bereik van kinderen.
2. Nadat de motor stopt, moet de brandstofkraan (A, afbeelding 6), indien aanwezig, in de stand GESLOTEN worden gezet.

Onderhoud

OPGEPAST Als de motor tijdens het onderhoud wordt gekanteld, moet de brandstoftank leeg zijn en moet de bougiekant omhoog wijzen. Als de benzinetank niet leeg is of als de motor een andere kant op wordt gekanteld, kan starten lastig worden omdat het luchtfilter en/of de bougie dan vervuild kan zijn door olie of benzine.



WAARSCHUWING

Wanneer er onderhoud wordt uitgevoerd waarvoor de eenheid moet worden gekanteld, dient de brandstoftank leeg te zijn, anders kan er brandstof uitlekken wat kan leiden tot brand en explosie.

Wij adviseren dat u voor al het onderhoud en alle service aan de motor en de motoronderdelen een erkende Briggs & Stratton-dealer raadpleegt.

OPGEPAST Alle componenten die zijn gebruikt om deze motor te bouwen moeten op hun plaats blijven voor een juiste werking.



WAARSCHUWING



Onbedoelde vonkvorming kan resulteren in brand of een elektrische schok.

Onbedoeld starten kan leiden tot beknelling, amputatie of scheurwonden.

Brandgevaar

Vóór het uitvoeren van afstellingen of reparaties:

- Maak de bougiekabel los en houd de kabel op veilige afstand van de ontstekingsbougie.
- Verwijder het accupack uit de houder op de motor. Het accupack kan in sommige gevallen werken als de sleutel van het apparaat.
- Gebruik alleen correct gereedschap.
- Verander niets aan reguleerveren, verbindingstangen of andere onderdelen om het motortoerental te verhogen.

- Vervangende onderdelen moeten identiek zijn aan en op dezelfde positie worden geïnstalleerd als de originele onderdelen. Andere onderdelen zullen minder goed werken, kunnen het apparaat beschadigen en kunnen letsel veroorzaken.
- Sla niet met een hamer of hard voorwerp tegen het vliegwiel omdat het vliegwiel anders later uit elkaar kan barsten tijdens bedrijf.

Bij het testen op vonkvorming:

- Gebruik een goedgekeurde bougiestester.
- Controleer niet op vonkvorming wanneer de bougie verwijderd is.

Onderhoud aan de emissieregeling

Onderhoud, vervanging en reparatie van de apparatuur en systemen voor de emissieregeling mogen worden uitgevoerd door een persoon of bedrijf gespecialiseerd in de reparatie van niet op de weg gebruikte motoren. Het onderhoud van de emissieregeling kan zonder kosten worden uitgevoerd door een erkende dealer. Zie de verklaringen voor emissieregeling.

Onderhoudsschema

Voor elk gebruik
<ul style="list-style-type: none"> • Olipeil motor controleren • Reinigen rond geluiddemper en bedieningselementen • Luchtinlaatrooster reinigen
Iedere 25 uur of jaarlijks
<ul style="list-style-type: none"> • Luchtfilter reinigen ¹ • Voorfilter reinigen, indien aanwezig,
Iedere 50 uur of jaarlijks
<ul style="list-style-type: none"> • Onderhoud uitlaatsysteem
Jaarlijks
<ul style="list-style-type: none"> • Bougie vervangen • Luchtfilter vervangen • Voorfilter vervangen, indien aanwezig, • Koelsysteem onderhouden ¹

¹ Reinig vaker onder stoffige omstandigheden of wanneer zich veel zwevend vuil in de omgeving bevindt.

Carburateur en motortoerental

Stel de carburateur of het motortoerental nooit af. De carburateur is in de fabriek afgesteld voor een efficiënte werking onder de meest gangbare omstandigheden. Verander niets aan de reguleur, koppelingen of andere onderdelen om het motortoerental te verhogen. Als er afstellingen moeten worden uitgevoerd, neem contact op met een erkende Briggs & Stratton-servicedealer.

OPGEPAST De fabrikant van de apparatuur heeft het maximale toerental voor de motor zoals geïnstalleerd in de apparatuur gespecificeerd. **Overschrijd dit toerental niet.** Als u niet weet wat het maximale toerental van de apparatuur is of waarop het motortoerental in de fabriek is ingesteld, neem contact op met een erkende Briggs & Stratton-servicedealer. Voor een veilige en juiste bediening van de apparatuur mag het motortoerental uitsluitend worden afgesteld door een gekwalificeerde servicemonteur.

Voer onderhoud uit aan de bougie.

Zie Afbeelding 10

Controleer de elektrodeafstand (A, Afbeelding 10) met een draadkaliber (B). Stel zoduidig de afstand bij. Installeer de bougie en draai deze vast met het aanbevolen aanhaalkoppel. Zie voor afstelling van de elektrodeafstand en het aanhaalkoppel het deel **Specificaties**.

Opmerking: *In sommige gebieden schrijven plaatselijke wetten het gebruik voor van weerstandsbougies om ontstekingsignalen te onderdrukken. Indien deze motor origineel was uitgerust met een weerstandsbougie, gebruik dan voor vervanging hetzelfde type bougie.

Onderhoud aan het uitlaatsysteem



WAARSCHUWING

Draaiende motoren produceren warmte. Motoronderdelen, vooral geluiddempers, worden zeer heet.

Ernstige brandwonden kunnen optreden bij contact.

Brandbaar vuil, zoals bladeren, gras en hout, kan in brand vliegen.

- Laat geluiddemper, motorcilinder en koelvinnen afkoelen voordat u ze aanraakt.
- Verwijder brandbare stoffen die zich in en rondom de geluiddemper en cilinder hebben opgehoopt.
- Overeenkomstig de California Public Resource Code Section 4442 is het verboden de motor te gebruiken in of in de buurt van bos-, kreupelhout- of grasgebied tenzij het uitlaatsysteem is uitgerust met een vonkenvanger, zoals gedefinieerd in Section 4442, die in goede staat wordt gehouden. In andere deelstaten of landen gelden mogelijk vergelijkbare wetten. Neem contact op met de oorspronkelijke fabrikant, detailhandelaar of dealer voor een vonkenvanger die ontworpen is voor het uitlaatsysteem dat op uw machine is geïnstalleerd.

Verwijder brandbare stoffen die zich in en rondom de geluiddemper en cilinder hebben opgehoopt. Inspecteer de uitlaat op barsten, corrosie of andere beschadiging. Verwijder de vonkenvanger, als de machine hiermee is uitgerust en inspecteer deze op beschadiging of koolverstopping. Als u beschadigingen aantreft, installeer dan vervangingsonderdelen voordat u het apparaat weer gebruikt.



WAARSCHUWING

Vervangende onderdelen moeten identiek zijn aan en op dezelfde positie worden geïnstalleerd als de originele onderdelen. Andere onderdelen zullen minder goed werken, kunnen de maaier beschadigen en kunnen letsel veroorzaken.

Motorolie verversen

Zie afbeelding: 11, 12, 13



WAARSCHUWING

Brandstof en brandstofdampen zijn uiterst brandbaar en explosief.

Brand of explosie kunnen ernstige brandwonden of de dood veroorzaken.

Draaiende motoren produceren warmte. Motoronderdelen, vooral geluiddempers, worden zeer heet.

Er kunnen bij aanraking ernstige brandwonden optreden.

- Wanneer u de olie aftapt uit de bovenste olievulbuis moet de brandstoftank leeg zijn, anders kan er brandstof lekken, wat kan leiden tot brand en explosie.
- Laat geluiddemper, motorcilinder en koelvinnen afkoelen voordat u ze aanraakt.

Controleer het oliepeil en vullen zo nodig bij. Raadpleeg het deel met informatie over hoe u olie controleert en toevoegt. Het verversen van olie is niet nodig, maar als u de olie wilt verversen, handel dan als volgt.

Gebruikte olie is een gevaarlijk afvalproduct dat op de juiste manier moet worden afgedankt. Voer het niet af met het huishoudelijk afval. Raadpleeg de plaatselijke autoriteiten, het servicecentrum of uw dealer voor veilige afvoer-/recyclingbedrijven.

Olie aftappen

De olie moet worden afgetapt uit de bovenste olievulbuis.

1. Neem de bougiekabel (D, afbeelding 11) los terwijl de motor is uitgeschakeld, maar nog wel warm is en zorg dat deze niet in de buurt van de bougie (E) komt.
2. Verwijder de peilstok (A, afbeelding 12).
3. Als u de olie aftapt via de bovenste olievulbuis (C, afbeelding 13), houd dan de kant van de motor waar de bougie (E) zich bevindt omhoog. Laat de olie in een goedgekeurde bak stromen.



WAARSCHUWING

Wanneer u de olie aftapt uit de bovenste olievulbuis moet de brandstoftank leeg zijn, anders kan er brandstof lekken, wat kan leiden tot brand en explosie. Als u de brandstoftank wilt legen, laat u de motor lopen totdat deze door gebrek aan brandstof stopt.

Olie bijvullen

- Zorg ervoor dat de motor waterpas staat.
- Verwijder eventueel vuil uit het olievlgebied.
- Zie het deel **Specificaties** voor de oliecapaciteit.

1. Verwijder de peilstok (A, afbeelding 12) en veeg deze af met een schone doek.
2. Giet langzaam olie in de vulopening voor motorolie (C, afbeelding 12). **Vul niet te veel bij.** Wacht na het bijvullen één minuut en controleer dan het oliepeil.
3. Zet de peilstok terug en zet deze vast (A, afbeelding 12).
4. Verwijder de peilstok en controleer het oliepeil. Het oliepeil is correct als het bovenaan bij de indicator voor vol (B, afbeelding 12) op de peilstok staat.
5. Zet de peilstok terug en zet deze vast (A, afbeelding 12).
6. Sluit de bougiekabel (D, afbeelding 11) aan op de bougie (E).

Onderhoud aan het luchtfilter

Zie afbeelding: 14



WAARSCHUWING

Brandstof en brandstofdampen zijn uiterst brandbaar en explosief.

Brand of explosie kunnen ernstige brandwonden of fataal letsel veroorzaken.

- De motor mag nooit worden gestart of draaien als de luchtfiltereenheid (indien aanwezig) of het luchtfilter (indien aanwezig) is verwijderd.

OPGEPAST Reinig het filter niet met perslucht of oplosmiddelen. Perslucht kan het filter beschadigen en oplosmiddelen kunnen het filter oplossen.

Zie het **Onderhoudsschema** voor het benodigde onderhoud.

Papieren luchtfilter

1. Open het deksel (B, afbeelding 14).
2. Verwijder het filter (C, afbeelding 14).
3. Verwijder het voorfilter (E, afbeelding 14), indien aanwezig, uit het filter. Tik het filter voorzichtig op een hard oppervlak om het vuil los te maken. Als het filter zeer vuil is, vervang het dan door een nieuw filter.
4. Was het voorfilter in water met een vloeibaar reinigingsmiddel. Laat het daarna grondig aan de lucht drogen. **Breng geen** olie aan op het voorfilter.
5. Monteer het droge voorfilter, indien aanwezig, op het filter.
6. Installeer het filter (C, afbeelding 14).
7. Sluit het deksel (B, afbeelding 14).

Onderhoud aan het koelsysteem



WAARSCHUWING

Draaiende motoren produceren warmte. Motoronderdelen, vooral geluiddempers, worden zeer heet.

Ernstige brandwonden kunnen optreden bij contact.

Brandbaar vuil, zoals bladeren, gras en hout, kan in brand vliegen.

- Laat geluiddemper, motorcilinder en koelvinnen afkoelen voordat u ze aanraakt.
- Verwijder brandbare stoffen die zich in en rondom de geluiddemper en cilinder hebben opgehoopt.

OPGEPAST Gebruik geen water om de motor te reinigen. Water kan het brandstofsysteem verontreinigen. Gebruik een borstel en droge doek om de motor te reinigen.

Dit is een luchtgekoelde motor. Vuil kan de luchtstroom belemmeren en ervoor zorgen dat de motor oververhit raakt, wat resulteert in slechte prestaties en een verminderde levensduur van de motor.

1. Verwijder vuil uit het luchtinlaatrooster met behulp van een borstel of droge doek.
2. Houd verbindingen, veren en bedieningen schoon.
3. Zorg dat het gebied rond en achter de geluiddemper (indien aanwezig) vrij blijft van brandbaar vuil.
4. Zorg dat er geen vuil of rommel op de koelvinnen van de spoel (indien aanwezig) zit.

Na verloop van tijd kan zich vuil ophopen in de koelvinnen van cilinder en ervoor zorgen dat de motor oververhit raakt. Dit vuil kan niet verwijderd worden zonder de motor deels te demonteren. Laat een erkende Briggs & Stratton-dealer het luchtkoelsysteem inspecteren en reinigen zoals aanbevolen in het **Onderhoudsschema**.

Opslag



WAARSCHUWING

Brandstof en brandstofdampen zijn uiterst brandbaar en explosief.

Brand of explosie kunnen ernstige brandwonden of de dood veroorzaken.

Bij het opslaan van brandstof of machines met brandstof in de tank

- Niet opslaan in de buurt van ovens, kachels, waterverwarmers of andere toestellen met waakvlammen of andere ontstekingsbronnen omdat deze benzedampen kunnen ontsteken.

OPGEPAST Berg de motor waterpas op (normale bedrijfsstand). Zie voor nadere opslaginstructies de handleiding van het apparaat.

Brandstofsysteem

Brandstof die langer dan 30 dagen wordt bewaard kan verschalen. Verschaalde brandstof kan leiden tot zuur- en gomafzettingen in het brandstofsysteem of op essentiële carburetoronderdelen. U kunt de brandstof vers houden met Brandstofconservering & -stabilisator met geavanceerde formules van Briggs & Stratton gebruiken, verkrijgbaar waar originele Briggs & Stratton-onderdelen worden verkocht.

U hoeft de benzine niet uit de motor af te tappen als een brandstofstabilisator volgens de instructies wordt toegevoegd. Laat voor het opbergen van de machine de motor 2 minuten lopen zodat de stabilisator door het brandstofsysteem kan circuleren.

Als de benzine in de motor niet met een brandstofstabilisator is behandeld, moet het in een goedgekeurde bak worden afgetapt. Laat de motor lopen totdat deze door gebrek aan brandstof stopt. Het gebruik van een brandstofstabilisator in de opslagcontainer wordt aanbevolen om de brandstof vers te houden.

Motorolie

Olie verversen is niet nodig. Maar als u olie wilt verversen, doe dit dan bij een warme motor. Zie het deel **Motorolie verversen**.

Problemen oplossen

Als u hulp nodig hebt, neem dan contact op met uw dealer of ga naar **BRIGGSandSTRATTON.com** of bel **1-800-233-3723** (in de VS).

Specificaties

Model: 100000	
Cilinderinhoud	9.93 ci (163 cc)
Boring	2.688 in (68,28 mm)
Slag	1.75 in (44,45 mm)
Oliecapaciteit	15 oz (,44 L)
Elektrodeafstand van bougie	.030 in (,76 mm)
Aanhaalkoppel bougie	180 lb-in (20 Nm)
Luchtspleet van ontstekingsspoel	.006 - .014 in (,15 - ,36 mm)
Inlaatklepspeling	.004 - .008 in (,10 - ,20 mm)
Uitlaatklepspeling	.004 - .008 in (,10 - ,20 mm)

Model: 093J00	
Cilinderinhoud	9.15 ci (150 cc)

Model: 093J00	
Boring	2.583 in (65,60 mm)
Slag	1.75 in (44,45 mm)
Oliecapaciteit	15 oz (,44 L)
Elektrodeafstand van bougie	.020 in (,51 mm)
Aanhaalkoppel bougie	180 lb-in (20 Nm)
Luchtspleet van ontstekingsspoel	.006 - .014 in (,15 - ,36 mm)
Inlaatklepspeling	.004 - .008 in (,10 - ,20 mm)
Uitlaatklepspeling	.004 - .008 in (,10 - ,20 mm)

Het motorvermogen neemt met 3,5 % af voor elke 300 meter (1.000 voet) boven zeeniveau en 1 % voor elke 5,6 °C (10 °F) boven 25 °C (77 °F). De motor werkt goed tot een hellingshoek van 15°. Raadpleeg de gebruikershandleiding van de machine voor de maximaal toegestane veilige hellingshoeken.

Serviceonderdelen - Model: 100000, 093J00	
Serviceonderdeel	Onderdeelnummer
Luchtfilter (zie afbeelding 14)	593260
Luchtfilter-voorfilter (zie afbeelding 14)	594055
Olie – SAE 30	100113
Advanced Formula Fuel Treatment and Stabilizer	100117, 100120
Resistorbougie (model 100000)	594056
Resistorbougie (model 093J00)	692051
Bougiesleutel	19576
Vonktester	19368

Wij adviseren dat u voor al het onderhoud en alle service aan de motor en de motoronderdelen een erkende Briggs & Stratton-dealer raadpleegt.

Vermogenklasseringen: De classificatie van het brutovermogen voor individuele benzinemotormodellen is ingedeeld conform code J1940 Vermogens- en torsieklasseringsprocedure voor kleine motoren van de SAE (Society of Automotive Engineers) en is geklasseerd conform SAE J1995. Torsiewaarden zijn voor een toerental van 2.600 omw/min voor motoren waarbij "rpm" wordt aangegeven op het label en 3060 RPM voor alle andere motoren; de paardenkrachtwaarden worden gegeven bij 3.600 RPM. De curves voor het brutovermogen kunt u bekijken op www.BRIGGSandSTRATTON.COM. Het nettovermogen wordt gemeten met gemonteerde uitlaat en luchtfilter, maar het brutovermogen wordt gemeten zonder deze onderdelen. Het werkelijke brutovermogen ligt hoger dan het nettovermogen en wordt onder meer beïnvloed door omgevingsfactoren en verschillen tussen de motoren. Gezien de vele verschillende producten waarvoor onze motoren worden gebruikt, zal de benzinemotor mogelijk niet het nominale brutovermogen ontwikkelen wanneer de motor wordt gebruikt in een door een motor aangedreven machine. Dit verschil wordt veroorzaakt door diverse factoren waaronder, maar niet uitsluitend, de verscheidenheid aan motoronderdelen (luchtfilter, uitlaat, turbo, koelen, carburateur, brandstofpomp etc.), toepassingsbeperkingen, omgevingsfactoren (temperatuur, vochtigheid, hoogte) en verschillen tussen motoren. Vanwege productie- en capaciteitsbeperkingen kan het zijn dat Briggs & Stratton een motor met een hoger nominaal vermogen gebruikt in plaats van de standaardmotor voor deze serie.

Garantie

Garantie op de motor van Briggs & Stratton

Per januari 2016

Beperkte garantie

Briggs & Stratton garandeert dat het gedurende de hieronder opgegeven garantieperiode alle onderdelen van het apparaat met materiaal- en/of fabricagefouten gratis zal repareren en/of vervangen. Transportkosten voor onderdelen die zijn ingezonden voor reparatie of vervanging onder deze garantie komen ten laste van de koper. Deze garantie is geldig voor- en onderhavig aan de onderstaande periodes en voorwaarden. Voor garantieservice kunt u de dichtstbijzijnde erkende servicedealer vinden met behulp van de dealerzoekfunctie op BriggsandStratton.com. De koper moet contact opnemen met de erkende servicedealer en vervolgens het product beschikbaar stellen aan de erkende servicedealer voor onderzoek en tests.

Er zijn geen andere expliciete garanties van toepassing. Impliciete garanties zoals die van verkoopbaarheid en geschiktheid voor een bepaald doel zijn beperkt tot één jaar vanaf aankoop of tot mate die door de wet is toegestaan. Aansprakelijkheid voor incidentele of gevolgschade wordt uitgesloten voor zover dit wettelijk toegestaan is.

Bepaalde staten of landen staan geen beperkingen toe over hoe lang een impliciete garantie geldig is en bepaalde staten of landen staan geen uitsluiting of beperking toe voor incidentele of gevolgschade, zodat de hoger vermelde beperking en uitsluiting misschien niet op u van toepassing is. Deze garantie geeft U bepaalde specifieke wettelijke rechten en U kunt mogelijk andere rechten hebben die van rechtsgebied tot rechtsgebied variëren.

8. Overmatige trillingen als gevolg van een te hoge snelheid, een te losjes gemonteerde motor, losse of niet-uitgebalanceerde snijbladen of waaiers, of onjuiste koppeling van onderdelen van de apparatuur aan de krukas;
9. Verkeerd gebruik, gebrek aan routineonderhoud, verzending, omgang met of opslag van apparatuur, of onjuiste installatie van de motor.

Standaardvoorwaarden voor de garantie ^{1, 2}

Merk / Product Type	Particulier gebruik	Commercieel gebruik
Vanguard™ ³	36 maanden	36 maanden
Commercial Turf Series™ ; Commercial Series	24 maanden	24 maanden
Motoren, waaronder de Dura-Bore™ Gietijzeren Voering	24 maanden	12 maanden
Alle andere Briggs & Stratton motoren	24 maanden	3 maanden

¹ Dit zijn onze standaardvoorwaarden voor garantie, maar er kunnen aanvullende garantiebepalingen zijn die op het moment van publicatie nog niet waren bepaald. Ga voor alle actuele garantievoorwaarden voor uw motor naar BRIGGSandSTRATTON.com of neem contact op met uw erkende Briggs & Stratton servicedealer.

² Er is geen garantie voor motoren op apparatuur die wordt gebruikt voor primaire voeding in plaats van openbare voorzieningen of voor noodaggregaten voor commerciële doeleinden. Motoren die gebruikt worden voor competitief racen en op commerciële- of verhuurcircuits worden niet gegarandeerd.

³ Vanguard geïnstalleerd op noodaggregaten: 24 maanden voor particulier gebruik, geen garantie bij commercieel gebruik. Vanguard geïnstalleerd op voertuigen voor openbare voorzieningen: 24 maanden voor particulier gebruik, 24 maanden garantie bij commercieel gebruik. Vanguard 3-cilinders vloeistofgekoeld: zie garantiebeleid voor 3/LC-motoren van Briggs & Stratton.

⁴ In Australië - onze artikelen worden geleverd met garanties die onder de Australische consumentenwetgeving niet kunnen worden uitgesloten. U hebt recht op vervanging of terugbetaling voor een grote storing en voor compensatie voor alle andere redelijk te voorzien verliezen of schade. U hebt ook het recht om de goederen te laten repareren of vervangen als de goederen niet van een aanvaardbare kwaliteit zijn en de schade niet een belangrijke storing is. Zoek voor garantieservice de dichtstbijzijnde Erkende Service Dealer op met onze dealerkaart op BRIGGSandSTRATTON.com, of bel 1300 274 447, of mail of schrijf naar salesenquires@briggsandstratton.com.au, Briggs & Stratton Australia Pty Ltd, 1 Moorebank Avenue, Moorebank, NSW, Australië, 2170.

De garantieperiode begint op de datum van aankoop door de eerste consument of commerciële klant. "Consumentengebruik" betekent persoonlijk huishoudelijk gebruik door een particuliere consument. "Commercieel gebruik" betekent ieder ander gebruik, inclusief het gebruik voor commerciële huurdoeleinden of voor het genereren van inkomen. Als een motor eenmaal commercieel gebruikt is, dan zal deze daarna voor deze garantie als commercieel gebruikt worden beschouwd.

Bewaar uw kwitantie als aankoopbewijs. Indien u geen bewijs van de eerste aankoopdatum kunt overleggen op het moment dat om garantieservice verzocht wordt, dan zal de fabricagedatum van het product gebruikt worden om de garantieperiode te bepalen. Om in aanmerking te komen voor garantieservice voor producten van Briggs & Stratton hoeft het product niet geregistreerd te zijn.

Over uw garantie

Deze garantie dekt uitsluitend aan de motor gerelateerde defecte materialen en/of bewerkingen, en niet vervanging of vergoeding van de machine waarop de motor gemonteerd kan zijn. Routineonderhoud, afstellingen, aanpassingen of normale slijtage vallen niet onder deze garantie. De garantie is ook niet van toepassing als de machine is gewijzigd of aangepast, of als het serienummer van de motor is beschadigd of verwijderd. Deze garantie geldt niet voor schade aan de motor of prestatieproblemen door:

1. Het gebruik van niet-originele Briggs & Stratton-onderdelen.
2. Het laten draaien van de motor met onvoldoende, vervuilde of de onjuiste soort smeerolie;
3. Het gebruik van vervuilde of niet-verse brandstof, benzine verrijkt met meer dan 10% ethanol of het gebruik van alternatieve brandstoffen zoals vloeibare petroleum of aardgas bij motoren die oorspronkelijk niet zijn ontwikkeld/gefabriceerd door Briggs & Stratton om op dergelijke brandstoffen te draaien;
4. Vuil dat in de motor terecht is gekomen vanwege een onjuist onderhoud of een onjuiste hermontage van de luchtfilter;
5. Het raken van een voorwerp met een snijblad van een roterende grasmaaier, losjes of onjuist geïnstalleerde bladtussenstukken, waaiers of andere aan de krukas gekoppelde onderdelen of een te strak gespannen v-snaar;
6. Bijbehorende onderdelen en eenheden zoals koppelingen, aandrijvingen en afstandsbedieningen van apparatuur die niet door Briggs & Stratton zijn geleverd;
7. Oververhitting als gevolg van grasresten, vuil en rommel of nesten van knaagdieren die de koelvinnen of het vliegwielfgebied verstoppen of door de motor te laten draaien zonder voldoende ventilatie;

De garantieservice is uitsluitend beschikbaar via erkende servicedealers van Briggs & Stratton. U vindt uw dichtstbijzijnde Geautoriseerde Service Dealer in onze "dealer locator" kaart op www.BRIGGSandSTRATTON.com of kijk in de 'Gouden Gids'.

80004537 (Rev.B)

Denne håndboken inneholder sikkerhetsinformasjon som gjør deg oppmerksom på farer og risiko forbundet med motorer, og hvordan du unngår dem. Den inneholder også instruksjoner for riktig bruk og vedlikehold av motoren. Fordi Briggs & Stratton ikke nødvendigvis vet hvilket utstyr motoren driver, er det viktig at du leser og forstår disse instruksjonene og instruksjonene for utstyret som motoren driver. **Ta vare på disse originalinstruksjonene for framtidig referanse.**

Merk: Tallene og illustrasjonene i denne håndboken er kun oppgitt som referanse og kan avvike fra din modell. Kontakt forhandleren hvis du har spørsmål.

For å skaffe reservedeler eller teknisk assistanse, må du notere motorens modell-, type- og kodenummer sammen med kjøpedato her. Disse numrene sitter på motoren (se avsnittet om **Tekniske egenskaper og kontroller**).

Kjøpedato:	
Modell - Type - Trim	
Motorens serienumre	

Se etter 2D strekkoden som finnes på enkelte motorer. Når koden leses med en 2D-avleser, vil den vise vår nettside der du kan få tilgang til støtteinformasjon for dette produktet. Internetpriser gjelder. Det kan hende at online støtte ikke er tilgjengelig i enkelte land.



Informasjon om gjenvinning

		Alt pakningsmateriale, brukt olje og batterier skal gjenvinnes i henhold til avfallsforskriften.
--	--	--

Brukerens sikkerhet

Advarselsymbol og signalord

Symbolet for sikkerhetsadvarsel er brukt til å identifiserer sikkerhetsinformasjon angående farer som kan medføre personskade. Et signalord (FARE, ADVARSEL, eller FORSIKTIG) er brukt i tillegg til advarselsymbolet for å angi risikograden og det potensielle omfanget av skaden. Det kan i tillegg benyttes et faresymbol som angir hvilken type fare det gjelder.

FARE viser til en fare som vil føre til død eller alvorlige personskader hvis den ikke unngås.

ADVARSEL viser til en fare som kan føre til død eller alvorlige personskader hvis den ikke unngås.

FORSIKTIG viser til en fare som kan føre til mindre eller moderate personskader hvis den ikke unngås.

OBS viser til en handling som kan føre til skade på produktet.

Faresymboler og deres betydning

Symbol	Betydning	Symbol	Betydning
	Sikkerhetsinformasjon om farer som kan føre til personlige skader.		Les og forstå brukerhåndboken før du bruker eller vedlikeholder enheten.
	Brannfare		Fare for eksplosjon

Symbol	Betydning	Symbol	Betydning
	Fare for støt.		Fare for giftige gasser
	Fare for varm overflate		Støyfare - Hørselsvern anbefales ved langvarig bruk.
	Fare for at gjenstander kan slynges ut - Bruk vernebriller.		Fare for eksplosjon
	Fare for frostskafer		Fare for tilbakeslag
	Fare for amputasjon - bevegelige deler		Kjemikaliefare
	Termisk fare (varme)		Etsende

Sikkerhetsmeldinger



ADVARSEL

Visse komponenter i dette produktet og tilhørende utstyr inneholder kjemikalier som ifølge delstaten California er kreftfremkallende og forårsaker fosterskader eller andre skader på forplantningssystemet. Vask hendene etter håndtering.



ADVARSEL

Avgass fra denne motoren inneholder kjemikalier som ifølge delstaten California er kreftfremkallende og forårsaker fosterskader eller andre skader på forplantningssystemet.



ADVARSEL

Briggs & Stratton motorene er ikke konstruert for og må ikke brukes til å drive: rallykarter, gokarter, barns kjøretøy, fritidskjøretøy eller terrengkjøretøy (ATV), motorsyklar, hoverbåter, flyprodukter eller kjøretøy som brukes i konkurranser som ikke er godkjent av Briggs & Stratton. For informasjon om produkter til konkurransekjøring, se www.briggsracing.com. For bruk på nyttekjøretøy og ATV'er med to seter ved siden av hverandre (side-by-side), vennligst ta kontakt med Briggs & Stratton Engine Application Center, 1-866-927-3349. Feil bruk av motorer kan resultere i alvorlige skader eller dødsulykker.

OBS

Denne motoren ble sendt fra Briggs & Stratton uten olje. Før motoren startes, må du sørge for å fylle på olje i henhold til anvisningene i denne håndboken. Hvis motoren startes uten olje, vil den skades slik at den ikke kan repareres, og den vil ikke være dekket av garantien.



ADVARSEL



Drivstoff og drivstoffdamp er meget brannfarlig og eksplosiv.

En brann eller eksplosjon kan føre til alvorlige brannskader eller dødsfall.

Når du fyller drivstoff

- Slå av motoren og la den avkjøles i minst 2 minutter før du tar lokket av drivstofftanken.
- Fyll drivstofftanken utendørs eller på et godt ventilt område.

- Drivstofftanken må ikke overfylles. Ikke fyll ovenfor bunnen på drivstofftankens hals for å gi drivstoffet plass til å utvide seg.
- Hold drivstoff unna gnister, åpen flamme, sparebluss, varme og andre tennkilder.
- Kontroller drivstoffslanger, tank, lokk og fester ofte for sprekker og lekkasjer. Skift disse om nødvendig
- Hvis du har sølt drivstoff må du vente til det har fordampet før du starter motoren.

Når du starter motoren

- Sjekk at tennpluggen, eksospotten, lokket på drivstofftanken og luftfilteret (hvis montert) sitter godt på plass.
- Motoren må ikke dreies rundt hvis tennpluggen er fjernet.
- Hvis motoren drukner, sett choken (hvis montert) i stillingen OPEN / RUN (åpen/kjør), sett gassen (hvis montert) i stillingen FAST (hurtig) og drei motoren rundt til den starter.

Når du bruker utstyret

- Motoren eller maskinen må IKKE veltes i en vinkel der drivstoff kan renne ut.
- Motoren må ikke stanses ved å kvele forgasseren.
- Motoren må aldri startes eller kjøres uten luftfilterenheten (hvis montert) eller luftfilteret (hvis montert).

Når du skifter olje

- Hvis oljen tømmes ut av oljepåfyllingsrøret på toppen, må drivstofftanken være tom, ellers kan drivstoff renne ut og forårsake brann eller eksplosjon.

Når maskinen veltes for å utføre vedlikehold

- Når det er nødvendig å velte maskinen for å utføre vedlikehold, må drivstofftanken være tom, ellers kan drivstoff renne ut og forårsake brann eller eksplosjon.

Når du transporterer utstyret

- Transporteres med TOM drivstofftank eller med drivstoffkranen i STENGT stilling.

Lagring av drivstoff eller maskiner med drivstoff på tanken

- Må oppbevares med avstand fra ovner, komfyrer, varmtvannsberedere eller andre enheter med pilotflamme eller andre antenneskilder da disse kan antenne drivstoffdamp.



ADVARSEL

Det vil dannes gnister når motoren startes.

Gnister kan antenne brannfarlig gass i nærheten.

Dette kan føre til eksplosjon og brann.

- Hvis det finnes lekkasjer av naturgass eller flytende petroleumsgass (LP) i området, må du ikke starte motoren.
- Bruk ikke startvæsker under trykk, da dampen er lettantennelig.



ADVARSEL

FARE FOR GIFTIG GASS. Eksosen fra motoren inneholder karbonmonoksid, en giftig gass som kan ta livet av deg i løpet av få minutter. Du KAN IKKE se, lukte eller smake den. Selv om du ikke lukter eksos, kan du likevel bli utsatt for karbonmonoksid-gass. Hvis du begynner å føle deg kvalm, svimmel eller svak mens du bruker dette produktet, trekk litt frisk luft MED EN GANG. Oppsøk lege. Det er mulig du er blitt forgiftet av karbonmonoksid.

- Dette produktet må KUN brukes utendørs, og langt unna vinduer, dører og ventiler for å redusere risikoen for at karbonmonoksid gass kan samle seg opp og muligens trenge inn i bebodde arealer.
- Montere batteridrevne karbonmonoksid-alarmer eller innpluggbare karbonmonoksid-alarmer med batterireserve i henhold til produsentens veiledning. Røykvarslerer registrerer ikke karbonmonoksid gass.
- Dette produktet må IKKE brukes inne i boliger, garasjer, kjellere, boder eller i andre delvis lukkede rom, selv om det brukes vifter eller åpne dører og vinduer som ventilasjon. Karbonmonoksid kan raskt bygge seg opp i slike rom, og kan bli værende på samme sted i flere timer, selv etter at dette produktet er slått av.
- Dette produktet må ALLTID plasseres i medvind og med eksosutslippet vendt bort fra bebodde arealer.



ADVARSEL

Hurtig tilbakespoling av startsnoren (tilbakeslag) vil trekke hånden og armen din raskere mot motoren enn du klarer å slippe taket.

Dette kan føre til benbrudd, frakturer, blåmerker eller forstuing.

- Når du starter motoren, trekk startsnoren sakte ut til du begynner å kjenne motstand, og trekk den deretter raskt ut for å unngå tilbakeslag.
- Ta av alt påmontert utstyr / motorbelastning før motoren startes.
- Maskinkomponenter som er montert direkte, slik som, men ikke begrenset til, kniver, viftehjul, remskiver, kjedehjul osv., må sitte godt fast.



ADVARSEL

Roterende deler kan komme i kontakt med eller infiltreres i hender, føtter, klær eller tilbehør.

Dette kan føre til traumatisk amputasjon av lemsdeler eller store sårskader.

- Dekslene må alltid sitte på plass når maskinen er i bruk.
- Hold hender og føtter borte fra roterende deler.
- Sett opp langt hår og ta av smykker.
- Du må ikke ha på deg løstsittende klær, snører som henger løst eller noe annet som kan sette seg fast i maskinen.



ADVARSEL

Motorer som er i gang utvikler varme. Motordeler, spesielt eksospotter, blir veldig varme.

Berøring av slike deler kan forårsake alvorlige brannskader.

Brennbart materiale, slik som løv, gress, småkratt osv., kan antennes.

- La eksospotten, motorsylinderen og ribbene avkjøles før de berøres.
- Ta bort oppsamlet rusk fra området rundt eksospotten og sylinderen.
- Det er et brudd på Californias lov om offentlige ressurser, §4442, å bruke eller ha motoren i gang på et skogkledd, kratt-dekket, eller gresskledd stykke land med mindre eksossystemet er utstyrt med en gnistfanger som er holdt i fullgod stand, slik som definert i § 4442. Andre stater eller føderale jurisdiksjoner kan ha liknende lover. Kontakt maskinprodusenten, detaljisten eller forhandleren for å få en gnistfanger som er laget til eksossystemet installert på denne motoren.



ADVARSEL

En tilfeldig gnist kan forårsake brann eller elektrisk støt.

Utilsiktet start kan resultere i infiltrering, traumatisk amputasjon eller sårskader.

Brannfare

Før du utfører justeringer eller reparasjoner

- Koble fra tennpluggledningen og hold den unna tennpluggen.
- Koble fra den negative batteripolen (gjelder kun motorer med elektrisk start).
- Bruk kun riktig verktøy.
- Ikke kluss med regulatorfjærene, forbindelsesleddene eller andre deler for å øke motorturtallet.
- Reservedeler må alltid være av samme type og monteres i samme stilling som de originale delene. Andre deler kan muligens ikke yte like bra, kan skade enheten og kan resultere i personskade.
- Slå aldri på svinghjulet med en hammer eller en annen hard gjenstand da svinghjulet kan sprekke senere under drift.

Ved testing av gnist

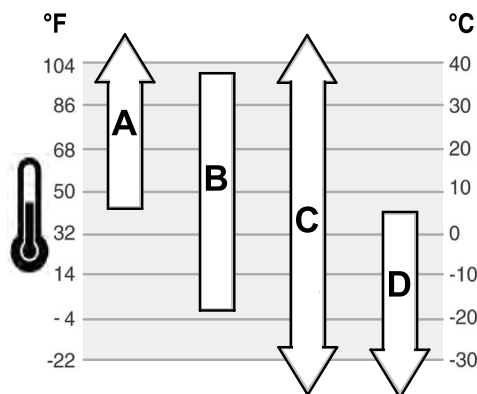
- Bruk en godkjent tennpluggtester.
- Ikke sjekk om det er gnist hvis tennpluggen er fjernet.

Funksjoner og kontroller

Motorkontroller

Sammenligne illustrasjonen (Figur: 1, 2, 3) med motoren for å bli kjent med hvor de forskjellige funksjonene og kontrollene er plassert.

- A. Motoridentifikasjonsnumre **Modell - Type - Kode**
- B. Tennplugg
- C. Drivstofftank og lokk
- D. Luffilter
- E. Startsnor-håndtak
- F. Peilepinne
- G. Eksospotte, eksosspottedeksel (hvis montert) , gnistfanger (hvis montert)
- H. Luftinntaksgitter
- I. Gasspak (hvis montert)
- J. Choke (hvis montert)
- K. Drivstoffkran (hvis montert)
- L. Stoppbryter (hvis montert)



A	SAE 30 - Under 40°F (4°C) vil bruk av SAE 30 resultere i vanskelig start.
B	10W-30 - Over 80°F (27°C) vil bruk av 10W-30 kunne forårsake økt oljeforbruk. Sjekk oljenivået oftere.
C	Syntetisk 5W-30
D	5W-30

Symboler for motorkontroller og deres betydning

Symbol	Betydning	Symbol	Betydning
	Motorhastighet - HURTIG		Motorhastighet - SAKTE
	Motorhastighet - STOPP		PÅ - AV
	Start av motor - Choke LUKKET		Start av motor - Choke ÅPEN
	Drivstofflokk Drivstoffutkobling - ÅPEN		Drivstoffutkobling - LUKKET
	Drivstoffnivå - Ikke overfyll		

Bruk

Anbefalt olje

Oljekapasitet: Se avsnittet om *Spesifikasjoner*.

Vi anbefaler bruk av Briggs & Stratton garanti sertifiserte oljer for optimal ytelse. Andre høykvalitets renseoljer er tillatte hvis de er klassifisert for service SF, SG, SH, SJ, eller høyere. Ikke bruk spesielle tilsetningsstoffer.

Utetemperaturer avgjør den riktige oljeviskositeten for motoren. Bruk tabellen til å velge den optimale viskositeten for de forventede utetemperaturer.

Sjeking av oljenivået

Se figur: 4

Før oljen fylles på og sjekkes

- Sjekk at motoren står vannrett.
- Fjern alt rusk rundt oljepåfyllingen.

1. Ta ut peilepinnen (A, Figur 4) og tørk av den med en ren klut.
2. Sett inn og stram peilepinnen (A, Figur 4).
3. Ta ut peilepinnen og sjekk oljenivået. Korrekt oljenivå er øverst på full-indikatoren (B, Figur 4) på peilestikken.
4. Hvis oljenivået er lavt, fyller oljen i motoroljepåfyllingen (C, Figur 4). **Ikke overfyll.** Etter å ha tilsatt olje, vent ett minutt og sjekk oljenivået på nytt.
5. Sett inn og stram peilestikken (A, Figur 4).

Anbefalt drivstoff

Drivstoff må oppfylle disse kravene:

- Ren, ny, blyfri bensin.
- Minimum 87 oktan/87 AKI (91 RON). For bruk i store høyder, se nedenfor.
- Bensin med opptil 10% etanol (gasohol) kan brukes.

OBS Bruk aldri ikke-godkjent bensin, slik som E15 og E85. Ikke bland olje i bensinen eller endre motoren til å kjøre på alternative drivstoff. Bruk av drivstoff som ikke er godkjent vil forårsake at deler i motoren påføres skader som ikke er dekket av garantien.

Beskytt drivstoffsystemet mot gummidannelse ved å blande en drivstoffstabilisator i drivstoffet. Se **Lagring**. Alt drivstoff er ikke det samme. Hvis det oppstår problemer med start eller ytelse, bytt drivstoff-leverandører eller skift merke. Denne motoren er sertifisert for bruk med bensin. Utslippskontrollsystemet for denne motoren er EM (Engine Modifications - Modifiseringer av motoren).

Store høyder

I høyder på over 1524 meter (5000 fot) må det brukes minimum 85-oktan/85 AKI (89 RON) bensin.

Det er nødvendig å justere forgassermotorer for bruk i store høyder for å opprettholde ytelsen. Drift uten denne justeringen vil føre til redusert ytelse, økt drivstofforbruk, og økte utslipp. Kontakt en Briggs & Stratton-autorisert forhandler for informasjon ang. tilpasning til store høyder. Bruk av motoren i høyder under 762 meter (2500 fot) hvis den er justert for bruk i store høyder anbefales ikke.

Det er ikke nødvendig å justere motorer med elektronisk drivstoffinjeksjon (EFI) for bruk i store høyder.

Tilfør drivstoff

Se figur: 5



ADVARSEL

Drivstoff og deres gasser er meget brannfarlige og eksplosive.

En brann eller eksplosjon kan føre til alvorlige brannskader eller dødsulykker.

Når drivstoff tilføres

- Slå av motoren og la den avkjøles i minst 2 minutter før du tar av tanklokket.
- Fyll drivstofftanken utendørs eller i godt ventilert område.
- Overfyll ikke drivstofftanken. For å gjøre plass til utvidelse av drivstoffet, ikke fyll opp til over bunnen på tankens hals.
- Hold drivstoff unna gnister, åpen flamme, sparebluss, varme og andre antenneskilder.
- Sjekk drivstoffslanger, tank, lokk og fester ofte for sprekker og lekkasjer. Skift ut om nødvendig.
- Hvis du har sølt drivstoff, må du vente til det har fordampet, før du starter opp motoren.

1. Rengjør tanklokk-området for smuss og rusk. Ta av tanklokket
2. fyll drivstofftanken (A, Figur 5) med drivstoff. For å gjøre plass til utvidelse av drivstoffet, ikke fyll opp til over bunnen på tankens hals. (B).
3. Sett lokket på drivstofftanken.

Start og stans av motoren

Se Figur: 6, 7, 8, 9

Start av motoren



ADVARSEL

Hurtig tilbakespoling av startsnoren (tilbakeslag) vil trekke hånden og armen din raskere mot motoren enn du klarer å slippe taket.

Dette kan føre til benbrudd, frakturer, blåmerker eller forstuing.

- Når du starter motoren, trekk startsnoren sakte ut til du begynner å kjenne motstand, og trekk den deretter raskt ut for å unngå tilbakeslag.



ADVARSEL

Drivstoff og drivstoffdamp er meget brannfarlig og eksplosiv.

En brann eller eksplosjon kan føre til alvorlige brannskader eller dødsfall.

Når du starter motoren

- Sjekk at tennpluggen, eksospotten, lokket på drivstofftanken og luftfilteret (hvis montert) sitter godt på plass.
- Motoren må ikke dreies rundt hvis tennpluggen er fjernet.
- Hvis motoren drukner, sett choken (hvis montert) i stillingen OPEN / RUN (åpen/kjør), sett gassen (hvis montert) i stillingen FAST (hurtig) og drei motoren rundt til den starter.



ADVARSEL

FARE FOR GIFTIG GASS. Eksosen fra motoren inneholder karbonmonoksid, en giftig gass som kan ta livet av deg i løpet av få minutter. Du KAN IKKE se, lukte eller smake den. Selv om du ikke lukter eksos, kan du likevel bli utsatt for karbonmonoksid-gass. Hvis du begynner å føle deg kvalm, svimmel eller svak mens du bruker dette produktet, må du stanse det og ØYEBLIKKEG gå ut i frisk luft. Oppsøk lege. Det er mulig du er blitt forgiftet av karbonmonoksid.

- Dette produktet må KUN brukes utendørs, og langt unna vinduer, dører og ventiler for å redusere risikoen for at karbonmonoksid gass kan samle seg opp og muligens trenge inn i bebodde arealer.
- Montere batteridrevne karbonmonoksid-alarmer eller innpluggbare karbonmonoksid-alarmer med batterireserve i henhold til produsentens veiledning. Røykvarslere registrerer ikke karbonmonoksid gass.
- Dette produktet må IKKE brukes inne i boliger, garasjer, kjellere, boder eller i andre delvis lukkede rom, selv om det brukes vifter eller åpne dører og vinduer som ventilasjon. Karbonmonoksid kan raskt bygge seg opp i slike rom, og kan bli værende på samme sted i flere timer, selv etter at dette produktet er slått av.
- Dette produktet må ALLTID plasseres i medvind og med eksosutslippet vendt bort fra bebodde arealer.

OBS Denne motoren ble sendt fra Briggs & Stratton uten olje. Før motoren startes, må du sørge for å fylle på olje i henhold til anvisningene i denne håndboken. Hvis motoren startes uten olje, vil den skades slik at den ikke kan repareres, og den vil ikke være dekket av garantien.

Finn hvilket startsystem motoren har

Du må finne ut hvilken type startsystem motoren har før den startes. Motoren din vil ha en av de følgende typene.

- **ReadyStart® systemet:** Denne typen har en temperaturstyrt automatisk choke. Den har ikke en primer.
- **Chokesystemet:** Denne typen har en choke som skal brukes for å starte når det er kaldt ute. Noen modeller har en separat choke mens andre har en kombinert choke-/gasspak. Denne typen har ikke en primer.

Start motoren ved å følge instruksjonene som gjelder for din type startsystem.

Merk: Det kan hende at maskinen har fjernkontroller. Se håndboken som tilhører maskinen for plassering og bruk av fjernkontroller.

ReadyStart® system

1. Sjekk motoroljen. Se under **Sjekk av oljenivå**.
2. Sjekk at maskinens drivkontroller, hvis montert, er koblet ut.
3. Sett drivstoffkranen (A, Figur 6), hvis montert, i stillingen OPEN (åpen).
4. Sett gasspaken (B, Figur 6), hvis montert, i stillingen FAST (hurtig). Motoren skal kjøres i stillingen FAST (hurtig).
5. Press stoppbryteren (D, Figur 7), hvis montert, i stillingen ON (på).
6. Hvis produktet er utstyrt med en motorstoppespak (C, Figur 8), holdes motorstoppespaken mot håndtaket.
7. **Snorstart, hvis montert:** Ta et godt tak i håndtaket på startsnoren (G, Figur 6). Trekk håndtaket på startsnoren sakte ut til du begynner å kjenne motstand, trekk deretter hardt til.



ADVARSEL

Hurtig tilbakespoling av startsnoren (tilbakeslag) vil trekke hånden og armen din raskere mot motoren enn du klarer å slippe taket. Dette kan føre til benbrudd, frakturer, blåmerker eller forstuing. Når du starter motoren, trekk startsnoren sakte ut til du begynner å kjenne motstand, og trekk den deretter raskt ut for å unngå tilbakeslag.

8. **Elektrisk start, hvis montert:** Vri tenningsbryteren i stillingen ON/START (på/start).

OBS Bruk korte startsykluser for å forlenge starterens levetid (maks. fem sekunder). Vent ett minutt mellom startsyklusene.

Merk: Hvis ikke motoren starter etter gjentatte forsøk, ta kontakt med din lokale forhandler eller gå inn på BRIGGSandSTRATTON.com eller ring **1-800-233-3723** (i USA).

Chokesystemet

1. Sjekk motoroljen. Se under **Sjekk av oljenivå**.
2. Sjekk at maskinens drivkontroller, hvis montert, er koblet ut.
3. Sett drivstoffkranen (A, Figur 6), hvis montert, i stillingen OPEN (åpen).
4. Sett gasspaken (B, Figur 6), hvis montert, i stillingen FAST (hurtig). Motoren skal kjøres i stillingen FAST (hurtig).
5. Sett choken (F, Figur 9), i stillingen CLOSED (stengt).

Merk: Det er som regel unødvendig å bruke choken når du starter en varm motor på nytt.

6. Press stoppbryteren (D, Figur 9), hvis montert, i stillingen ON (på).
7. Hvis produktet har en motorstoppespak (C, Figur 8), skal denne holdes mot håndtaket.
8. **Snorstart, hvis montert:** Ta et godt tak i håndtaket på startsnoren (G, Figur 6). Trekk håndtaket på startsnoren sakte ut til du begynner å kjenne motstand, trekk deretter hardt til.



ADVARSEL

Hurtig tilbakespoling av startsnoren (tilbakeslag) vil trekke hånden og armen din raskere mot motoren enn du klarer å slippe taket. Dette kan føre til benbrudd, frakturer, blåmerker eller forstuing. Når du starter motoren, trekk startsnoren sakte ut til du begynner å kjenne motstand, og trekk den deretter raskt ut for å unngå tilbakeslag.

9. **Elektrisk start, hvis montert:** Vri tenningsbryteren i stillingen ON/START (på/start).

OBS Bruk korte startsykluser for å forlenge starterens levetid (maks. fem sekunder). Vent ett minutt mellom startsyklusene.

10. Flytt choken (F, Figur 9) mot stillingen OPEN / RUN (åpen/kjør) ettersom motoren varmes opp.

Merk: Hvis ikke motoren starter etter gjentatte forsøk, ta kontakt med din lokale forhandler eller gå inn på **BRIGGSandSTRATTON.com** eller ring **1-800-233-3723** (i USA).

Stans motoren



Drivstoff og drivstoffdamp er meget brannfarlig og eksplosiv.

En brann eller eksplosjon kan føre til alvorlige brannskader eller dødsfall.

- Motoren må ikke stanses ved å kvele forgasseren, hvis utstyrt.
1. **Stoppespak for motoren, hvis montert:** Frigjør motorens stoppespak (E, Figur 8).
Stoppbryter, hvis montert: Skyv stoppebryteren (D, Figur 7, 9) i stillingen OFF (av).
Gasspak, hvis montert: Sett gasspaken (B, Figur 6) i stillingen STOPP.
Elektrisk startnøkkel, hvis montert: Vri den elektriske startnøkkelen i stillingen OFF / STOP (av/stopp). Ta ut nøkkelen og legg den på et trygt sted som er utilgjengelig for barn.
 2. Sett drivstoffkranen (A, Figur 6), hvis montert, i stillingen CLOSED (stengt) etter at motoren har stanset.

Vedlikehold

OBS Hvis maskinen veltes under vedlikeholdsarbeidet, må drivstofftanken, hvis montert på motoren, være tom og siden der tennpluggen sitter må vende opp. Hvis bensintanken ikke er tom og maskinen veltes i en annen retning, kan det være vanskelig å starte den på grunn av olje- eller bensinsmitte til luftfilter og/eller tennplugg.



Når det er nødvendig å velte maskinen for å utføre vedlikehold, må drivstofftanken være tom, ellers kan drivstoff renne ut og forårsake brann eller eksplosjon.

Vi anbefaler at du tar kontakt med et autorisert Briggs & Stratton forhandlerverksted for å få utført alt vedlikeholdsarbeid og service av motoren og de tilhørende delene.

OBS Alle komponenter som er brukt i denne motoren må være montert for at den skal fungerer riktig.



En tilfeldig gnist kan forårsake brann eller elektrisk støt.

Utilsiktet oppstart kan resultere i infiltrering, traumatisk amputasjon eller sårskader.

Brannfare

Før justeringer eller reparasjoner utføres:

- Koble fra tennpluggledningen og hold den unna tennpluggen.
- Fjern batteripakken fra motorens batteribrett. Batteripakken kan være maskinens nøkkel i enkelte tilfeller.
- Bruk kun riktig verktøy.
- Ikke kluss med regulatorfjærene, forbindelsesleddene eller andre deler for å øke motorturtallet.
- Reservedeler må alltid være av samme type og monteres i samme stilling som de originale delene. Andre deler kan muligens ikke yte like bra, kan skade enheten og kan resultere i personskaade.
- Slå aldri på svinghjulet med en hammer eller en annen hard gjenstand da svinghjulet kan sprekke senere under drift.

Testing av gnist:

- Bruk en godkjent tennpluggtester.
- Ikke sjekk om det er gnist hvis tennpluggen er fjernet.

Avgasskontrollservice

Vedlikehold, utskifting eller reparasjon av avgasskontroll-enheter og systemer kan utføres av ethvert verksted eller av enkeltindivider. Men for å oppnå "gratis" avgasskontroll-service, må arbeidet utføres av en fabrikkautorisert forhandler. Se erklæringene som gjelder avgasskontroll.

Vedlikeholdsplan

Hver gang før bruk
<ul style="list-style-type: none">• Sjekk motorens oljenivå• Rengjør området rundt eksospotten og kontrollene• Rens luftinntaksgitteret
Hver 25. time eller en gang i året
<ul style="list-style-type: none">• Rens luftfilteret ¹• Rens forfilteret, hvis montert
Hver 50. time eller en gang i året
<ul style="list-style-type: none">• Utfør vedlikehold av eksossystemet
En gang i året
<ul style="list-style-type: none">• Skift tennplugg• Skift luftfiler• Skift ut forfilteret, hvis montert• Utfør vedlikehold av kjølesystemet ¹

¹ Rengjør oftere hvis arbeidsforholdene er veldig støvete eller hvis mye rusk virvles opp i luften.

Forgasser og motorhastighet

Forgasseren eller motorhastigheten må aldri endres. Forgasseren ble innstilt i fabrikk slik at den fungerer effektivt under de fleste forhold. Ikke kluss med regulatorfjæren, forbindelsesledd eller andre deler for å endre motorhastigheten. Hvis det er nødvendig å foreta justeringer, ta kontakt med et autorisert Briggs & Stratton forhandlerverksted for å få arbeidet utført.

OBS Maskinprodusenten spesifiserer maksimal hastighet for motoren som er montert på maskinen. Denne hastigheten må **ikke overskrides**. Hvis du er usikker på hva den maksimale hastigheten til maskinen er, eller hva slags motorhastighet som ble innstilt på fabrikk, ta kontakt med et autorisert Briggs & Stratton forhandlerverksted for å få hjelp. For at maskinen skal fungere på en trygg og riktig måte, må motorhastigheten kun justeres av en kvalifisert mekaniker .

Vedlikehold av tennpluggen.

Se figur: 10

Sjekk elektrodeavstanden (A, Figur 10) med en trådlære (B). Justere elektrodeavstanden hvis det er nødvendig. Sett inn tennpluggen og stram den med anbefalt tiltrekningsmoment. For innstilling av elektrodeavstand eller tiltrekningsmoment, se under **Spesifikasjoner**.

Merk: På enkelte steder må man i henhold til lokale forskrifter bruke en tennplugg av resistortypen for å dempe tennings signaler. Hvis denne motoren opprinnelig hadde en resistortennplugg, må samme type benyttes ved utskifting.

Vedlikehold av eksosystemet



Motoren som er i gang utvikler varme. Motordeler, spesielt eksospotter, blir meget varme.

Berøring av slike deler kan forårsake alvorlige brannskader.

Brennbart materiale, slik som løv, gress, småkratt osv., kan antennes.

- La eksospotte, motorsylinder og ribber avkjøles før de berøres.
- Ta bort oppsamlet rusk fra området rundt eksospotten og sylinderen.
- Det er et brudd på Californias Lov om offentlige ressurser, seksjon 4442, å bruke eller ha motoren i gang på et skogkledd, kratt-dekket, eller gresskledd stykke land med mindre eksosystemet er utstyrt med en gnistfanger, slik dette er definert i seksjon 4442, og holdt i fullgod stand. Andre stater eller føderale jurisdiksjoner kan

ha liknende lover. Kontakt maskinprodusenten, detaljisten eller forhandleren for å få en gnistfanger som er laget til eksossystemet installert på denne motoren.

Ta bort oppsamlet rusk fra området rundt eksospotten og sylindere. Sjekk om eksospotten har sprekker, korrosjon eller annen skade. Fjern ledeplaten eller gnistfangeren, hvis montert, og se etter skader eller karbonblokkering. Hvis det finnes skader, må delene skiftes ut før maskinen brukes.



ADVARSEL

Reservevedler må alltid være av samme type og monteres i samme posisjon som de originale delene. Andre deler kan muligens ikke yte like bra, kan skade enheten og kan resultere i personlige skader.

Skift motorolje

Se Figur: 11, 12, 13



ADVARSEL



Drivstoff og drivstoffdamp er meget brannfarlig og eksplosiv.

En brann eller eksplosjon kan føre til alvorlige brannskader eller dødsfall.

Motorer som er i gang utvikler varme. Motordeler, spesielt eksospotter, blir veldig varme.

Berøring av slike deler kan forårsake alvorlige brannskader.

- Hvis oljen tømmes ut av oljepåfyllingsrøret på toppen, må drivstofftanken være tom, ellers kan drivstoff renne ut og forårsake brann eller eksplosjon.
- La eksospotten, motorsylindere og ribbene avkjøles før de berøres.

Sjekk og fyll olje etter behov. Se avsnittet Slik kontrolleres oljen / Slik tilsettes olje. Det er ikke nødvendig å skifte olje, men hvis du ønsker å gjøre det, skiftes oljen ved å følge fremgangsmåten nedenfor.

Brukt olje er et farlig avfallsprodukt og må behandles som spesialavfall. Må ikke kastes sammen med husholdningsavfall. Sjekk med lokale myndigheter, servicesenter eller forhandler angående offentlige kasserings-/gjenvinningsanlegg.

Tømming av olje

Oljen må tømmes ut av oljepåfyllingsrøret på toppen.

1. Koble fra tennpluggledningen (D, Figur 11) mens motoren er slått av men fortsatt varm, og hold den unna tennpluggen (E).
2. Ta ut peilepinnen (A, Figur 12).
3. Hvis du tømmer oljen fra oljepåfyllingsrøret på toppen (C, Figur 13), må siden på maskinen der tennpluggen (E) sitter vende opp. Tapp av oljen på en godkjent beholder.



ADVARSEL

Hvis oljen tømmes ut av oljepåfyllingsrøret på toppen, må drivstofftanken være tom, ellers kan drivstoff renne ut og forårsake brann eller eksplosjon. Drivstofftanken tømmes ved å kjøre motoren til den går tom for drivstoff og stanser.

Påfylling av olje

- Sjekk at motoren står vannrett.
- Rengjør området rundt oljepåfyllingen for å fjerne alt rusk.
- Se under **Spesifikasjoner** for oljekapasiteten.

1. Ta ut peilepinnen (A, Figur 12) og tørk av den med en ren klut.
2. Hell oljen sakte i motoroljepåfyllingen (C, Figur 12). **Ikke overfyll.** Etter å ha fylt på olje, vent ett minutt og sjekk deretter oljenivået.
3. Sett inn og stram peilepinnen (A, Figur 12).
4. Ta ut peilepinnen og sjekk oljenivået. Riktig oljenivå er øverst på full-indikatoren (B, Figur 12) på peilepinnen.
5. Sett inn og stram peilepinnen (A, Figur 12).
6. Koble tennpluggledningen (D, Figur 11) til tennpluggen (E).

Utfør vedlikehold på luftfilteret

Se Figur: 14



ADVARSEL



Drivstoff og drivstoffdamp er meget brannfarlig og eksplosiv.

En brann eller eksplosjon kan føre til alvorlige brannskader eller dødsfall.

- Motoren må aldri startes og kjøres hvis luftfilterenheten (hvis montert) eller luftfilteret (hvis montert) er tatt av.

OBS Bruk ikke trykkluft eller løsemidler til å rengjøre filteret. Trykkluft kan skade filteret og løsemidler vil gjøre at filteret går i oppløsning.

Se **Vedlikeholdsplanen** for informasjon om service.

Papirluftfilter

1. Åpne dekslet (B, Figur 14).
2. Ta av dekslet (C, Figur 14).
3. Ta forfilteret (E, Figur 14), hvis montert, av filteret. Bank filteret forsiktig mot en hard flate for å løsne smuss. Hvis filteret er veldig skittent, bytt det ut med et nytt filter.
4. Vask forfilteret i flytende vaskemiddel og vann. La det deretter lufttørkes slik at det er helt tørt. **Forfilteret skal ikke oljes.**
5. Sett det tørre forfilteret, hvis montert, på filteret.
6. Sett inn filteret (C, Figur 14).
7. Lukk dekslet (B, Figur 14).

Vedlikehold av kjølesystemet



ADVARSEL



Motorer som er i gang utvikler varme. Motordeler, spesielt eksospotten, blir meget varme.

Berøring av slike deler kan forårsake alvorlige brannskader.

Brennbar materiale, slik som løv, gress, småkratt osv., kan antennes.

- La eksospotte, motorsylinder og ribber avkjøles før de berøres.
- Ta bort oppsamlet rusk fra området rundt eksospotten og sylindere.

OBS Motoren må aldri rengjøres med vann. Vann kan forurense drivstoffsystemet. Bruk en børste eller en tørr klut til å rengjøre motoren.

Dette er en luftkjølt motor. Skitt eller rust kan hemme luftstrømmen og føre til at motoren overoppheves slik at den gir dårlig ytelse og får kortere levetid.

1. 2 Bruk en børste eller en tørr klut til å fjerne partikler fra luftinntaksgitteret (A).
2. Hold forbindelsesledd, fjær og kontroller rene.
3. Hold området rundt og bak eksospotten fritt for brennbar materiale.
4. Sjekk at oljekjølerribbene, hvis montert, er frie for smuss og rusk.

Rusk kan samle seg over tid i sylindere kjøleribber og føre til at motoren overoppheves. Rusket kan ikke fjernes uten at motoren delvis demonteres. Be et autorisert Briggs & Stratton forhandlerverksted om å inspisere og rengjøre kjølesystemet slik som anbefalt i **Vedlikeholdsplanen**.

Lagring



ADVARSEL



Drivstoff og drivstoffdamp er meget brannfarlig og eksplosiv.

En brann eller eksplosjon kan føre til alvorlige brannskader eller dødsfall.

Lagring av drivstoff eller maskiner med drivstoff på tanken

- Må oppbevares med avstand fra ovner, komfyrer, varmtvannsberedere eller andre enheter med pilotflamme eller andre antennelseskilder da disse kan antenne drivstoffdamp.

OBS Motoren skal stå vannrett (i normal driftsposisjon) under lagringen. Se videre instruksjoner for lagring i håndboken som tilhører utstyret.

Drivstoffsystemet

Drivstoff kan bli harskt når det oppbevares i mer enn 30 dager. Harskt drivstoff forårsaker at det dannes syre- og gummiavleiringer i drivstoffsystemet eller på viktige forgasserdelene.

For å holde drivstoff ferskt, bruk **Briggs & Stratton Advanced Formula Fuel Treatment & Stabilizer** (drivstoffstabilisator) som er tilgjengelig overalt der det selges Briggs & Stratton originale reservedeler.

Det er ikke nødvendig å tappe bensin fra motoren hvis en drivstoffstabilisator tilsettes i henhold til instruksjonene. Kjør motoren i to (2) minutter for å la stabilisatoren sirkulere i hele drivstoffsystemet før du setter maskinen til lagring.

Hvis bensinen i motoren ikke har vært behandlet med en drivstoffstabilisator, bør den tappes ut og opp i en godkjent beholder. Kjør motoren til den stopper pga. mangel på drivstoff. Bruk av en drivstoffstabilisator i lagringstanken anbefales for å opprettholde ferskhet.

Motorolje

Et oljeskift er ikke nødvendig, men hvis du ønsker å skifte oljen, gjør dette mens motoren er varm. Se under **Skifte av motorolje**.

Feilsøking

Hvis du trenger hjelp, ta kontakt med din lokale forhandler eller gå inn på **BRIGGSandSTRATTON.com** eller ring **1-800-233-3723** (i USA).

Spesifikasjoner

Modell: 100000	
Sylindervolum	9.93 ci (163 cc)
Sylinderboring	2.688 in (68,28 mm)
Slaglengde	1.75 in (44,45 mm)
Oljekapasitet	15 oz (.44 L)
Tennpluggens elektrodeavstand	.030 in (.76 mm)
Tennpluggens tiltrekningsmoment	180 lb-in (20 Nm)
Tennspolens luftspalte	.006 - .014 in (.15 - .36 mm)
Klaring for inntaksventil	.004 - .008 in (.10 - .20 mm)
Klaring for eksosventil	.004 - .008 in (.10 - .20 mm)

Modell: 093J00	
Sylindervolum	9.15 ci (150 cc)
Sylinderboring	2.583 in (65,60 mm)
Slaglengde	1.75 in (44,45 mm)
Oljekapasitet	15 oz (.44 L)
Tennpluggens elektrodeavstand	.020 in (.51 mm)
Tennpluggens tiltrekningsmoment	180 lb-in (20 Nm)
Tennspolens luftspalte	.006 - .014 in (.15 - .36 mm)
Klaring for inntaksventil	.004 - .008 in (.10 - .20 mm)
Klaring for eksosventil	.004 - .008 in (.10 - .20 mm)

Motorens ytelse vil reduseres med 3,5% for hver 1,000 fot (300 meter) over havet og med 1% for hver 10° F (5,6° C) over 77° F (25° C). Motoren vil fungere tilfredsstillende ved en vinkel på opp til 15°. Se maskinens brukerhåndbok for tillatt trygg arbeidsvinkel i bakker.

Reservedeler - Modell: 100000, 093J00	
Reserve del	Del nummer
Luffilter (se Figur 14)	593260
Luffilter, forfilter (se Figur 14)	594055
Olje - SAE 30	100113
Advanced Formula drivstofftilsetning og stabilisator	100117, 100120
Resistortennplugg (modell 100000)	594056
Resistortennplugg (modell 093J00)	692051
Tennpluggnøkkel	19576
Gnisttester	19368

Vi anbefaler at du tar kontakt med et autorisert Briggs & Stratton forhandlerverksted for å få utført alt vedlikeholdsarbeid og service av motoren og de tilhørende delene.

Effektberegning: Brutto effektberegning for individuelle bensinmotorer er merket i henhold til SAE-kode (Society of Automotive Engineers) J1940 Small Engine Power & Torque Rating Procedure, og er klassifisert i henhold til SAE J1995. Dreiemomentverdiene hentes ut ved 2600 RPM for motorer der "rpm" er nevnt på merket, og 3060 RPM for alle andre.

Verdiene for hestekrefter hentes ut ved 3600 RPM. Bruttoeffektkurver kan sees på www.BRIGGSandSTRATTON.COM. Nettoeffektverdiene er målt med eksos- og luffilter installert, mens bruttoeffektverdiene er målt uten at disse er montert. Reell brutto motoreffekt vil være høyere enn netto motoreffekt og påvirkes av blant annet forhold i omgivelsene og variasjoner fra motor til motor. På grunn av det brede spektret av produkter som motorene er montert på, kan det hende at en bensinmotor ikke vil oppnå nominell bruttoeffekt når den brukes i et bestemt stykke motordrevet utstyr. Denne forskjellen skyldes en rekke faktorer, inkludert, men ikke begrenset til, variasjonen i motordeler (luffilter, eksos, lader, kjøleanlegg, forgasser, drivstoffpumpe osv.), begrensninger i bruk, forhold i omgivelsene (temperatur, fuktighet, høyde), og variasjoner fra motor til motor. Grunnet begrensninger i produksjon og kapasitet, kan Briggs & Stratton erstatte en motor med høyere nominell effekt for denne motoren.

Garanti

Briggs & Stratton motorgaranti

Gyldig fra januar 2016

Begrenset garanti

Briggs & Stratton garanterer at de vil reparere eller erstatte kostnadsfritt alle deler med feil i materiale eller utførelse eller begge deler i løpet av garantiperioden som er angitt nedenfor. Transportkostnader for et produkt som leveres inn for reparasjon eller utskifting under denne garantien må dekkes av kjøperen. Denne garantien gjelder for og er underlagt tidsperiodene og betingelsene nedenfor. Finn nærmeste autoriserte forhandlerverksted ved hjelp av vårt kart over forhandlere på BRIGGSandSTRATTON.COM. Kjøperen må kontakte det autoriserte forhandlerverkstedet, og deretter gjøre produktet tilgjengelig for det autoriserte forhandlerverkstedet for inspeksjon og testing.

Det er ingen andre uttrykte garantier. Underforståtte garantier, herunder om salgbarhet og egnethet til et bestemt formål, er begrenset til garantiperioden som er gitt nedenfor, eller til perioden som loven tillater. Ansvar for tilfældige skader eller følgeskader er utelukkende i den grad utelukkelse er tillatt ved lov. Noen land tillater ikke begrensninger på hvor lenge en underforstått garanti varer, og i noen land tillates ikke fraskrivelse eller begrensning av tilfældige skader eller følgeskader, så det som er angitt ovenfor angående begrensninger og utelukkelse gjelder kanskje ikke for deg. Denne garantien gir deg spesifikke lovmessige og andre rettigheter som kan variere fra land til land ⁴.

Standard garantivilkår 1, 2

Merke / Produktnavn	Privat bruk	Profesjonell bruk
Vanguard™ ³	36 måneder	36 måneder
Commercial Turf Series™ ; Kommersiell serie	24 måneder	24 måneder
Motorer med Dura-Bore™ støpejernsforing	24 måneder	12 måneder
Alle andre Briggs & Stratton motorer	24 måneder	3 måneder

¹ Dette er våre standard garantivilkår, men noen ganger kan det være ekstra garantidekning som ikke var bestemt på det tidspunktet dokumentasjonen gikk i trykken. For å se en liste over aktuelle garantivilkår for din maskin, gå inn på BRIGGSandSTRATTON.com eller henvend deg til ditt autoriserte Briggs & Stratton forhandlerverksted.

² Det er ingen garanti på motorer på utstyr som brukes til hoveddrivkraft istedet for hjelpedrivkraft eller til reservegeneratorer som brukes kommersielt. Motorer som er brukt til konkurransekjøring eller på kommersielle eller utleide baner er ikke dekket av garantien.

³ Vanguard montert på reservegeneratorer: 24 måneder for privat bruk, ingen garanti for kommersiell bruk. Vanguard montert på nyttekjøretøy: 24 måneder for privat bruk, 24 måneder for kommersiell bruk. Vanguard med 3-sylindrer og væskekjøling: se Briggs & Stratton garantivilkår for 3/LC motorer.

⁴ I Australia har våre varer garantier som ikke kan ekskluderes under den australske forbrukerloven. Du har rett til erstatning eller tilbakebetaling for en større feil, og til kompensasjon for alle andre rimelig forutsigbare tap eller skader. Du har også rett til å få varene reparert eller erstattet dersom varene ikke er av akseptabel kvalitet og svikten ikke er av en alvorlig art. For service under garantien, finn nærmeste autoriserte forhandlerverksted på kartet over forhandlere på BRIGGSandSTRATTON.com, eller ved å ringe 1300 274 447, eller ved å sende e-post eller skrive til salesenquiries@briggsandstratton.com.au, Briggs & Stratton Australia Pty Ltd, 1 Moorebank Avenue, Moorebank, NSW, Australia, 2170.

Garanti perioden begynner på den originale salgsdatoen til første forbruker eller kommersielle kunde. Med "privat bruk" menes personlig bruk av en forbruker i tilknytning til en husholdning som har skaffet seg varen fra en detaljhandler. Med "kommersiell bruk" menes all annen bruk, inkludert bruk for kommersielle aktører, inntektsgenererende virksomheter eller utleieformål. Så snart en motor er blitt anvendt til kommersiell bruk, vil den deretter bli betraktet som en kommersielt brukt motor med hensyn til garantien.

Ta vare på bevis på kjøpet i form av kvittering. Hvis du ikke kan legge fram bevis på første salgsdato når garantiservice forespørres, vil produksjonsdatoen for produktet bli brukt til å bestemme garantiperioden. Det er ikke nødvendig å registrere produktet for å få utført garantiservice på Briggs & Stratton produkter.

Om garantien

Denne begrensede garantien dekker kun defekter i materialer og/eller utførelse for motoren, og ikke erstatning eller tilbakebetaling for utstyret som motoren eventuelt er montert på. Rutinemessig vedlikehold, trimming, justeringer eller normal slitasje dekkes ikke av denne garantien. Garantien er heller ikke gyldig hvis motoren er blitt endret eller modifisert eller hvis motorens serienummer er ødelagt eller fjernet. Denne garantien dekker ikke skader på motor eller problemer med ytelse forårsaket av:

1. Bruk av deler som ikke er originale Briggs & Stratton deler;
2. Bruk av motoren med for lite olje, forurenset olje eller feil type olje;
3. Bruk av forurenset eller gammelt drivstoff, bensin som inneholder mer enn 10 % etanol, eller bruk av alternativt drivstoff slik som forskjellige typer flytende petroleum eller naturgass i motorer som ikke var opprinnelig konstruert/produert av Briggs & Stratton til å bruke slike drivstofftyper;
4. Smuss som har kommet inn i motoren som resultat av feil vedlikehold eller feil montering av luftfilteret;
5. At kniven på en roterende gressklipper har truffet en gjenstand, løse eller feil monterte knivadapere, viftehjul eller andre deler som er koblet til veivakselen, eller at v-remmen er for stram;
6. Tilhørende deler eller enheter slik som kløtsjer, transmisjoner, kontroller for utstyr osv. som ikke er levert av Briggs & Stratton;
7. Overoppheting som resultat av at gressrester, rusk og partikler eller musereir blokkerer eller tetter igjen kjøleribbene eller svinghjulsområdet, eller skader forårsaket av at motoren er blitt brukt uten tilstrekkelig ventilasjon;
8. Sterk vibrasjon forårsaket av for høyt turtall, at motoren sitter løst, løstsittende eller ubalanserte kniver eller viftehjul, eller at utstyr er feil montert på veivakselen;
9. Feil bruk, manglende rutinemessig vedlikehold, transport, håndtering eller lagring av utstyr, eller feil montering av motoren.

Service under garantien er kun tilgjengelig gjennom Briggs & Stratton autoriserte forhandlerverksteder. Finn ditt nærmeste autoriserte forhandlerverksted på vårt kart over forhandlere på BRIGGSandSTRATTON.COM eller ved å ringe 1-800-233-3723 (in USA).

80004537 (Rev.B)

Not for
Reproduction

Este manual contém informações de segurança para o informar dos perigos e riscos associados à máquina e de como evitá-los. Contém igualmente instruções para usar e cuidar adequadamente do motor. Dado que a Briggs & Stratton Corporation não conhece necessariamente que equipamento este motor vai accionar, é importante que leia e compreenda estas instruções e as instruções relativas ao equipamento. **Guarde estas instruções originais para consulta futura.**

Nota: As figuras, ilustrações e imagens neste manual são apenas para referência, e podem diferir do seu modelo específico. Contacte o seu concessionário se tiver alguma dúvida.

Para solicitar peças de substituição ou assistência técnica, registe o modelo do motor, o tipo e os códigos numéricos bem como a data de aquisição. Estes números encontram-se no seu motor (consulte a secção **Características e Controlos**).

Data de aquisição	
Modelo do Motor - Tipo - Guarnição	
Número de Série do Motor	

Procure o código de barras 2D que se encontra em alguns motores. Quando visualizado com um dispositivo 2D adequado, o código revela o nosso website onde pode aceder a informações de apoio para este produto. Aos dados aplicam-se taxas. Em alguns países podem não estar disponíveis informações de apoio on-line.



Informação de Reciclagem

		Os materiais de embalagem, óleos usados e baterias devem ser reciclados em conformidade com as regulamentações oficiais aplicáveis.
--	--	---

Segurança do utilizador

Símbolo de Alerta de Segurança e Palavras-sinal

O símbolo de alerta de segurança é usado para identificar informação de segurança sobre perigos que possam provocar ferimentos pessoais. É utilizada, com o sinal, uma palavra (PERIGO, ATENÇÃO ou CUIDADO) para identificar a probabilidade e a potencial gravidade dos ferimentos. Para além disso, pode ser utilizado um símbolo de perigo para representar o tipo de perigo.

PERIGO indica um perigo que, caso não seja evitado, **irá resultar em morte ou ferimentos graves.**

ATENÇÃO indica um perigo que, caso não seja evitado, **pode resultar em morte ou ferimentos graves.**

CUIDADO indica um perigo que, caso não seja evitado, **pode resultar em ferimentos ligeiros ou moderados.**

AVISO indica uma situação que **pode resultar em danos para o produto.**

Símbolos de Segurança e Respective Significados

Símbolo	Significado	Símbolo	Significado
	Informação de segurança sobre perigos que possam provocar ferimentos pessoais.		Deve ler e compreender o Manual do Utilizador antes de trabalhar ou intervir na unidade.
	Perigo de incêndio		Perigo de explosão.
	Perigo de choque		Perigo de fumos tóxicos
	Perigo de superfície quente		Perigo de ruído - Recomendável colocar protecção auricular em usos prolongados.
	Perigo de projecção de objectos - Colocar protecção ocular.		Perigo de explosão.
	Perigo de queimadura pelo frio		Perigo de contragolpe (coice)
	Perigo de amputação - peças móveis		Perigo químico
	Perigo térmico		Corrosivo

Mensagens de Segurança



ADVERTÊNCIA

Certos componentes deste produto e acessórios afins contêm substâncias químicas que no Estado da Califórnia se sabe que provocam cancro, malformações congénitas, ou outros danos reprodutivos. Lave as mãos depois de manusear.



ADVERTÊNCIA

O escape do motor deste produto contêm substâncias químicas conhecidas, em certas quantidades, por provocar cancro, malformações congénitas, ou outros danos reprodutivos.



ADVERTÊNCIA

Os motores da Briggs & Stratton não foram concebidos nem devem ser usados para acionar: karts de diversão; karts reais; veículos todo-terreno desportivos, para crianças, ou recreativos (ATV); motos; hovercraft; produtos aeronáuticos; ou veículos usados em provas de competição não aprovadas pela Briggs & Stratton. Para obter informações sobre produtos de competição, consulte www.briggsracing.com. Se pretender usar com ATV utilitários e "side-by-side", deve contactar o Briggs & Stratton Engine Application Center, 1-866-927-3349. A aplicação inadequada de motores pode provocar a morte ou ferimentos graves.

AVISO

Este motor foi enviado da Briggs & Stratton sem óleo. Antes de colocar o motor em funcionamento, assegure-se que adiciona óleo de acordo com as instruções neste manual. Se colocar o motor em funcionamento sem óleo, este ficará danificado sem reparação e não será coberto pela garantia.



ADVERTÊNCIA

O combustível e os seus vapores são extremamente inflamáveis e explosivos.

Um incêndio ou explosão podem causar queimaduras graves ou a morte.

Quando Adicionar Combustível

- Desligue o motor e deixe-o arrefecer durante pelo menos 2 minutos antes de remover o tampão do combustível.
- Encha o depósito de combustível ao ar livre ou numa área bem ventilada.
- Não encha demais o depósito de combustível. Para permitir a expansão do combustível, não encha acima do fundo do pescoço do depósito de combustível.
- Mantenha o combustível afastado de faíscas, chamas abertas, chamas piloto, calor e outras fontes de ignição.
- Verifique se existem rachas ou fugas nas linhas do combustível, depósito, tampão e acessórios. Substitua se necessário.
- Se derramar combustível, aguarde até que este evapore antes de colocar o motor em funcionamento.

Quando colocar o motor em funcionamento

- Assegure que a vela de ignição, silenciador, tampão do combustível e purificador do ar (se instalado) estão em posição e fixos.
- Não acione o motor com a vela de ignição removida.
- Se o motor estiver imerso em óleo, defina o estrangulador (se instalado) para a posição OPEN/RUN (ABERTO/FUNCIÓNAMENTO), desloque a válvula reguladora (se instalada) para a posição FAST (RÁPIDO) e acione até que o motor arranque.

Ao operar com o equipamento

- NÃO incline o motor ou o equipamento ao ponto de derramar combustível.
- Não estrangule o carburador para parar o motor.
- Nunca coloque em funcionamento ou opere o motor com o conjunto do purificador do ar (se instalado) ou o filtro do ar (se instalado) removidos.

Ao mudar o óleo

- Se drenar o óleo a partir do tubo de enchimento de óleo superior, o depósito de combustível deve estar vazio ou o combustível pode vaziar e resultar num incêndio ou explosão.

Ao inclinar a unidade para manutenção

- Ao executar uma intervenção de manutenção que exija inclinar a unidade, o depósito de combustível, se estiver montado no motor, deve estar vazio ou o combustível pode vaziar e provocar um incêndio ou uma explosão.

Ao transportar o equipamento

- Transportar com o depósito de combustível VAZIO ou com a válvula de corte de combustível na posição CLOSED (FECHADA).

Quando armazenar combustível ou equipamento com combustível no depósito

- Armazene afastado de fomalhas, fogões, aquecedores de água ou outros aparelhos que tenham chamas piloto ou outras fontes de ignição porque estas podem incendiar os vapores do combustível.



ADVERTÊNCIA

A ligação do motor provoca faísca.

A faísca pode provocar a ignição de gases inflamáveis que se encontrem na proximidade.

Daqui pode resultar uma explosão e um incêndio.

- Se houver fuga de gás natural ou GPL na área, não ligue o motor.
- Não utilize fluidos de arranque pressurizados porque os vapores são inflamáveis.



ADVERTÊNCIA

PERIGO DE GÁS VENENOSO. O escape do motor contém monóxido de carbono, um gás venenoso que pode ser fatal em poucos minutos. NÃO é visível, NÃO tem cheiro, NÃO tem sabor. Mesmo que não sinta o cheiro dos gases de escape, não deixa de estar exposto ao gás monóxido de carbono. Se começar a sentir-se doente, com tonturas ou fraqueza ao usar este produto, dirija-se DE IMEDIATO para um local bem ventilado. Consulte o médico. Pode estar com envenenamento por monóxido de carbono.

- Trabalhe com este produto UNICAMENTE no exterior, longe de janelas, portas e entradas de ventilação para reduzir o risco de acumulação de monóxido de carbono gasoso e do possível arrastamento para espaços frequentados.
- Instale alarmes de monóxido de carbono alimentados a bateria ou de ligação à corrente com bateria de emergência em conformidade com as instruções do fabricante. Os detetores de fumos não detetam o monóxido de carbono gasoso.
- NÃO use este produto no interior de habitações, garagens, caves, espaços com pouca altura, estábulos, ou outros espaços parcialmente fechados ainda que possam existir ventiladores ou portas e janelas abertas para ventilação. O monóxido de carbono pode acumular-se rapidamente nesses espaços e aí permanecer durante horas, mesmo depois de desligar este produto.
- Coloque SEMPRE este produto num local a favor do vento e aponte o escape do motor afastando-o de espaços ocupados.



ADVERTÊNCIA

A retração rápida do cabo de arranque (coice) irá puxar as mãos e os braços na direcção do motor mais rapidamente do que consegue evitar.

Tal pode provocar ossos partidos, fracturas, hematomas ou entorses.

- Ao colocar o motor em funcionamento, puxe o cabo de arranque lentamente até sentir resistência, e depois puxe rapidamente para evitar o coice.
- Retire todo o equipamento exterior/cargas do motor antes de ligar o motor.
- Componentes de equipamento de ligação directa tais como, entre outros, lâminas, rotores, polias, rodas dentadas, etc., têm de estar bem fixados.



ADVERTÊNCIA

Os elementos rotativos podem entrar em contacto ou prender-se nas mãos, nos pés, no cabelo, no vestuário ou em acessórios.

Daqui pode resultar uma amputação traumática ou laceração grave.

- Opere o equipamento com as proteções colocadas.
- Mantenha as mãos e os pés afastados de peças em rotação.
- Ate o cabelo e tire quaisquer joias.
- Não utilize vestuário solto, cordões pendentes ou outros itens que possam ficar presos.



ADVERTÊNCIA

O funcionamento dos motores produz calor. As peças do motor, especialmente o silenciador, ficam extremamente quentes.

Queimaduras térmicas graves podem ocorrer por contacto.

Detritos combustíveis, tais como folhas, relva, mató, etc. podem incendiar-se.

- Deixe que o silenciador, o cilindro do motor e palhetas arrefeçam antes de tocar neles.
- Retire os resíduos que se acumulem na zona do silenciador e na do cilindro.
- É uma violação do Código de Recursos Públicos da Califórnia, Secção 4442, usar ou operar o motor em ou perto de qualquer terreno de cobertura florestal, cobertura de arbustos, ou cobertura de relva, a menos que o sistema de escape esteja equipado com um para-chispas que cumpra com todas as leis locais ou estatais aplicáveis. Outras áreas estatais ou federais podem ter leis semelhantes. Para obter um para-chispas concebido para o sistema de escape instalado neste motor, contacte o fabricante original do equipamento.



ADVERTÊNCIA

Qualquer ignição involuntária pode originar um incêndio ou choque eléctrico.

Qualquer arranque involuntário pode originar emaranhamento, amputação traumática, ou laceração.

Perigo de incêndio

Antes de efectuar ajustes ou reparações:

- Desligue o fio da vela de ignição e mantenha-o afastado da vela de ignição.
- Desligue a bateria e o terminal negativo (só em motores com arranque eléctrico).
- Use apenas as ferramentas adequadas.

- NÃO modifique a mola de controlo, as ligações ou outras peças para aumentar a velocidade do motor.
- As peças de substituição têm de ser iguais às peças originais e devem ser instaladas nas mesmas posições. Outras peças podem não ter o mesmo bom desempenho, podem danificar a unidade e podem provocar ferimentos.
- Não golpee o volante do motor com um martelo ou outro objeto duro porque o volante pode mais tarde quebrar durante o funcionamento.

Quanto testar a faísca:

- Utilize um verificador de velas de ignição aprovado.
- Não teste a existência de faíscas com a vela de ignição removida.

Características e controlos

Controlos do motor

Compare a imagem (Figura: 1, 2, 3) com o seu motor para se familiarizar com a localização das diferentes características e controlos.

- A. Números de identificação do motor **Modelo - Tipo - Código**
- B. Vela de ignição
- C. Depósito de combustível e tampão
- D. Purificador do ar
- E. Manípulo do cabo de arranque
- F. Vareta
- G. Silenciador, protecção do cano de escape (se instalada), pára-chispas (se instalado)
- H. Grelha de admissão de ar
- I. Controlo da válvula reguladora (se instalado)
- J. Estrangulador (se instalado)
- K. Corte de combustível (se instalado)
- L. Interruptor de paragem (se instalado)

Símbolos de Segurança do Motor e Respetivos Significados

Símbolo	Significado	Símbolo	Significado
	Velocidade do motor - FAST (RÁPIDA)		Velocidade do motor - SLOW (LENTA)
	Velocidade do motor - STOP (PARADO)		ON - OFF (LIGAR - DESLIGAR)
	Arranque do motor - Estrangulador CLOSED (FECHADO)		Arranque do motor - Estrangulador OPEN (ABERTO)
	Tampão do combustível Válvula de corte de combustível - OPEN (ABERTA)		Válvula de corte de combustível - CLOSED (FECHADA)
	Nível de combustível - Não encher demais		

Funcionamento

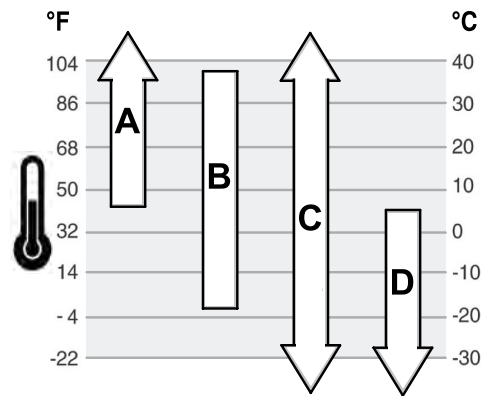
Recomendações relativas ao óleo

Capacidade do Cárter de Óleo Consulte a secção **Especificações**.

Para um melhor desempenho, recomendamos a utilização de óleos com certificação de garantia Briggs & Stratton. São aceitáveis outros óleos de limpeza de alta qualidade caso

possuam uma classificação de serviço SF, SG, SH, SJ ou superior. Não utilize aditivos especiais.

As temperaturas exteriores determinam a viscosidade do óleo adequada para o motor. Use o gráfico para seleccionar a melhor viscosidade para a amplitude térmica esperada ao ar livre.



A	SAE 30 - Abaixo dos 4 °C (40 °F) o uso de SAE 30 irá resultar num arranque difícil.
B	10W-30 - Acima dos 27 °C (80 °F) o uso de 10W-30 pode causar um aumento do consumo de óleo. Verifique o nível do óleo com maior frequência.
C	5W30 sintético
D	5W-30

Verifique o nível do óleo

Ver Figura: 4

Antes de adicionar ou verificar o óleo

- Certifique-se de que a unidade está nivelada.
- Limpe a área de enchimento do óleo de quaisquer entulhos.

1. Remova a vareta (A, Figura 4) e limpe com um pano limpo.
2. Coloque e aperte a vareta (A, Figura 4).
3. Remova a vareta e verifique o nível do óleo. Verifique se o nível do óleo está no topo do indicador (B, Figura 4) na vareta.
4. Se o nível de óleo estiver baixo, adicione óleo lentamente no depósito de óleo do motor (C, Figura 4). **Não encher demais.** Depois de adicionar o óleo, aguarde um minuto e depois volte a verificar o nível do óleo.
5. Recoloque e aperte a vareta (A, Figura 4).

Recomendações de Combustível

O combustível deve cumprir com estes requisitos:

- Gasolina limpa, fresca e sem chumbo.
- Um mínimo de 87 octanas/87 AKI (91 RON). Uso em altitude elevada, ver em baixo.
- Gasolina com até 10% de etanol (gasool) é aceitável.

AVISO Não use gasolinas não aprovadas, tal como a E15 e a E85. Não misture óleo na gasolina nem modifique o motor para funcionar com combustíveis alternativos. O uso de combustíveis não aprovados provocará danos nos componentes do motor e anulará a garantia do motor.

Para proteger o sistema de combustível da formação de goma, misture um estabilizador de combustível no combustível. Ver **Armazenagem**. Os combustíveis não são todos iguais. Se ocorrerem problemas de arranque ou de desempenho, troque de fornecedores de combustível ou troque de marcas. Este motor está certificado para funcionar com gasolina. O sistema de controlo de emissões para este motor é EM (Modificações do Motor).

Altitude Elevada

A altitudes acima dos 1524 metros (5000 pés), é aceitável uma gasolina com um mínimo de 85 octanas/85 AKI (89 RON).

Para motores com carburador, o ajuste de altitude elevada é necessário para manter o desempenho. A operação sem este ajuste irá causar uma diminuição de desempenho, o aumento do consumo de combustível e o aumento das emissões. Consulte um Concessionário Autorizado da Briggs & Stratton para informações sobre o ajuste para

grande altitude. A operação do motor a altitudes abaixo dos 762 metros (2.500 pés) com o kit de altitude elevada não é recomendada.

Para motores com Injeção Electrónica de Combustível (EFI), não é necessário qualquer ajuste de altitude elevada.

Adicionar combustível

Ver Figura: 5



O combustível e os seus vapores são extremamente inflamáveis e explosivos.

Um incêndio ou explosão podem causar queimaduras graves ou a morte.

Quando Adicionar Combustível

- Desligue o motor e deixe-o arrefecer durante pelo menos 2 minutos antes de remover o tampão do combustível.
 - Encha o depósito de combustível ao ar livre ou numa área bem ventilada.
 - Não encha demais o depósito de combustível. Para permitir a expansão do combustível, não encha acima do fundo do pescoço do depósito de combustível.
 - Mantenha o combustível afastado de faíscas, chamas abertas, chamas piloto, calor, e outras fontes de ignição.
 - Verifique se existem rachas ou fugas nas linhas do combustível, depósito, tampão e acessórios. Substitua se necessário.
 - Se derramar combustível, aguarde até que este evapore antes de colocar o motor em funcionamento.
1. Limpe a área do tampão de combustível de sujidade e entulho. Remova o tampão do combustível.
 2. Encha o depósito de combustível (A, Figura 5) com combustível. Para permitir a expansão do combustível, não encha acima do fundo do pescoço do depósito de combustível (C).
 3. Instale de novo o tampão do combustível.

Ligar e desligar o motor

Ver figura: 6, 7, 8, 9

Ligar o motor



A retracção rápida do cabo de arranque (coice) irá puxar as mãos e os braços na direcção do motor mais rapidamente do que consegue evitar.

Tal pode provocar ossos partidos, fracturas, hematomas ou entorses.

- Ao colocar o motor em funcionamento, puxe o cabo de arranque lentamente até sentir resistência, e depois puxe rapidamente para evitar o coice.



O combustível e os seus vapores são extremamente inflamáveis e explosivos.

Um incêndio ou explosão podem causar queimaduras graves ou a morte.

Quando colocar o motor em funcionamento

- Assegure que a vela de ignição, silenciador, tampão do combustível e purificador do ar (se instalado) estão em posição e fixos.
- Não acione o motor com a vela de ignição removida.
- Se o motor estiver imerso em óleo, defina o estrangulador (se instalado) para a posição OPEN/RUN (ABERTO/FUNIONAMENTO), desloque a válvula reguladora (se instalada) para a posição FAST (RÁPIDO) e acione até que o motor arranque.



PERIGO DE GÁS VENENOSO. O escape do motor contém monóxido de carbono, um gás venenoso que pode ser fatal em poucos minutos. NÃO é visível, NÃO tem cheiro, NÃO tem sabor. Mesmo que não sinta o cheiro dos gases de escape, não deixa de estar exposto ao gás monóxido de carbono. Se começar a sentir-se mal, com tonturas ou fraqueza ao usar este produto, desligue-o e dirija-se DE IMEDIATO para um local bem ventilado. Consulte o médico. Pode estar com envenenamento por monóxido de carbono.

- Trabalhe com este produto UNICAMENTE no exterior, longe de janelas, portas e entradas de ventilação para reduzir o risco de acumulação de monóxido de carbono gasoso e do possível arrastamento para espaços frequentados.
- Instale alarmes de monóxido de carbono alimentados a bateria ou de ligação à corrente com bateria de emergência em conformidade com as instruções do fabricante. Os detetores de fumos não detetam o monóxido de carbono gasoso.
- NÃO use este produto no interior de habitações, garagens, caves, espaços com pouca altura, estábulos, ou outros espaços parcialmente fechados ainda que possam existir ventiladores ou portas e janelas abertas para ventilação. O monóxido de carbono pode acumular-se rapidamente nesses espaços e aí permanecer durante horas, mesmo depois de desligar este produto.
- Coloque SEMPRE este produto num local a favor do vento e aponte o escape do motor afastando-o de espaços ocupados.

AVISO Este motor foi enviado da Briggs & Stratton sem óleo. Antes de colocar o motor em funcionamento, assegure-se que adiciona óleo de acordo com as instruções neste manual. Se colocar o motor em funcionamento sem óleo, este ficará danificado sem reparação e não será coberto pela garantia.

Determinar o Sistema de Arranque

Antes de ligar o motor, tem de determinar o tipo de sistema de arranque que está no seu motor. O seu motor dispõe de um dos seguintes tipos.

- **Sistema ReadyStart®:** Este sistema possui um estrangulador automático controlado por temperatura. Não possui estrangulador manual nem bomba auxiliar de arranque.
- **Sistema do Estrangulador:** Apresenta um estrangulador para utilizar quando se arranca com temperaturas frias. Alguns modelos apresentam um controlo do estrangulador separado enquanto outros combinam o controlo estrangulador/válvula reguladora. Este tipo não dispõe de bomba auxiliar de arranque.

Para ligar o seu motor, siga as instruções para o tipo de sistema de arranque que possui.

Nota: O equipamento pode ter controlos à distância. Consulte no manual do equipamento a localização e o funcionamento dos controlos à distância.

Sistema ReadyStart®

1. Verifique o óleo do motor. Consulte a secção **Verificar nível de óleo**.
2. Assegure-se que os controlos de direcção do equipamento, se instalados, estão desengatados.
3. Desloque a válvula de corte de combustível (A, Figura 6), se instalada, para a posição OPEN (ABERTA).
4. Desloque o controlo da válvula reguladora (B, Figura 6), se instalada, para a posição FAST (RÁPIDO). Opere o motor na posição FAST (RÁPIDO).
5. Empurre o interruptor de paragem (D, Figura 7), se instalado, para a posição ON (LIGADO).
6. Se o produto estiver equipado com uma alavanca de paragem do motor (C, Figura 8), segure a alavanca de paragem do motor contra o manipulo.
7. **Arranque manual, se instalado:** Segure firmemente o manipulo do cabo de arranque (G, Figura 6). Puxe o manipulo do cabo de arranque lentamente até sentir resistência, depois puxe rapidamente.



A retracção rápida do cabo de arranque (coice) irá puxar as mãos e os braços na direcção do motor mais rapidamente do que consegue evitar. Tal pode provocar ossos partidos, fracturas, hematomas ou entorses. Ao colocar o motor em funcionamento, puxe o cabo de arranque lentamente até sentir resistência, e depois puxe rapidamente para evitar o coice.

8. **Arranque eléctrico, se instalado:** Rode o arrancador eléctrico para a posição ON/START (LIGADO/ARRANQUE).

AVISO Para aumentar a vida do motor de arranque, use ciclos de arranque curtos (máximo de cinco segundos). Aguarde um minuto entre ciclos de arranque.

Nota: Se o motor não arrancar após várias tentativas, contacte o seu concessionário local ou vá a **BRIGGSandSTRATTON.com** ou ligue para **1-800-233-3723** (nos EUA).

Sistema do Estrangulador

1. Verifique o óleo do motor. Consulte a secção **Verificar nível de óleo**.
2. Assegure-se que os controlos de direcção do equipamento, se instalados, estão desengatados.
3. Desloque a válvula de corte de combustível (A, Figura 6), se instalada, para a posição OPEN (ABERTA).

- Desloque o controlo da válvula reguladora (B, Figura 6), se instalado, para a posição de FAST (RÁPIDO). Opere o motor na posição FAST (RÁPIDO).
- Desloque o controlo do estrangulador (F, Figura 9), para a posição CLOSED (FECHADA).

Nota: O estrangulamento é normalmente desnecessário quando reiniciar um motor quente.

- Empurre o interruptor de paragem (D, Figura 9), se instalado, para a posição ON (LIGADO).
- Se o produto estiver equipado com uma alavanca de paragem do motor (C, Figura 8), segure a alavanca de paragem do motor contra o manípulo.
- Arranque manual, se instalado:** Segure firmemente o manípulo do cabo de arranque (G, Figura 6). Puxe o manípulo do cabo de arranque lentamente até sentir resistência, depois puxe rapidamente.



ADVERTÊNCIA

A retracção rápida do cabo de arranque (coice) irá puxar as mãos e os braços na direcção do motor mais rapidamente do que consegue evitar. Tal pode provocar ossos partidos, fracturas, hematomas ou entorses. Ao colocar o motor em funcionamento, puxe o cabo de arranque lentamente até sentir resistência, e depois puxe rapidamente para evitar o coice.

- Arranque eléctrico, se instalado:** Rode o arrancador eléctrico para a posição ON/START (LIGADO/ARRANQUE).

AVISO Para aumentar a vida do motor de arranque, use ciclos de arranque curtos (máximo de cinco segundos). Aguarde um minuto entre ciclos de arranque.

- À medida que o motor aquece, desloque o controlo do estrangulador (F, Figura 9) para a posição OPEN/RUN (ABERTO/FUNCIÓNAMENTO).

Nota: Se o motor não arrancar após várias tentativas, contacte o seu concessionário local ou vá a BRIGGSandSTRATTON.com ou ligue para **1-800-233-3723** (nos EUA).

Desligar o motor



ADVERTÊNCIA



O combustível e os seus vapores são extremamente inflamáveis e explosivos.

Um incêndio ou explosão podem causar queimaduras graves ou a morte.

- Não estrangule, se equipado, o carburador para parar o motor.
- Alavanca de paragem do motor, se instalada:** Solte a alavanca de paragem do motor (E, Figura 8).
Interruptor de paragem, se instalado: Desloque o interruptor de paragem (D, Figura 7, 9) para a posição OFF (DESLIGADO).
Controlo da válvula reguladora, se instalado: Desloque o controlo da válvula reguladora (B, Figura 6) para a posição STOP.
Chave de arranque eléctrico, se instalada: Rode a chave de arranque eléctrico para a posição OFF/STOP. Remova a chave e guarde-a num local seguro fora do alcance de crianças.
 - Depois do motor parar, rode a válvula de corte de combustível (A, Figura 6), se instalada, para a posição CLOSED (FECHADA).

Manutenção

AVISO Se o motor estiver inclinado durante a manutenção, o depósito de combustível, se estiver montado no motor, deve estar vazio e o lado da vela de ignição deve estar para cima. Se o depósito de combustível não estiver vazio e se o motor for inclinado em qualquer outra direcção, pode ser difícil de arrancar devido a óleo ou gasolina a contaminar o filtro do ar e/ou a vela de ignição.



ADVERTÊNCIA

Ao executar uma intervenção de manutenção que exija inclinar a unidade, o depósito de combustível, se estiver montado no motor, deve estar vazio ou o combustível pode vazar e provocar um incêndio ou uma explosão.

Recomendamos que visite um Concessionário Autorizado Briggs & Stratton para qualquer intervenção de manutenção e assistência do motor e peças do motor.

AVISO Todos os componentes usados na construção deste motor devem permanecer montados para um funcionamento adequado.



ADVERTÊNCIA



Qualquer ignição involuntária pode originar um incêndio ou choque eléctrico.

Qualquer arranque involuntário pode originar emaranhamento, amputação traumática, ou laceração.

Perigo de incêndio

Antes de executar qualquer ajuste ou reparação:

- Desligue o fio da vela de ignição e mantenha-o afastado da vela de ignição.
- Remova o conjunto da bateria da plataforma da bateria do motor. Em alguns casos o conjunto da bateria pode representar a chave do equipamento.
- Use apenas as ferramentas adequadas.
- NÃO modifique a mola de controlo, as ligações ou outras peças para aumentar a velocidade do motor.
- As peças de substituição têm de ser iguais às peças originais e devem ser instaladas nas mesmas posições. Outras peças podem não ter o mesmo bom desempenho, podem danificar a unidade e podem provocar ferimentos.
- Não golpeie o volante do motor com um martelo ou outro objecto duro porque o volante pode mais tarde quebrar durante o funcionamento.

Ao testar a ignição:

- Utilize um verificador de velas de ignição aprovado.
- Não teste a existência de faíscas com a vela de ignição removida.

Manutenção do Controlo de Emissões

A manutenção, substituição, ou reparação dos dispositivos e sistema de controlo de emissões podem ser levadas a cabo por qualquer entidade individual ou colectiva de reparação de motores todo-terreno. Todavia, para obter a manutenção de controlo de emissões "isenta de custos", o trabalho tem de ser executado por um concessionário autorizado de fábrica. Ver as Declarações de Controlo de Emissões.

Plano de Manutenção

Antes de cada utilização
<ul style="list-style-type: none"> Verifique o nível do óleo do motor Limpe a área à volta do silenciador e dos controlos Limpe a grelha de admissão de ar.
A cada 25 horas ou Anualmente
<ul style="list-style-type: none"> Limpe o filtro de ar ¹ Limpe o pré-purificador, se instalado
A cada 50 horas ou Anualmente
<ul style="list-style-type: none"> Manutenção do sistema de escape
Anualmente
<ul style="list-style-type: none"> Substitua a vela de ignição Substitua o filtro do ar Substitua o pré-purificador, se instalado Manutenção do sistema de arrefecimento ¹

¹ Se houver muito pó ou resíduos transportados por via aérea, a limpeza deve ser mais frequente.

Carburador e Velocidade do Motor

Nunca faça ajustes ao carburador ou à velocidade do motor. O carburador foi configurado na fábrica para funcionar eficientemente na maioria das condições. NÃO modifique a mola de controlo, as ligações ou outras peças para aumentar a velocidade do motor. Se necessitar de algum ajuste, deve contactar um Concessionário de Assistência Autorizado Briggs & Stratton para a intervenção.

AVISO O fabricante do equipamento especifica a velocidade máxima do motor uma vez montado no equipamento. **Não exceda** esta velocidade. Se tiver dúvidas quanto à velocidade máxima do equipamento, ou sobre a regulação de fábrica da velocidade do motor, deve contactar um Concessionário de Assistência Autorizado Briggs & Stratton para esclarecimento. Para que o equipamento funcione bem e em segurança, a velocidade do motor só deve ser ajustada por um técnico de assistência habilitado.

Manutenção da vela de ignição

Ver Figura: 10

Verifique a folga (A, Figura 10) com um calibrador (B). Se necessário, redefina a folga. Coloque e aperte a vela de ignição com o binário recomendado. Para obter a configuração da folga ou o binário, consulte a secção **Especificações**.

Nota: Em algumas regiões, a legislação local exige que se use uma vela de ignição com resistência para suprimir sinais da ignição. Se este motor estiver originalmente equipado com uma vela de ignição com resistência, faça a substituição por outra do mesmo tipo.

Manutenção do sistema de escape



ADVERTÊNCIA

O funcionamento dos motores produz calor. As peças do motor, especialmente o silenciador, ficam extremamente quentes.

Queimaduras térmicas graves podem ocorrer por contacto.

Entulhos combustíveis, tal como folhas, relva, mato, etc. podem incendiar-se.

- Deixe que o silenciador, o cilindro do motor e palhetas arrefeçam antes de tocar neles.
- Retire os resíduos que se acumulem na zona do silenciador e na do cilindro.
- É uma violação do Código de Recursos Públicos da Califórnia, Secção 4442, usar ou operar o motor em ou perto de qualquer terreno de cobertura florestal, cobertura de arbustos, ou cobertura de relva, a menos que o sistema de escape esteja equipado com um pára-chispas que cumpra com todas as leis locais ou estatais aplicáveis. Outras áreas estatais ou federais podem ter leis semelhantes. Para obter um pára-chispas concebido para o sistema de escape instalado neste motor, contacte o fabricante original do equipamento.

Retire os resíduos que se acumulem na zona do silenciador e na do cilindro. Examine o silenciador em busca de fendas, corrosão ou outros danos. Remova o pára-chispas, se instalado, e verifique se apresenta danos ou obstruções de carbono. Se detectar danos, monte peças de substituição antes de operar o equipamento.



ADVERTÊNCIA

As peças de substituição têm de ser iguais às peças originais e devem ser instaladas nas mesmas posições. Outras peças podem não ter o mesmo bom desempenho, podem danificar a unidade e podem provocar ferimentos.

Mudar o óleo do motor

Ver figura: 11, 12, 13



ADVERTÊNCIA

O combustível e os seus vapores são extremamente inflamáveis e explosivos.

Um incêndio ou explosão podem causar queimaduras graves ou a morte.

O funcionamento dos motores produz calor. As peças do motor, especialmente o silenciador, ficam extremamente quentes.

Queimaduras térmicas graves podem ocorrer por contacto.

- Se drenar o óleo a partir do tubo de enchimento de óleo superior, o depósito de combustível deve estar vazio ou o combustível pode vazar e resultar num incêndio ou explosão.
- Deixe que o silenciador, o cilindro do motor e palhetas arrefeçam antes de tocar neles.

Verifique o nível de óleo e, se necessário, abasteça. Consulte a secção Como verificar/adicionar óleo. Não é necessária uma mudança de óleo mas caso pretenda mudar o óleo, siga o procedimento abaixo.

O óleo usado é um resíduo perigoso e deve ser eliminado de forma adequada. Não deitar fora com o lixo normal. Verifique com as suas autoridades locais, centro de assistência ou concessionário a existência de instalações de eliminação/reciclagem seguras.

Remover óleo

O óleo tem de ser drenado pelo tubo de enchimento de óleo superior.

1. Com o motor desligado mas ainda quente, desligue o fio da vela de ignição (D, Figura 11) e mantenha-o afastado da vela de ignição (E).
2. Remova a vareta (A, Figura 12).
3. Se drenar o óleo a partir do tubo de enchimento de óleo superior (C, Figura 13), mantenha a extremidade do motor com a vela da ignição (E) para cima. Drene o óleo para um recipiente aprovado.



ADVERTÊNCIA

Se drenar o óleo a partir do tubo de enchimento de óleo superior, o depósito de combustível deve estar vazio ou o combustível pode vazar e resultar num incêndio ou explosão. Para esvaziar o depósito de combustível, faça funcionar o motor até que pare por falta de combustível.

Adicionar óleo

- Certifique-se de que a unidade está nivelada.
- Limpe a área de enchimento do óleo de quaisquer resíduos.
- Consulte na secção **Especificações** a capacidade de óleo.

1. Remova a vareta (A, Figura 12) e limpe com um pano limpo.
2. Adicione óleo lentamente pelo tubo de enchimento de óleo (C, Figura 12). **Não encher demais.** Depois de adicionar o óleo, aguarde um minuto e depois verifique o nível do óleo.
3. Coloque e aperte a vareta (A, Figura 12).
4. Remova a vareta e verifique o nível do óleo. O nível do óleo correcto é no topo do indicador de cheio (B, Figura 12) da vareta.
5. Recoloque e aperte a vareta (A, Figura 12).
6. Ligue o fio da vela de ignição (D, Figura 11) à vela de ignição (E).

Manutenção do Filtro do ar

Ver Figura: 14



ADVERTÊNCIA

O combustível e os seus vapores são extremamente inflamáveis e explosivos.

Um incêndio ou explosão podem causar queimaduras graves ou a morte.

- Nunca coloque em funcionamento ou opere o motor com o conjunto do purificador do ar (se instalado) ou o filtro do ar (se instalado) removidos.

AVISO Não use ar pressurizado ou solventes para limpar o filtro. O ar pressurizado pode danificar o filtro e os solventes podem dissolver o filtro.

Consulte no **Plano de Manutenção** os requisitos de assistência.

Filtro do ar de papel

1. Levante a tampa (B, Figura 14).
2. Remova o filtro (C, Figura 14).
3. Remova o pré-purificador (E, Figura 14), se instalado, do filtro. Para libertar o entulho, bata levemente com o filtro numa superfície dura. Se o filtro estiver excessivamente sujo, substitua por um novo filtro.
4. Lave o pré-purificador com detergente líquido e água. De seguida, deixe-o secar muito bem ao ar. **Não** oleie o pré-purificador.
5. Instale o pré-purificador seco, se instalado, no filtro.
6. Coloque o filtro (C, Figura 14).
7. Feche a tampa (B, Figura 14).

Manutenção do sistema de arrefecimento



ADVERTÊNCIA

O funcionamento dos motores produz calor. As peças do motor, especialmente o silenciador, ficam extremamente quentes.

Queimaduras térmicas graves podem ocorrer por contacto.

Entulhos combustíveis, tal como folhas, relva, mato, etc. podem incendiar-se.

- Deixe que o silenciador, o cilindro do motor e palhetas arrefeçam antes de tocar neles.
- Retire os resíduos que se acumulem na zona do silenciador e na do cilindro.

AVISO Não use água para limpar o motor. A água pode contaminar o sistema de combustível. Limpe o motor com uma escova ou um pano seco.

Este motor é arrefecido a ar. O fluxo de ar pode sofrer restrições devido a sujidade ou resíduos, provocando o sobreaquecimento do motor, um fraco desempenho do mesmo e menor durabilidade.

1. Use uma escova para remover os resíduos da grelha de admissão de ar.
2. Mantenha a limpeza de ligações, molas e controlos.
3. Mantenha a área à volta e por detrás do silenciador, caso exista, livre de resíduos combustíveis.
4. Verifique se as aletas do arrefecedor de óleo, caso exista, estão livre de sujidade e resíduos.

Ao fim de algum tempo, os resíduos podem acumular-se nas aletas de arrefecimento do cilindro e provocar o sobreaquecimento do motor. Estes resíduos não se podem remover sem a desmontagem parcial do motor. Solicite a um Concessionário de Assistência Autorizado Briggs & Stratton que inspecione e limpe o sistema de arrefecimento de ar conforme recomendação no **Plano de Manutenção**.

Armazenamento



ADVERTÊNCIA

O combustível e os seus vapores são extremamente inflamáveis e explosivos.

Um incêndio ou explosão podem causar queimaduras graves ou a morte.

Quando armazenar combustível ou equipamento com combustível no depósito

- Armazene afastado de fornalhas, fogões, aquecedores de água ou outros aparelhos que tenham chamas piloto ou outras fontes de ignição porque estas podem incendiar os vapores do combustível.

AVISO Armazene o motor nivelado (posição de funcionamento normal). Para obter mais informações sobre o armazenamento, consulte o manual do equipamento.

Sistema do Combustível

O combustível pode ficar velho quando armazenado durante mais de 30 dias. O combustível velho faz com que se formem depósitos de ácido e goma no sistema do combustível ou em peças essenciais do carburador. Para manter o combustível fresco, use **Fórmula Avançada de Tratamento do Combustível e Estabilizador da Briggs & Stratton**, disponível onde forem vendidas peças de assistência genuínas da Briggs & Stratton.

Não existe necessidade de escoar a gasolina do motor se for adicionado um estabilizador do combustível de acordo com as instruções. Faça funcionar o motor durante 2 minutos para circular o estabilizador através do sistema do combustível antes do armazenamento.

Se a gasolina no motor não foi tratada com um estabilizador do combustível, deve ser drenada para um recipiente aprovado. Faça funcionar o motor até que pare por falta de combustível. Recomenda-se o uso de um estabilizador do combustível no recipiente de armazenamento para manter a frescura.

Óleo do Motor

Não é necessária uma mudança de óleo mas caso pretenda mudar o óleo, faça-o enquanto o motor está quente. Consulte a secção **Mudar o óleo do motor**.

Resolução de Problemas

Para obter assistência, contacte o seu concessionário local ou vá a **BRIGGSandSTRATTON.com** ou ligue para **1-800-233-3723** (nos USA).

Especificações

Modelo: 100000	
Cilindrada	9.93 ci (163 cc)
Cilindro	2.688 in (68,28 mm)
Curso	1.75 in (44,45 mm)
Capacidade de óleo	15 oz (,44 L)
Folga da vela de ignição	.030 in (,76 mm)
Binário da vela de ignição	180 lb-in (20 Nm)

Modelo: 100000	
Folga da armação	.006 - .014 in (,15 - ,36 mm)
Folga da válvula de admissão	.004 - .008 in (,10 - ,20 mm)
Folga da válvula de escape	.004 - .008 in (,10 - ,20 mm)

Modelo: 093J00	
Cilindrada	9.15 ci (150 cc)
Cilindro	2.583 in (65,60 mm)
Curso	1.75 in (44,45 mm)
Capacidade de óleo	15 oz (,44 L)
Folga da vela de ignição	.020 in (,51 mm)
Binário da vela de ignição	180 lb-in (20 Nm)
Folga da armação	.006 - .014 in (,15 - ,36 mm)
Folga da válvula de admissão	.004 - .008 in (,10 - ,20 mm)
Folga da válvula de escape	.004 - .008 in (,10 - ,20 mm)

A potência do motor diminui 3,5% por cada 300 metros (1000 pés) acima do nível do mar e 1% por cada 5,6 °C (10 °F) acima dos 25 °C (77 °F). O motor irá funcionar de forma satisfatória a um ângulo de até 15°. Consulte no manual do utilizador do equipamento os limites autorizados para uma operação segura em declives.

Peças de assistência - Modelo: 100000, 093J00	
Peça de assistência	Número da peça
Filtro de ar (consulte a Figura 14)	593260
Filtro de ar, pré-purificador (consulte a Figura 14)	594055
Óleo - SAE 30	100113
Fórmula avançada de tratamento do combustível e estabilizador	100117, 100120
Vela de ignição com resistência (Modelo 100000)	594056
Vela de ignição com resistência (Modelo 093J00)	692051
Chave de velas de ignição	19576
Verificador de velas	19368

Recomendamos que visite um Concessionário Autorizado Briggs & Stratton para qualquer intervenção de manutenção e assistência do motor e peças do motor.

Potência nominal: A potência total nominal para os modelos de motores a gasolina individuais está rotulada em conformidade com a SAE (Sociedade de Engenheiros Automobilísticos), Procedimento de Potência de Motor Pequeno e Binário Nominal, código J1940, e está classificada de acordo com a SAE J1995. Os valores de binário são obtidos a 2600 RPM para os motores com a indicação "rpm" na etiqueta e 3060 RPM para todos os outros; os valores de potência são obtidos a 3600 RPM. As curvas de potência total podem ser visualizadas em www.BRIGGSandSTRATTON.COM. Os valores de potência útil são retirados com o purificador de escape e de ar instalados, enquanto os valores de potência total são recolhidos sem estes acessórios. A potência total do motor será superior à potência útil do motor e é influenciada por, entre outras coisas, condições ambientais de funcionamento e a variabilidade de motor para motor. Devido à vasta gama de produtos em que os motores são colocados, o motor a gasolina pode não desenvolver a potência total classificada quando utilizado num determinado equipamento eléctrico. Esta diferença deve-se a uma variedade de factores incluindo, mas não se limitando à, variedade dos componentes do motor (purificador do ar, escape, carregador, arrefecimento, carburador, bomba do combustível, etc.), limitações de aplicação, condições ambientais de funcionamento (temperatura, humidade, altitude) e a variabilidade de motor para motor. Devido às limitações de fabrico e de capacidade, a Briggs & Stratton pode substituir o motor desta série por um motor de classificação de potência superior.

Garantia

Garantia do Motor Briggs & Stratton

Em vigor a partir de Janeiro de 2016

Garantia limitada

A Briggs & Stratton assegura que, durante o período de garantia abaixo especificado, irá reparar ou substituir, sem qualquer encargo, qualquer peça com defeitos de material, de mão-de-obra ou ambos. Os encargos relativos ao transporte dos produtos sujeitos a reparação ou substituição ao abrigo desta garantia devem ser suportados pelo comprador. Esta garantia é válida pelos, e está sujeita aos, períodos de tempo e às condições abaixo apresentadas. Para obter assistência ao abrigo da garantia, procure o Concessionário de Assistência Autorizado mais próximo, usando o nosso mapa localizador em BRIGGSandSTRATTON.COM. O comprador deve contactar o revendedor autorizado e,

em seguida, disponibilizar o produto ao revendedor autorizado para realização da inspeção e testes.

Não existe qualquer outra garantia expressa. Garantias implícitas, incluindo as referentes à comercialização e manutenção com um objective em particular, estão limitadas a um ano a contar do momento da aquisição, ou ao que é permitido por lei. Exclui-se a responsabilidade por danos incidentais ou consequenciais de acordo com o permitido por lei. Alguns estados ou países não permitem limitações quanto à duração de uma garantia implícita e alguns estados e países não permitem a exclusão ou limitação de danos incidentais ou consequenciais, por isso a limitação e exclusão acima podem não se aplicar ao seu caso. Esta garantia concede-lhe direitos legais específicos. Pode também ter outros direitos que variam de Estado para Estado ou de país para país ⁴.

Condições Normais da Garantia ^{1, 2}

Nome da Marca/Produto	Utilização pelo consumidor	Utilização comercial
Vanguard™ ³	36 meses	36 meses
Commercial Turf Series™; Série Comercial	24 meses	24 meses
Motores com camisa de ferro fundido Dura-Bore™	24 meses	12 meses
Todos os restantes motores Briggs & Stratton	24 meses	3 meses

¹ Estas são as nossas condições normais de garantia, mas ocasionalmente pode aplicar-se uma cobertura adicional da garantia não definida à data da publicação. Para obter uma relação das actuais condições da garantia para o seu motor, consulte BRIGGSandSTRATTON.com ou contacte o seu Concessionário de Assistência Autorizado Briggs & Stratton.

² Não há qualquer garantia para motores em equipamento utilizado para potência primária em vez de uma utilidade ou para geradores de apoio utilizados para fins comerciais. Os motores utilizados em competições ou em veículos comerciais ou de aluguer não estão abrangidos pela garantia.

³ Vanguard instalado em geradores de apoio: 24 meses para utilização pelo consumidor, sem garantia para utilização comercial. Vanguard instalado em veículos utilitários: 24 meses para utilização pelo consumidor, 24 meses para utilização comercial. Vanguard de 3 cilindros e arrefecimento líquido: consultar Política de Garantia de Motores 3/LC Briggs & Stratton.

⁴ Na Austrália - Os nossos produtos possuem garantias que não podem ser excluídas ao abrigo da lei australiana relativa aos direitos do consumidor. O consumidor terá direito a substituição ou reembolso, em caso de avaria grave, e a compensação por qualquer outra perda ou dano razoavelmente previsíveis. O consumidor terá ainda direito à reparação ou substituição dos produtos se a qualidade dos mesmos não for aceitável e se a avaria em questão não der origem a uma avaria grave. Para aceder ao serviço de garantia, contacte o revendedor autorizado mais próximo indicado no nosso mapa de localização de revendedores em BRIGGSandSTRATTON.COM, efectue um telefonema para o número 1300 274 447, envie um e-mail para salesenquires@briggsandstratton.com.au ou escreva para Briggs & Stratton Australia Pty Ltd, 1 Moorebank Avenue, NSW, Austrália, 2170.

O período da garantia começa a partir da data da aquisição original efectuada pelo primeiro revendedor ou consumidor final. "Utilização pelo consumidor" significa utilização doméstica privada por um consumidor final. "Utilização comercial" significa todas as outras utilizações, incluindo a utilização para fins comerciais, de criação de receitas ou aluguer. No âmbito desta garantia, após a utilização de um produto para fins comerciais, este será considerado um produto para utilização comercial.

Guarde o comprovativo de compra. Caso não seja possível comprovar a data de aquisição inicial quando solicitar o serviço de garantia, a data de fabrico do produto será utilizada para determinar o período de garantia. Não é necessário o registo do produto para obter o serviço de garantia dos produtos da Briggs & Stratton.

Sobre a sua garantia

Esta garantia limitada abrange exclusivamente materiais relativos ao motor e/ou mão-de-obra, e não a substituição ou o reembolso do equipamento no qual o motor está montado. As intervenções de manutenção de rotina, as afinações, os ajustes, ou normal desgaste e ruptura não estão abrangidos por esta garantia. De igual modo, a garantia não se aplica se o motor tiver sido alterado ou modificado ou se o número de série do motor tiver sido adulterado ou removido. Esta garantia não abrange danos do motor ou problemas de desempenho causados por:

1. utilização de peças que não originais da Briggs & Stratton;
2. funcionamento do motor com óleo lubrificante insuficiente, contaminado ou de qualidade inadequada;
3. uso de combustível contaminado ou fora do prazo, gasolina formulada com mais de 10% de etanol, ou recurso a combustíveis alternativos como gás de petróleo liquefeito ou gás natural em motores não concebidos/fabricados de origem pela Briggs & Stratton para trabalhar com estes combustíveis;
4. sujidade que tenha penetrado no motor devido a deficiências na manutenção ou montagem do purificador de ar;

5. golpe num objecto provocado pela lâmina de corte de um cortador de relva rotativo, adaptadores de lâminas soltos ou mal montados, rotores, ou outros dispositivos acoplados à cambota, ou aperto excessivo da correia em V;
6. peças ou montagens associadas como embraiagens, transmissões, controlos do equipamento, etc., não fornecidos pela Briggs & Stratton;
7. sobreaquecimento devido a pedaços de erva, sujidade e resíduos, ou ninhos de roedores que entopem ou colmatam as aletas de arrefecimento ou a área do volante do motor, ou por operação do motor sem ventilação suficiente;
8. demasiada vibração devida a velocidade excessiva, montagem do motor mal apertada, lâminas de corte ou rotores soltos ou desequilibrados, ou acoplagem deficiente de componentes do equipamento à cambota;
9. má utilização, falta de manutenção de rotina, transporte, manuseamento, ou armazenagem do equipamento, ou montagem inadequada do motor.

O serviço de garantia apenas se encontra disponível através dos revendedores autorizados Briggs & Stratton. Localize o seu Concessionário de Assistência Autorizado mais próximo no nosso mapa de concessionários em BRIGGSandSTRATTON.COM ou ligando para 1-800-233-3723 (nos EUA).

80004537 (Rev.B)

Denna handbok innehåller säkerhetsinformation som gör dig uppmärksam på de faror och risker som är förknippade med motorer och hur man undviker dem. Den kan även innehålla instruktioner för en korrekt användning och skötsel av motorn. Då Briggs & Stratton inte nödvändigtvis känner till vilken maskin denna motor driver, är det viktigt att du läser och förstår dessa anvisningar och anvisningarna för den maskin som motorn driver. **Spara instruktionerna för framtida referens.**

Anm.: Siffrorna och illustrationerna i handboken är enbart för referens, och kan skilja sig från just din modell. Kontakta din återförsäljare om du har frågor.

För reservdelar eller teknisk hjälp i framtiden, skriver du motorns modell-, typ- och kodnummer samt inköpsdatum här. De här numren finns på din motor (se avsnittet **Funktioner och regler**).

Inköpsdatum:	
Motormodell - Typ - Trim	
Motorns serienummer	

Lokalisera 2D-streckkoden på vissa motorer. Vid visning med en anordning med 2D-kapacitet kommer koden att öppna vår webbplats där du kan komma åt supportinformation för den här produkten. Datakostnader kan tillkomma. Vissa länder kanske inte har någon tillgänglig supportinformation online.



Information om återvinning

		Alla förpackningar, gammal olja och batterier ska återvinnas enligt gällande statliga bestämmelser.
--	--	---

Förarens säkerhet

Säkerhetssymboler och signalord

Varningssymbolen används för att peka på säkerhetsinformation om risker som kan leda till personskador. Ett signalord (FARA, VARNING eller FÖRSIKTIGHET) används tillsammans med varningssymbolen för att tilldela risken en sannolikhet och hur allvarliga skador som kan orsakas. Dessutom kan varningssymbolen användas för att visa på typen av fara.

FARA visar på en risk, som om den inte undviks, **leder till döden eller allvarlig skada.**

VARNING visar på en risk, som om den inte undviks, **kan leda till allvarlig skada eller döden.**

FÖRSIKTIGHET visar på en risk, som om den inte undviks, **kan orsaka lätt eller måttlig skada.**

OBS! indikerar en åtgärd som **kan orsaka skada på produkten.**

Farosymboler och deras innebörd

Symbol	Innebörd	Symbol	Innebörd
	Säkerhetsinformation om faror som kan leda till personskador.		Läs igenom och lär dig handboken innan du använder eller servar enheten.
	Brandrisk		Explosionsrisk

Symbol	Innebörd	Symbol	Innebörd
	Risk för elektriska stötar.		Risk för giftiga gaser.
	Risk för het yta		Bullerrisk - Hörselskydd rekommenderas vid längre användning.
	Risk för utslungade föremål - Ögonskydd.		Explosionsrisk
	Risk för köldskada		Risk för bakslag
	Risk för amputering - rörliga delar		Kemisk fara
	Termisk risk		Korrosiv

Säkerhetsmeddelanden



VARNING

Vissa komponenter från denna produkt och dess tillhörande tillbehör innehåller kemikalier som i delstaten Kalifornien konstaterats kunna förorsaka cancer, genetiska skador eller hämma fortplantningen. Tvätta händerna efter användning.



VARNING

Avgaserna från denna produkt innehåller kemikalier som i staten Kalifornien konstaterats orsaka cancer, födelsedefekter eller andra reproduktionsstörningar.



VARNING

Briggs & Stratton-motorer är inte konstruerade för och ska inte användas för att driva: gocart-bilar, barn-fritids och fyrhjulingar (ATV), motorcyklar, svävare, flygande apparater och fordon som används för tävlingsbruk som inte sanktionerats av Briggs & Stratton. Information om produkter avsedda för tävlingsbruk finns på www.briggsracing.com. Vänd dig till Briggs & Strattons centrum för motoranvändningsråden på telefon (USA) 1-866-927-3349. Felaktiv användning kan leda till allvarliga och dödliga skador.

MÄRK

Motorn levereras från Briggs & Stratton utan olja. Fyll på olja enligt anvisningarna i handboken innan du startar motorn. Om du startar motorn utan olja skadas den så att den inte kan repareras och täcks inte av garantin.



VARNING



Bränslet och dess ångor är extremt lättantändliga och explosiva.

Brand och explosion kan orsaka svåra brännskador eller dödsfall.

Påfyllning av bränsle

- Stäng av motorn och låt den svalna under minst 2 minuter innan tanklocket tas av.
- Fyll bränsletanken utomhus eller i ett välventilerat utrymme.
- Överfyll inte tanken. För att bensinen ska kunna expandera, ska bränslet inte nå ovanför nederkanten på tankens hals.
- Håll bränsle på avstånd från gnistor, öppna lågor, indikationslampor, värme och andra antändningskällor.
- Kontrollera att det inte finns sprickor eller läckor på bränsleledningar, tank, lock och kopplingar. Byt vid behov.

- Låt utspillt bränsle förångas innan du startar motorn.

När maskinen startas

- Se till att tändstift, spjäll, tanklock och luftrenare (i förekommande fall) sitter ordentligt på plats.
- Dra INTE runt motorn med tändstiftet urtaget.
- Om motorn flödar, ska choken sättas (i förekommande fall) i läget ÖPPEN/KÖR, gasen (i förekommande fall) flyttas till läget SNABB och dra i snöret tills motorn startar.

Vid körning av maskinen

- Tippa INTE motorn eller maskinen i sådan vinkel att bränslet spills ut.
- Choka inte för gasaren för att stoppa motorn.
- Starta eller kör aldrig motorn utan luftrenare (i förekommande fall) eller luftfilter (i förekommande fall).

Vid oljebyte

- Om du tappar ur olja från det övre oljepåfyllningsröret, måste bränsletanken vara tom, annars kan bränsle rinna ut och orsaka brand eller explosion.

När maskinen tippas för underhåll

- Vid underhåll som kräver tippning av maskinen måste bränsletanken måste vara tom, annars kan bränsle läcka ut och orsaka brand eller explosion.

När utrustningen transporteras

- Transportera med TOM bränsletank eller med bränslets avstängningsventil i STÅNGT läge.

Vid förvaring av bränsle eller maskin med bränsle i tanken

- Förvara inte i närheten av ugnar, spisar, vattenvärmare eller annan utrustning med kontrollampor eller andra antändningskällor, eftersom de kan antända bränsleångor.



Motorstart skapar gnistor.

Gnistbildning kan antända lättantändliga gaser i närheten.

Det kan leda till explosion och brand.

- Om det finns läckande natur- eller LP-gas i området, ska motorn inte startas.
- Använd inte trycksatta startvätskor eftersom ångorna är lättantändliga.



VARNING FÖR GIFTIG GAS. Avgaser från motorn innehåller koloxid, som är en giftig gas som kan döda på bara några minuter. Koloxid är osynlig, smak- och luktlös. Även om du inte känner lukten av avgaser, kan du ändå utsättas för koloxidgas. Om du börjar känna dig illamående, yr eller matt när du använder produkten, ska du stänga av den och GENAST gå ut i frisk luft. Uppsök läkare. Du kan vara koloxidförgiftad.

- Använd ENDAST denna produkt utomhus, på avstånd från fönster, dörrar och ventiler för att minska risken för att koloxid ska ansamlas och eventuellt dras in i bemannade utrymmen.
- Montera batteridrivet koloxidlarm eller plugin-koloxidlarm med reservbatteri enligt tillverkarens anvisningar. Brandlarm kan inte detektera koloxidgas.
- Kör INTE produkten inomhus, i garage, källare, kryputrymmen, skjul eller andra delvis slutna utrymmen, även om fläktar används eller dörrar och fönster öppnas för ventilation. Koloxid kan snabbt ansamlas i den här typen av utrymmen och kan dröja kvar i timmar, även efter att produkten stängts av.
- Placera ALLTID denna produkt i lä och rikta avgasutsläppet bort från bemannade utrymmen.



Snabb indragning av startsnöret (bakslag) drar hand och arm mot motorn innan man hinner släppa.

Kan leda till brutna ben, frakturer, blåmärken, o.d.

- När du startar motorn drar du långsamt i startlinan tills det tar emot och drar sedan snabbt för att inte bli skadad av att linan snabbt dras in.
- Avlägsna alla utvändiga utrustnings-/motorbelastningar innan motorn startas.

- Direktkopplade maskindelar som t.ex. blad, rotor, remskivor, kuggkransar, etc., måste vara ordentligt fästa.



Roterande delar kan komma i kontakt med eller trassla in händer, fötter, hår, kläder eller tillbehör.

Svåra skärskador eller t.o.m. amputation kan inträffa.

- Kör maskinen med skydden på plats.
- Håll händer och fötter på avstånd från snurrande delar.
- Fäst upp långt hår och ta av smycken.
- Bär inte löst sittande kläder, dragband eller andra föremål som kan trassla in sig.



Motorer som körs producerar värme. Motordelar, speciellt ljuddämparen, blir extremt varma.

Svåra brännskador kan inträffa vid beröring.

Brännbart skräp, som t.ex. löv, gräs, buskar, etc. kan börja brinna.

- Låt ljuddämpare, motorcylinder och kylflänsar svalna innan du rör dem.
- Ta bort skräp som samlats från området kring ljuddämparen och cylindern.
- Det är ett brott mot avsnitt 4442 av California Public Resource Code att använda eller köra motorn på eller i närheten av skog-, snår- eller grästäckt mark om inte avgassystemet utrustats med en gnistfångare som uppfyller gällande lokala eller delstatliga lagar. Andra delstater eller federala jurisdiktioner kan ha liknande lagar. Kontakta den ursprungliga tillverkaren, återförsäljaren eller säljaren av utrustningen, för att få en gnistfångare som är konstruerad för avgassystemet i denna motor.



Oavsiktliga gnistor kan resultera i brand eller stötar.

Oavsiktligt start kan resultera i intrassling, traumatisk amputation eller skärsår.

Brandrisk

Före justering eller reparation:

- Lossa tändstiftskabeln och håll den borta från tändstiftet.
- Koppla ifrån batteriet vid den negativa polen (enbart motorer med elektrisk start).
- Använd endast rätt verktyg.
- Justera INTE regulatorfjädrar, regulatorlänkar eller andra delar för att höja motorvarvtalet.
- Reservdelar måste vara av samma design och installeras på samma sätt som originaldelarna. Andra delar fungerar sannolikt inte lika bra, kan skada enheten och kan leda till skador.
- Slå inte på svänghjulet med hammare eller hårt föremål, eftersom svänghjulet då kan splittras under gång.

Vid kontroll av tändningssystem:

- Använd godkänd gnistprovare.
- Kontrollera inte motorns tändningssystem med tändstiftet nedmonterat.

Funktioner och reglage

Motorreglage

Jämför bilden (bild: 1, 2, 3) med din motor för att bekanta dig med de olika egenskapernas och reglagens placering.

- Motorbeteckning **Modell - Typ - Kod**
- Tändstift
- Bränsletank och lock
- Luftrenare
- Startmotorsnörets handtag
- Oljesticka
- Ljuddämpare, Ljuddämparskydd, (om sådant finns), gnistskydd, (om sådant finns)

- H. Luftintagsgaller
- I. Gasreglage, (i förekommande fall)
- J. Batteri (i förekommande fall)
- K. Bränslekran (i förekommande fall)
- L. Stoppkontakt (i förekommande fall)

Motorreglagesymboler och deras innebörd

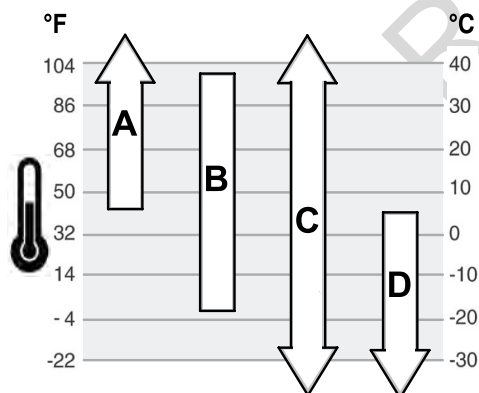
Symbol	Innebörd	Symbol	Innebörd
	Motorvarvtal - HÖGT		Motorvarvtal - LÅGT
	Motorvarvtal - STOPP		TILL - FRÅN
	Motorstart - choke STÄNGD		Motorstart - choke ÖPPEN
	Tanklock Bränslekran - ÖPPEN		Bränslekran - STÄNGD
	Bränslenivå - överfyll inte		

Användning Oljerekommendationer

Oljevolym Se avsnittet *Specifikationer*.

Vi rekommenderar användning av Briggs & Strattons garanterade oljor för bästa prestanda. Andra detergentolja av hög kvalitet är acceptabla om de är klassificerade för följande användningsområden: SF, SG, SH, SJ eller högre. Använd inga specialtillsatser.

Utomhustemperaturerna avgör rätt oljeviskositet för motorn. Använd tabellen för att välja rätt viskositet för den förväntade utomhustemperaturintervall.



A	SAE 30 – Under 4 °C (40 °F) blir det svårt att starta med SAE 30.
B	10W-30 – över 27 °C (80 °F) kan leda till ökad oljeförbrukning med 10W-30. Kontrollera oljenivån oftare.
C	Syntetisk 5W-30
D	5W-30

Kontrollera oljenivån

Se bild: 4

Före påfyllning eller kontroll av olja

- Se till att motorn står plant.
- Rengör oljepåfyllningsområdet från smuts.

1. Ta ut mätstickan (F, bild 4) och torka av den med en ren trasa.
2. Installera och dra åt mätstickan (A, bild 4).
3. Ta bort mätstickan och kontrollera oljenivån. Rätt oljenivå är överst på den fulla indikatorn (B, bild 4) på mätstickan.
4. Om oljenivån är lägre, fyll långsamt på olja i motoroljaeröret (C, bild 4). **Överfyll inte.** När oljan tillsatts, vänta en minut och kontrollera därefter oljenivån igen.
5. Sätt tillbaka och dra åt mätstickan (A, bild 4).

Bränslerekommendationer

Bränslet måste uppfylla dessa krav:

- Ren, färsk, blyfri bensin.
- Minst 87 oktan/87 AKI (91 RON). Användning på hög höjd, se nedan.
- Bensin med upp till 10 % etanol kan användas.

MÄRK Använd inte icke-godkänd bensin som E15 och E85. Blanda inte olja i bensin eller ändra motorn för att köra på alternativa bränslen. Användning av ej godkända bränslen ger motorskador som inte omfattas av garantin.

För att skydda bränslesystemet från att det bildas gummi, blanda i bränslestabilisator i bränslet. Se *Förvaring*. Allt bränsle är inte likadant. Om det blir problem med starten eller prestandan, byt bränsleleverantör eller byt varumärke. Denna motor är kalibrerad för att användas med bensin. Avgaskontrollsystemet för denna motor är EM (Engine Modifications).

Hög höjd

På höjder över 1 524 meter (5 000 fot), går minst 85 oktan/85 AKI (89 RON) bensin bra.

För förgasarmotorer krävs en höghöjdsjustering för att bibehålla prestandan. Användning utan denna justering leder till försämrade prestanda, ökad bränsleförbrukning och ökade utsläpp. Kontakta en godkänd försäljare av Briggs & Stratton för information om justering för hög höjd. Användning av motorn på höjder under 762 meter (2 500 meter) med höghöjdsjustering rekommenderas inte.

För motorer med elektronisk bränsleinsprutning krävs ingen höghöjdsjustering.

Fylla på bränsle

Se bilden: 5



Bränslet och dess ångor är extremt lättantändliga och explosiva.

Brand och explosion kan orsaka svåra brännskador eller dödsfall.

Vid tankning

- Stäng av motorn och låt den svalna under minst 2 minuter innan tanklocket tas av.
- Fyll bränsletanken utomhus eller i ett välventilerat utrymme.
- Överfyll inte tanken. För att bensinen ska kunna expandera, ska bränslet inte nå ovanför nederkanten på tankens hals.
- Ha inte gnistor, öppna lågor, indikatorlampor, värme och andra antändningskällor i närheten av bränsle.
- Kontrollera att det inte finns sprickor eller läckor på bränsleledningar, tank, lock och kopplingar. Byt vid behov.
- Låt utspillt bränsle förångas innan du startar motorn.

1. Rengör området runt tanklocket från smuts och skräp. Ta bort tanklocket.
2. Fyll på bränsletanken (A, bild 5) med bränsle. För att bränslet ska kunna expandera får man inte fylla på mer än till nederkanten av bränsletankens hals (B).
3. Sätt tillbaka tanklocket.

Starta och stanna motorn

Se bild: 6, 7, 8, 9

Starta motorn



VARNING

Snabb indragning av startsnöret (bakslag) drar hand och arm mot motorn innan man hinner släppa.

Kan leda till brutna ben, frakturer, blåmärken, o.d.

- När du startar motorn drar du långsamt i startlinan tills det tar emot och drar sedan snabbt för att inte bli skadad av att linan snabbt dras in.



VARNING

Bränslet och dess ångor är extremt lättantändliga och explosiva.

Brand och explosion kan orsaka svåra brännskador eller dödsfall.

När maskinen startas

- Se till att tändstift, spjäll, tanklock och luftrenare (i förekommande fall) sitter ordentligt på plats.
- Dra INTE runt motorn med tändstiftet urtaget.
- Om motorn flödar, ska choken sättas (i förekommande fall) i läget ÖPPEN/KÖR, gasen (i förekommande fall) flyttas till läget SNABB och dra i snöret tills motorn startar.



VARNING

VARNING FÖR GIFTIG GAS. Avgaser från motorn innehåller koloxid, som är en giftig gas som kan döda på bara några minuter. Koloxid är osynlig, smak- och luktlös. Även om du inte känner lukten av avgaser, kan du ändå utsättas för koloxidgas. Om du börjar känna dig illamående, yr eller matt när du använder produkten, ska du stänga av den och GENAST gå ut i frisk luft. Uppsök läkare. Du kan vara koloxidförgiftad.

- Använd ENDAST denna produkt utomhus, på avstånd från fönster, dörrar och ventiler för att minska risken för att koloxid ska ansamlas och eventuellt dras in i bemannade utrymmen.
- Montera batteridrivet koloxidlarm eller plugin-koloxidlarm med reservbatteri enligt tillverkarens anvisningar. Brandlarm kan inte detektera koloxidgas.
- Kör INTE produkten inomhus, i garage, källare, kryputrymmen, skjul eller andra delvis slutna utrymmen, även om fläktar används eller dörrar och fönster öppnas för ventilation. Koloxid kan snabbt ansamlas i den här typen av utrymmen och kan dröja kvar i timmar, även efter att produkten stängts av.
- Placera ALLTID denna produkt i lä och rikta avgasutsläppet bort från bemannade utrymmen.

MÄRK Motorn levereras från Briggs & Stratton utan olja. Fyll på olja enligt anvisningarna i handboken innan du startar motorn. Om du startar motorn utan olja skadas den på irreparabelt sätt och täcks inte av garantin.

Fastställ typ av startsystem

Se efter vilken typ av startsystem din motor är försedd med innan du startar motorn. Den har en av följande typer.

- ReadyStart®-system:** Dessa har en temperaturstyrd automatchoke. Den har inte någon manuell choke eller tändsystem.
- Choke:** De har choke som ska användas för att starta i låga temperaturer. Vissa modeller har ett separat chokereglage medan andra har kombinerade choke-/gasreglage. Dessa saknar snapsblåsa.

Följ anvisningarna för ditt startsystem.

Anm.: Maskinen kan ha fjärreglage. Var dessa sitter och hur de används beskrivs i bruksanvisningen till maskinen.

Ready Start®-systemet

- Kontrollera oljan. Se avsnittet **Kontrollera oljenivån**.
- Se till att maskinens reglage, i förekommande fall, är urkopplade.
- Öppna bränslekranen (A, bild 6), i förekommande fall.
- Flytta i förekommande fall gasreglaget (B, bild 6), till fullgas (FAST). Kör maskinen med fullgas (FAST).
- Tryck stoppbrytaren (D, bild 7), om sådan finns, till läge ON.
- Håll motorstopparmen (C, bild 8), om maskinen är försedd med sådan, mot handtaget.

- Snörstart, om sådan finns:** Håll hårt i handtaget på startsnöret (G, bild 6). Dra långsamt i startsnörets handtag tills det tar emot och dra snabbt.



VARNING

Drar du snabbt i startsnöret (bakslag) dras din hand och arm snabbare mot motorn än du hinner släppa taget. Kan leda till brutna ben, frakturer, blåmärken, o.d. När du startar motorn drar du långsamt i startlinan tills det tar emot och drar sedan snabbt för att inte bli skadad av att linan snabbt dras in.

- Elstart, om sådan finns:** Vrid startbrytaren till ON/START position.

MÄRK Gör bara korta startförsök (max. fem sekunder) så förlängs startmotorns livslängd. Vänta en minut mellan startförsöken.

Anm.: Vänd dig till närmaste återförsäljare eller gå till **BRIGGSandSTRATTON.com** eller ring **1-800-233-3723** (i USA) om motorn inte startar efter upprepade försök.

Chokesystem

- Kontrollera oljan. Se avsnittet **Kontrollera oljenivån**.
- Se till att maskinens reglage, i förekommande fall, är urkopplade.
- Öppna bränslekranen (A, bild 6), i förekommande fall.
- Flytta gasreglaget (B, bild 6), till fullgas FAST. Kör maskinen med fullgas (FAST).
- Stäng choken (CLOSED) (F, bild 9).

Anm.: Chokning behövs vanligtvis inte vid start av varm motor.

- Tryck stoppbrytaren (D, bild 9), om sådan finns, till läge ON.
- Håll motorstopparmen (C, bild 8), om maskinen är försedd med sådan, mot handtaget.
- Snörstart, om sådan finns:** Håll hårt i handtaget på startsnöret (G, bild 6). Dra långsamt i startsnörets handtag tills det tar emot och dra snabbt.



VARNING

Drar du snabbt i startsnöret (bakslag) dras din hand och arm snabbare mot motorn än du hinner släppa taget. Kan leda till brutna ben, frakturer, blåmärken, o.d. När du startar motorn drar du långsamt i startlinan tills det tar emot och drar sedan snabbt för att inte bli skadad av att linan snabbt dras in.

- Elstart, om sådan finns:** Vrid startbrytaren till ON/START position.

MÄRK Gör bara korta startförsök (max. fem sekunder) så förlängs startmotorns livslängd. Vänta en minut mellan startförsöken.

- För chokereglaget (F, bild 9) till OPEN / RUN när motorn värms upp.

Anm.: Vänd dig till närmaste återförsäljare eller gå till **BRIGGSandSTRATTON.com** eller ring **1-800-233-3723** (i USA) om motorn inte startar efter upprepade försök.

Stanna motorn



VARNING

Bränslet och dess ångor är extremt lättantändliga och explosiva.

Brand och explosion kan orsaka svåra brännskador eller dödsfall.

- Choka inte, i förekommande fall, förgasaren för att stoppa motorn.

- Stoppspak, om sådan finns:** Frigör stopparmen (E, bild 8).

Stoppkontakt, om sådan finns: Tryck stoppbrytaren (D, bild 7, 9) till läget OFF.

Gasreglage, om sådant finns: Ställ gasreglaget (B, bild 6) i läge STOP.

Elstartnyckel, om sådan finns: Vrid elstartnyckeln till OFF / STOP. Ta ur nyckeln och förvara den utom räckhåll för barn.

- Stäng (CLOSED) bränslekranen (A, bild 6), om sådan finns, när motorn stannat.

Underhåll

MÄRK Om maskinen tipsas under underhållsarbete, måste tanken tömmas och tändstiftssidan vara uppåtvänd. Om inte bränsletanken är tom och maskinen tipsas åt något håll, kan det vara svårt att starta på grund av att det har kommit olja eller bensin på luftfiltret och/eller tändstiftet.



VARNING

Vid underhåll som kräver tipping av maskinen måste bränsletanken måste vara tom, annars kan bränsle läcka ut och orsaka brand eller explosion.

Vi rekommenderar att du tar kontakt med en auktoriserad Briggs & Stratton-verkstad för underhåll och reparation av motorn och dess delar.

MÄRK Alla de komponenter som använts för att bygga denna motor, måste sitta kvar för korrekt drift.



VARNING

Oavsiktliga gnistor kan resultera i brand eller stötar.

Oavsiktlig start kan resultera i intrassling, traumatisk amputation eller skärsår.

Brandrisk

Före justering eller reparation

- Lossa tändstiftskabeln och håll den borta från tändstiftet.
- Ta bort batteripacken från batterifacket på motorn. I vissa fall kan batteripacken vara nyckeln till maskinen.
- Använd endast rätt verktyg.
- Justera INTE regulatorfjädrar, regulatorlänkar eller andra delar för att höja motorvarvtalet.
- Reservdelar måste vara av samma design och installeras på samma sätt som originaldelarna. Andra delar fungerar sannolikt inte lika bra, kan skada enheten och kan leda till skador.
- Slå inte på svänghjulet med hammare eller hårt föremål, eftersom svänghjulet då kan splittras under gång.

Vid kontroll av tändningssystem:

- Använd godkänd gnistprovare.
- Kontrollera inte motorns tändningssystem med tändstiftet nedmonterat.

Utsläppskontrollservice

Underhåll, byte eller reparation av avgaskontrollanordningar och system kan utföras av en verkstad eller person som reparerar motorer som inte är avsedda för väg. Men för att få utsläppskontrollservice "utan kostnad", måste arbetet utföras av en av tillverkaren godkänd säljare. Se Instruktioner om utsläppskontroll.

Underhållsschema

Före varje start
<ul style="list-style-type: none"> • Kontrollera motorns oljenivå • Rengör området runt ljuddämparen och reglagen • Rensa luftintagsgallret
Var 25:e timme eller en gång om året
<ul style="list-style-type: none"> • Rengör luftfiltret ¹ • Rengör förenaren, om sådan finns
Var 50:e timme eller en gång om året
<ul style="list-style-type: none"> • Underhåll av avgassystem
Årligen
<ul style="list-style-type: none"> • Byta tändstift • Byt luftfilter • Byt förenare, om sådan finns • Service av kylsystem ¹

¹ Rengör oftare i dammiga miljöer och där det finns luftburet skräp.

Förgasare och motorhastighet

Utför aldrig några justeringar på förgasaren eller motorns hastighet. Förgasaren ställdes in på fabriken för att fungera effektivt under de flesta förhållanden. Gör inga ändringar på regulatorfjädrar, länkar eller andra delar för att öka motorns hastighet. Om justeringar krävs, kontakta en godkänd försäljare av Briggs & Stratton för service.

MÄRK Utrustningens tillverkare specificerar den maximala hastigheten för motorn som installerats på utrustningen. **Överstig** inte hastigheten. Om du inte är säker på vilken maximal hastighet som gäller för utrustningen, eller vilken motorhastighet som fabriksinställts, kontakta en godkänd försäljare av Briggs & Stratton för assistans. För en säker och korrekt funktion av utrustningen ska motorns hastighet endast justeras av en kompetent servicetekniker.

Kontrollera tändstiftet

Se bild: 10

Kontrollera gapet (A, bild 10) med ett trådkalibreringssystem (B). Återställ gapet om det behövs. Installera och dra åt tändstiftet till rekommenderat åtdragningsmoment. För gapinställning eller åtdragningsmoment, se avsnittet **Specifikationer**.

Anm.: I vissa områden fordrar den lokala lagstiftningen användning av avstörda tändstift för att undertrycka tändsignaler. Om denna motor ursprungligen utrustats med ett avstört tändstift, bör samma typ av tändstift användas vid byte.

Demontering av avgassystem



VARNING

Motorer som körs producerar värme. Motordelar, speciellt ljuddämparen, blir extremt varma.

Svåra brännskador kan inträffa vid beröring.

Brännbart skräp, som t.ex. löv, gräs, buskar, etc. kan börja brinna.

- Låt ljuddämpare, motorcylinder och kylflänsar svalna innan du rör dem.
- Ta bort skräp som samlats från området kring ljuddämparen och cylindern.
- Det är ett brott mot avsnitt 4442 av California Public Resource Code att använda eller köra motorn på eller i närheten av skog-, snår- eller grästäck mark om inte avgassystemet utrustats med en gnistfångare som uppfyller gällande lokala eller delstatliga lagar. Andra delstater eller federala jurisdiktioner kan ha liknande lagar. Kontakta den ursprungliga tillverkaren, återförsäljaren eller säljaren av utrustningen, för att få en gnistfångare som är utformad för avgassystemet i denna motor.

Ta bort skräp som samlats från området kring ljuddämparen och cylindern. Kontrollera om ljuddämparen är sprucken, rostig eller skadad. Rengör flamskyddet och inspektera om det är skadat eller blockerat av kol. Om skada hittas, installera reservdelar innan någon drift.



VARNING

Reservdelar måste vara av samma design och installeras på samma sätt som originaldelarna. Andra delar fungerar sannolikt inte lika bra, kan skada enheten och kan leda till skador.

Byta motorolja

Se bild: 11, 12, 13



VARNING

Bränslet och dess ångor är extremt lättantändliga och explosiva.

Brand och explosion kan orsaka svåra brännskador eller dödsfall.

Motorer som körs producerar värme. Motordelar, speciellt ljuddämparen, blir extremt varma.

Svåra brännskador kan inträffa vid beröring.

- Bränsletanken måste vara tom om du tappar ut oljan ur oljeröret på översidan, bränsle kan annars läcka ut och orsaka brand eller explosion.
- Låt ljuddämpare, motorcylinder och kylflänsar svalna innan du rör dem.

Kontrollera oljenivån och fyll på vid behov. Se avsnittet kontrollera/fyll på olja. Oljan behöver inte bytas men följ anvisningarna nedan om du önskar göra det.

Använd olja är farligt avfall och måste avyttras korrekt. Blanda inte med hushållsavfall. Rådgrö med lokala myndigheter, servicecenter eller handlare.

Urtappning av olja

Oljan måste tappas från oljeröret på översidan.

- Med motorn avstängd men fortfarande varm, lossa tändstiftskabeln (D, bild 11) och håll den borta från tändstiftet (E).
- Ta ut oljestickan (A, bild 12).
- Om oljan tappas ut från ovasidans påfyllningsrör (C, bild 13), måste tändstiftssidan (E) på motorn hållas uppe. Tappa ut oljan i en godkänd behållare.



VARNING

Bränsletanken måste vara tom om du tappar ut oljan ur oljeröret på översidan, bränsle kan annars läcka ut och orsaka brand eller explosion. För att tömma bränsletanken ska motorn köras tills den stannar på grund av bränslebrist.

Påfyllning av olja

- Se till att motorn står plant.
 - Rengör området runt oljepåfyllningen.
 - Oljevolyten finns angiven i **avsnittet om olja i Data**.
- Ta ut oljestickan (A, bild 12) och torka av den med en ren trasa.
 - Håll långsamt på olja i motoroljeröret (C, bild 12). **Överfyll inte.** Vänta en minut och kontrollera oljenivån.
 - Sätt i och dra åt oljestickan (A, bild 12).
 - Ta ut oljestickan och kontrollera oljenivån. Rätt oljenivå är överst på fullmarkeringen (B, bild 12) på oljestickan.
 - Sätt tillbaka och dra åt oljestickan (A, bild 12).
 - Anslut tändkabeln (D, bild 11) på tändstiftet (E).

Rengöra luftfiltret

Se bild: 14



VARNING

Bränslet och dess ångor är extremt lättantändliga och explosiva.

Brand och explosion kan orsaka svåra brännskador eller dödsfall.

- Starta eller kör aldrig motorn utan luftrenare (i förekommande fall) eller luftfilter (i förekommande fall).

MÄRK Använd inte tryckluft för att rengöra filtret. Tryckluft kan skada filtret och lösningsmedel löser upp filtret.

Se **Underhållstabell** beträffande service.

Pappersluftfilter

- Öppna höljet (B, bild 14).
- Ta bort kåpan (C, bild 14).
- Ta bort förenaren (E, bild 14), om sådan finns, från filtret. Lossa skräp genom att knacka filtret lätt mot en hård yta. Är filtret väldigt smutsigt ska det bytas mot ett nytt.
- Tvätta förenaren i flytande tvättmedel och vatten. Sedan låt förenaren lufttorka helt. **Olja inte** in förenaren.
- Montera den torra förenaren, om sådan finns, på filtret.
- Installera filtret (C, bild 14).
- Stäng kåpan (B, bild 14).

Service av kylsystem



VARNING

Motorer som körs producerar värme. Motordelar, speciellt ljuddämparen, blir extremt varma.

Svåra brännskador kan inträffa vid beröring.

Brännbart skräp, som t.ex. löv, gräs, buskar, etc. kan börja brinna.

- Låt ljuddämpare, motorcylinder och kylflänsar svalna innan du rör dem.
- Ta bort skräp som samlats från området kring ljuddämparen och cylindern.

MÄRK Använd inte vatten för att rengöra motorn. Vatten kan förorena bränslesystemet. Använd en borste eller torr trasa för att göra rent motorn.

Detta är en luftkyld motor. Denna motor är luftkyld. Skräp och smuts kan hindra luftflödet och få motorn att överhettas, vilket ger sämre prestanda och förkortar livslängden.

- Avlägsna skräp från luftintaget med en borste eller torr trasa (A).
- Håll länkar, fjäder och reglage rena
- Ä Håll området runt och bakom ljuddämparen fria från antändbart skräp
- Se till att kylflänsarna (C) är fria från smuts och skräp.

Efter en tidsperiod kan skräp samlas i cylinderns kylflänsar och leda till en överhettning av motorn. Det här skräpet kan inte tas bort utan en delvis nedmontering av motorn. Se till att en godkänd försäljare av Briggs & Stratton kontrollerar och gör rent luftkylsystemet enligt instruktionerna i **Underhållningstabellen**.

Förvaring



VARNING

Bränslet och dess ångor är extremt lättantändliga och explosiva.

Brand och explosion kan orsaka svåra brännskador eller dödsfall.

Vid förvaring av bränsle eller maskin med bränsle i tanken

- Förvara inte i närheten av ugnar, spisar, vattenvärmare eller annan utrustning med tändlagor eller andra antändningskällor, eftersom de kan antända bränsleångor.

MÄRK Förvara maskinen plant (normalt arbetsläge). För ytterligare förvaringsinstruktioner, se utrustningens handbok.

Bränslesystem

Bränsle kan bli unket när det förvaras längre än 30 dagar. Unket bränsle orsakar att syra- och gummiavlagringar bildas i bränslesystemet eller på viktiga delar i förgasaren. För att bränslet ska hålla sig färskt, använd **Briggs & Stratton Advanced Formula Fuel Treatment & Stabilizer**, som finns överallt där originaldelar från Briggs & Stratton säljs.

Det är inte nödvändigt att tappa ut bensin från motorn om en bränslestabilisator tillsätts enligt anvisningarna. Kör motorn under två (2) minuter för att cirkulera stabilisatorn genom bränslesystemet innan den ska förvaras.

Har inte bensinen i motorn behandlats med en bränslestabilisator, måste den tappas ut i en godkänd behållare. Kör motorn tills den stannar av brist på bränsle. Vi rekommenderar att man använder bränslestabilisator i förvaringsbehållaren för att bränslet ska förbli färskt.

Motorolja

Oljan behöver inte bytas men om du önskar byta olja ska du göra det när motorn är varm. Se avsnittet **Byta motorolja**.

Felsökning

Vänd dig till närmaste återförsäljare eller gå till **BRIGGSandSTRATTON.com** eller ring **1-800-233-3723** (i USA) om du behöver hjälp.

Data

Modell: 100000	
Slagvolym	9.93 ci (163 cc)
Cylinderdiameter	2.688 in (68,28 mm)
Slaglängd	1.75 in (44,45 mm)
Oljevolyten	15 oz (.44 L)
Tändstiftsgap	.030 in (.76 mm)
Åtdragningsmoment, tändstift	180 lb-in (20 Nm)
Brytarluftgap	.006 - .014 in (.15 - .36 mm)
Ventilspegl, insug	.004 - .008 in (.10 - .20 mm)
Ventilspegl, avgas	.004 - .008 in (.10 - .20 mm)

Modell: 093J00	
Slagvolym	9.15 ci (150 cc)
Cylinderdiameter	2.583 in (65,60 mm)
Slaglängd	1.75 in (44,45 mm)
Oljevolyten	15 oz (.44 L)

Modell: 093J00	
Tändstiftsgap	.020 in (.51 mm)
Åtdragningsmoment, tändstift	180 lb-in (20 Nm)
Brytarluftgap	.006 - .014 in (.15 - .36 mm)
Ventilspegl, insug	.004 - .008 in (.10 - .20 mm)
Ventilspegl, avgas	.004 - .008 in (.10 - .20 mm)

Motoreffekten minskar 3,5 % för varje 300 meter över havsytan och 1 % för varje 5,6 °C över 25 °C. Motorn arbetar tillfredsställande i upp till 15° vinkel. Se maskintillverkarens instruktionsbok beträffande säkra arbetsgränser på slutningar.

Utbytesdelar - modell: 100000, 093J00	
Utbytesdel	Artikelnummer
Luftfilter (se bild 14)	593260
Förfilter (se bild 14)	594055
Olja – SAE 30	100113
Bränsleadditiv och bränslestabilisatorer	100117, 100120
Tändstiftsmotstånd (Modell 100000)	594056
Tändstiftsmotstånd (Modell 093J00)	692051
Tändstiftsnyckel	19576
Gnistprovare	19368

Vi rekommenderar att du tar kontakt med en auktoriserad Briggs & Stratton-verkstad för underhåll och reparation av motorn och dess delar.

Nominell effekt: Den nominella bruttoeffekten för enskilda bensinmotorer märks i enlighet med SAE:s (Society of Automotive Engineers) kod J1940, rutin för effekt- och vridmomentklassning för små motorer, och klassas i enlighet med SAE J1995. Vridmomentvärden härleds vid 2 600 RPM för de motorer som har "rpm" angivet på märkningen och 3 060 RPM för alla andra. Hästkraftvärden härleds vid 3 600 RPM. Bruttoeffektkurvorna kan ses på www.BRIGGSandSTRATTON.COM. Nettoeffektvärdena tas med avgas- och luftrenare installerade, medan däremot bruttoeffektvärdena samlas in utan dessa tillbehör. Motorernas verkliga bruttoeffekt blir högre än motorernas nettoeffekt och påverkas bl.a. av miljömässiga arbetsförhållanden och variationer i olika motorer. Med tanke på det breda utbudet produkter i vilka motorer monteras, är det inte säkert att bensinmotorer utvecklar den klassificerade bruttoeffekten när den när den körs i en viss utrustning. Skillnaden beror på ett antal faktorer, bland annat, men inte begränsat till olika motordelar (luftrenare, avgassystem, laddning, kylning, förgasare, bensinpump osv.), begränsning i tillämpningen, miljömässiga körförhållanden (temperatur, luftfuktighet, höjd över havet) och variationer i olika motorer. På grund av tillverknings- och kapacitetsbegränsningar kan Briggs & Stratton byta till en motor med högre effekt för denna motorserie.

Garanti

Garanti för Briggs & Stratton-motorer

Gäller från Januari 2016

Begränsad garanti

Briggs & Stratton garanterar att under den garantiperiod som specificeras nedan, kostnadsfritt reparera eller byta ut, felaktiga delar vad gäller material eller arbete eller både och. Köparen står själv för transportkostnaden för produkt som lämnats in för reparation eller utbyte. Garantin gäller under nedan angivna perioder och enligt nedan angivna villkor. För garantiservice, vänd dig till den närmaste auktoriserade serviceverkstaden som du hittar på vår återförsäljarkarta på BRIGGSandSTRATTON.COM. Köparen måste kontakta den auktoriserade servicehandlaren och sedan göra produkter tillgängliga för den auktoriserade servicehandlaren för inspektion och test.

Ingen annan uttrycklig garanti lämnas. Implicita garantier, inklusive garantier avseende säljbarhet och lämplighet för ett visst syfte, är begränsade till nedan angiven garantiperiod eller till den omfattning som lagen medger. VI ANSVARAR INTE FÖR OLYCKOR ELLER FÖLJDSKADOR, TILL DEN UTSTRÄCKNING SOM DETTA UNDANTAG TILLÅTS ENLIGT LAG. Vissa länder eller delstater medger inte begränsning av hur länge en underförstådd garanti gäller och vissa tillåter inte undantagande eller begränsning av ansvaret för följskador, så ovanstående gäller därför inte alla köpare. Denna garanti ger specifika legala rättigheter, men det kan även finnas andra rättigheter som varierar från land till land eller stat till stat ⁴.

Standard garantivillkor 1, 2

Märke / Produkttyp	Privat användning	Kommersiell användning
Vanguard™ ³	36 månader	36 månader

Standard garantivillkor 1, 2

Turf Series™ för yrkesmässig användning ; Proffsserien	24 månader	24 månader
Motorer med Dura-Bore™ gjutjärnsfoder	24 månader	12 månader
Alla andra Briggs & Stratton-motorer	24 månader	3 månader

¹ Dessa är våra standard garantivillkor men ibland kan ytterligare garantitäckning finnas som inte var fastställda vid publiceringen. För en lista över aktuella garantivillkor för din motor, gå till BRIGGSandSTRATTON.com eller kontakta din Briggs & Stratton godkända försäljare.

² Det finns ingen garanti för motorer på utrustningar som används för primäreffekt istället för anslutning till elnätet eller för reservgeneratorer för kommersiellt bruk. Motorer som används i tävlingsssyfte eller på tävlingsbanor täcks inte av garantin.

³ Vanguard installerade på reservgeneratorer: 24 månaders konsumentbruk, ingen garanti för kommersiellt bruk. Vanguard installerade på nyttofordon: 24 månaders konsumentbruk, 24 månader för kommersiellt bruk. Vanguard trecylindrig, vätskekyld: Se garantivillkor för Briggs & Stratton 3/LC-motorer.

⁴ I Australien - våra produkter omfattas av garantier som inte kan fränkrivas enligt Australiensisk konsumentlag. Du har rätt till en ersättning eller återbetalning vid ett betydande fel och till kompensation vid annan rimlig förturbar förlust eller skada. Du har även rätt till att få varorna reparerade eller utbyta om varorna inte är av acceptabel kvalitet och felet inte uppgår till ett betydande fel. För garantiservice, kontakta närmaste auktoriserade serviceverkstad på vår återförsäljarkarta på BRIGGSandSTRATTON.com, eller genom att ringa 1300 274 447, eller skicka e-post eller brev till salesenquires@briggsandstratton.com.au. Briggs & Stratton Australia Pty Ltd, 1 Moorebank Avenue, Moorebank, NSW, Australia, 2170.

Garanti perioden börjar inköpsdagen för privatkunder och företagskunder. "Privat bruk" avser personligt bruk i hemmet av privatperson. "Kommersiellt bruk" avser all annan användning, inklusive affärsrelaterad, yrkesmässig användning eller uthyrning. En motor som en gång har använts kommersiellt, ska därefter alltid betraktas som kommersiell i samband med denna garanti.

Spara inköpskvittot. Om inköpskvittot inte kan uppvisas vid yrkan på garantireparation, kommer produktens tillverkningsdatum att användas för att bestämma garantiperioden. Produkter från Briggs & Stratton behöver inte registreras för att du ska ha rätt till garantiservice.

Angående garantin

Denna garanti täcker endast motorrelaterat defekt material och/eller utförande och täcker inte utbyte av eller ersättning för den maskin på vilken motorn kan vara monterad. Rutinunderhåll, trimningar, justeringar eller normalt slitage täcks inte av den här garantin. Garantin gäller inte likaledes om motorn har ändrats eller manipulerats eller om motorernas serienummer har raderats eller tagits bort. Den här garantin täcker inte motorskador eller prestandaproblem som orsakas av:

1. delar som inte är Briggs & Stratton originaldelar;
2. en användning av motorn med otillräcklig, förorenad eller dålig kvalitet på smörjoljan;
3. en användning av förorenad eller gammalt bränsle, diesel med en etanolhalt som överstiger 10 % eller användning av bränslen som motogas eller naturgas på motorer som inte ursprungligen konstruerats/tillverkats av Briggs & Stratton för en funktion med sådana bränslen;
4. smuts som trängt in i motorn på grund av ett dåligt underhåll av luftfiltret eller dålig återmontering;
5. slag mot föremål med kniven på rotorgräsklippare, lösa eller dåligt installerade bladadapterar, pumphjul eller andra vevaxelkopplade enheter eller för hårt spänd kilrem;
6. tillbehör eller enheter som t.ex. kopplingar, växellådor, utrustningsreglage, osv., som inte levereras av Briggs & Stratton;
7. överhettning p.g.a klippt gräs, smuts och skräp eller gnagarnästen som täpper till kylfångarna eller svänghjulets område eller när motorn används utan en tillräcklig ventilation;
8. för hög vibration på grund av en för hög hastighet, lös montering av motorn, lösa eller obalanserade knivar eller pumphjul eller dålig koppling av utrustningens komponenter till vevaxeln;
9. felaktig användning, dåligt löpande underhåll, transport, hantering eller förvaring av utrustningen eller dålig installation av motorn.

Garantiservice tillhandahålls endast genom Briggs & Stratton auktoriserade verkstäder. Lokalisera din närmaste godkända försäljare på vår återförsäljarkarta på BRIGGSandSTRATTON.COM eller genom att ringa 1-800-233-3723 (i USA).

80004537 (Rev.B)

Not for
Reproduction

Not for
Reproduction



Not for
Reproduction